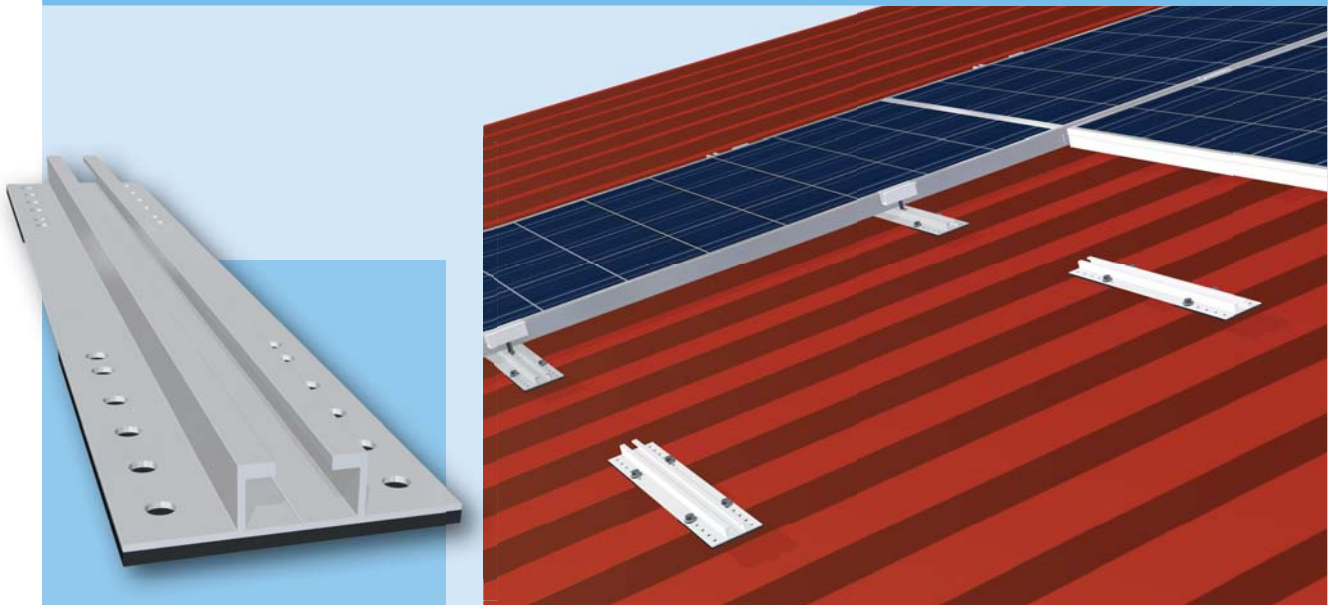




ALTEC SD_*TRAFIX-V-SELECT*

Trapezoidal roof system for vertical PV installation

10-year warranty
on quoted complete systems



- Direct fastening to sheet metal
- **Can be used universally** on almost all trapezoidal sheet roofing
- Suitable for keeping in stock at all times, as the multiple holes fit most sheets
- Quick and easy to install
- Low material cost with an **excellent price-performance ratio**

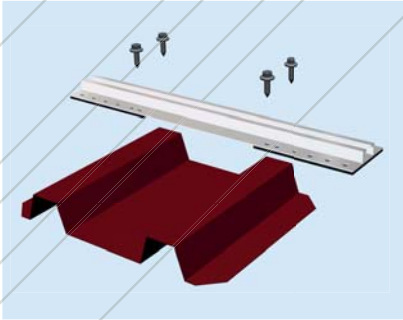
Description

For urgent projects on trapezoidal roofs with module installed vertical, this mounting system means you can work cost-effectively and flexibly. The innovative mounting profile made of lightweight and corrosion-resistant aluminium saves on material costs and speeds up installation. Doing away with long mounting rails makes shipping fast and cost-effective. Combined with our middle and end clamps, the components work together to ensure a high degree of structural stability.

You can mount every module width with ease, because you can choose to position the solar modules at any point on the rail. The system works with most common ledge spacings (see table). ALTEC SD_*TRAFIX-V-SELECT* can be used in wind load zones 1 to 3 without further analysis. Projects in wind load zone 4 can be assessed on a case-by-case basis on request.



ALTEC SD *TRAFIX-V-SELECT* Product Sheet



The profile rail is placed on the ledges, aligned and bolted to the trapezoidal sheet.



Installation parallel to the roof

The short rails are delivered pre-drilled. To ensure an optimum seal, the holes are covered with 2mm-thick EPDM tape on the bottom, so that no water can penetrate. The supplied thin sheet metal screws are suitable for steel sheet from 0.5 to 1.25 mm thick and for aluminium sheet from 0.5 to 1.5 mm thick.

Installation is very simple - the pre-drilled holes mean that the rails can easily be fastened to the centre of the raised ledge on the trapezoidal sheet using the thin sheet metal screws supplied. The screws are material-displacing, so drilling creates almost no swarf. The modules are then put in place, aligned and fastened using the module clamps. The module clamp must be mounted between the holes.

All pre-assembled ALTEC module clamps can be used with the rail – choose clamps to match your module height. You can use the system to fasten framed modules with a frame height of 30-50mm reliably.

ALTEC SD *TRAFIX-V-SELECT*

- Item No. 1TVE17737500
with EPDM tape applied, including thin sheet metal screws 6.0 × 25
(4 pieces, Item No. 4BSRP0206025)

For ledge spacings:

- 177 · 280
- 183 · 305
- 190 · 310
- 207 · 315
- 214 · 333
- 250 · 350
- 275 · 375

For trapezoidal sheets:

Steel	0.5-1.25
Aluminium	0.5-1.5

Notes on structural stability:

The roof must support the additional loads from installation. Sheets must have a minimum sheet thickness to comply with the technical approval for the thin sheet metal screws.

When fastened to sandwich elements, the layers must be adequately secured (manufacturer approval required).

Thermal expansion must to be accounted for separately.