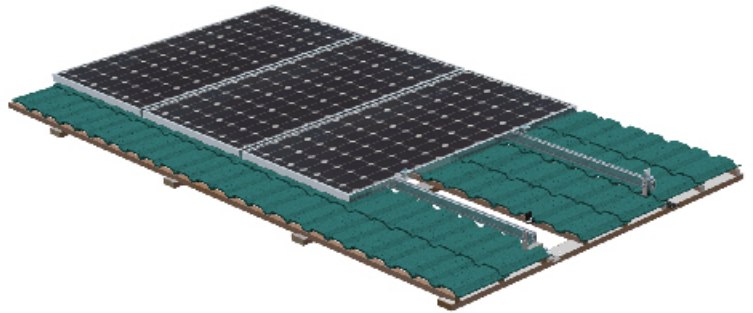


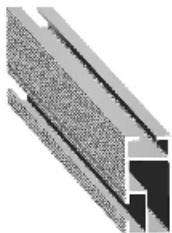
## ● Brief Introduction

- 1) Suitable to tile roof solar system installation.
- 2) Simply design and pre-assembled parts achieve faster installation. Help to save labor cost and time.
- 3) Customized can be made. Aluminum and stainless steel material guaranteed with long lifetime.

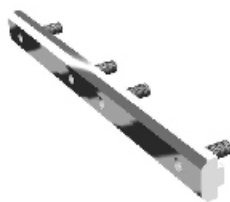


Technical Parameters:	
Application:	Various of Pitch Tile Roof
Tilt:	0° - 45°
Module Layout:	Landscape or Portrait
Wind Load:	≤46m/s
Snow Load:	0.5kn/m <sup>2</sup> -1.4kn/m <sup>2</sup>
Design Criteria:	ISO9001; CE; SGS; AS/NZ1170
Material:	Al 6063-T5; SUS304

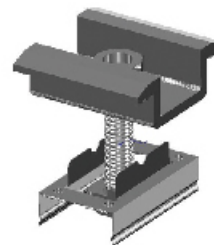
## ● Component Parts



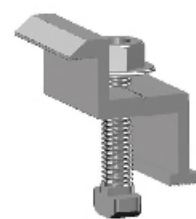
Mounting Rail



Rail Connector



Mid Clamp Kits



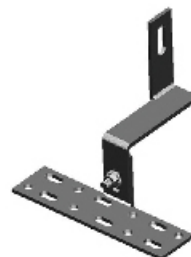
End Clamp Kits



Tapping Screw



Hook 1/SUS304



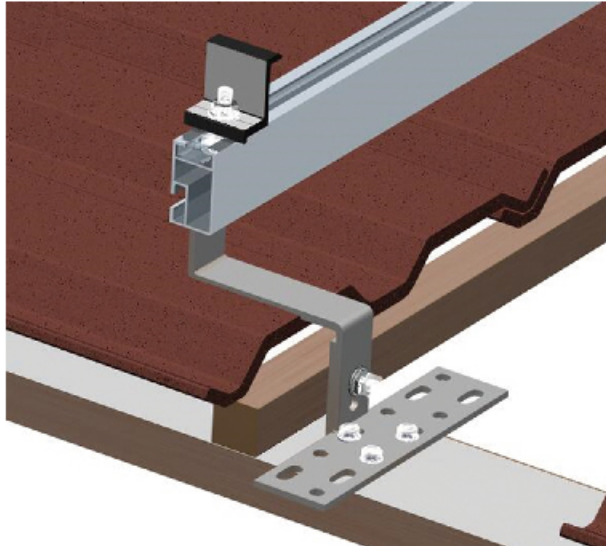
Hook 2/SUS304



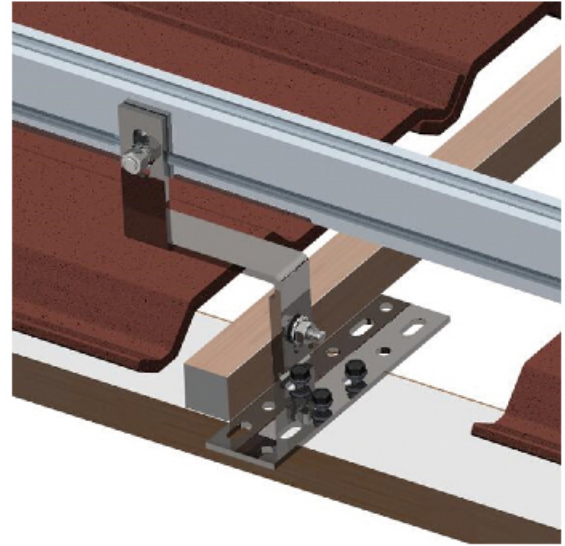
Aluminum Hook

# CS-RM-Tile Roof

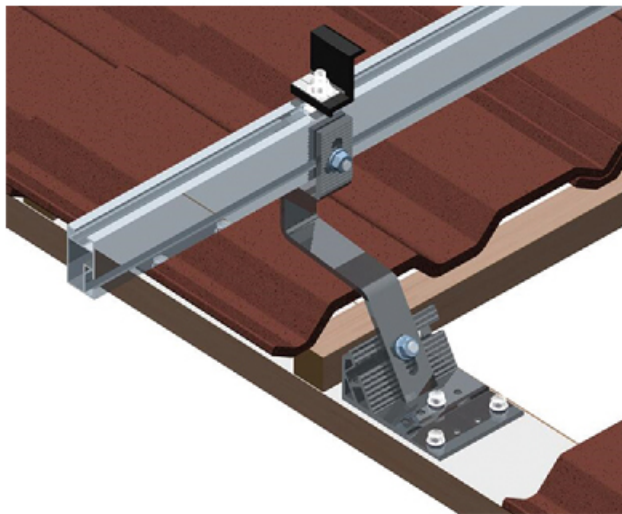
## ● Detailed View of Hook Installation



Hook 1 - Portrait Layout



Hook 2 - Landscape Layout



Aluminum Hook - Portrait Layout