













NEWPRO® 50Wp Solar Home Power System

Model	Solar Panel	Control/Inverter	Battery	Application Load
50Wp Solar System	50W/18V 1pcs	S-NPC250-12	38AH/12V 1pcs	Lighting  Mobile Charge  Radio 
	 18VDC →	 ↓ AC220/50Hz	← 12VDC 	
	18V 50W	Output 220V 150W	12V 38AH	







The system power supply daily 250Wh~320Wh, Output:220V/50Hz; 150W

NEWPRO® 100Wp Solar Home Power System

Model	Solar Panel	Control/Inverter	Battery	Application Load
100Wp Solar System	100W/18V 1pcs	S-NPC500-12	80AH/12V 1pcs	Lighting  Radio  S-TV 
	 18VDC →	 ↓ AC220/50Hz	← 12VDC 	
	18V 100W	Output 220V 250W	12V 80AH	




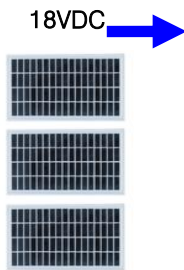

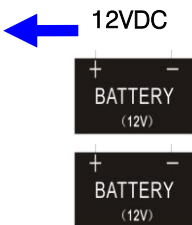
The system power supply daily 500Wh~650Wh, Output:220V/50Hz; 250W

NEWPRO® 200Wp Solar Home Power System

Model	Solar Panel	Control/Inverter	Battery	Application Load
200Wp Solar System	100W/18V 2pcs	S-NPC600-12	80AH/12V 2pcs	Lighting  TV  VCD/DVD 
	 18VDC →	 ↓ AC220/50Hz	← 12VDC 	
	Connect to 18V 200W	Output 220V 350W	Connect to 12V 160AH	






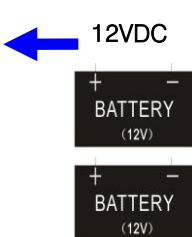
The system power supply daily 1000Wh~1300Wh, Output:220V/50Hz; 350W

NEWPRO® 300Wp Solar Home Power System

Model	Solar Panel	Control/Inverter	Battery	Application Load
300Wp Solar System	100W/18V 3pcs	S-NPC800-12	120AH/12V 2pcs	 Lighting  Fan  TV
				
	Connect to 18V 300W	Output 220V 450W	Connect to 12V 240AH	






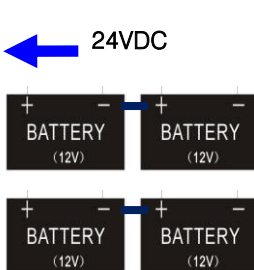
The system power supply daily 1500Wh~1900Wh, Output:220V/50Hz; 450W

NEWPRO® 500Wp Solar Home Power System

Model	Solar Panel	Control/Inverter	Battery	Application Load
500Wp Solar System	125W/18V 4pcs	S-HPS1000-12	200AH/12V 2pcs	 Lighting  TV  HI-FI
				
	Connect to 18V 500W	Output 220V 600W	Connect to 12V 400AH	





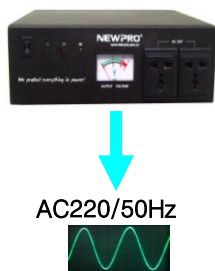
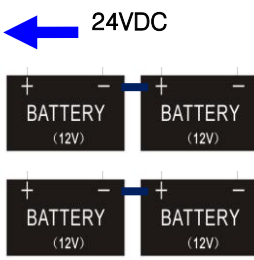
The system power supply daily 2500Wh~3200Wh, Output:220V/50Hz ,Pure Sine Wave,600W

NEWPRO® 600Wp Solar Home Power System

Model	Solar Panel	Control/Inverter	Battery	Application Load
600Wp Solar System	150W/36V 4pcs	S-HPS1000-24	120AH/12V 4pcs	 Lighting  TV  PC
				
	Connect to 36V 600W	Output 220V 700W	Connect to 24V 240AH	







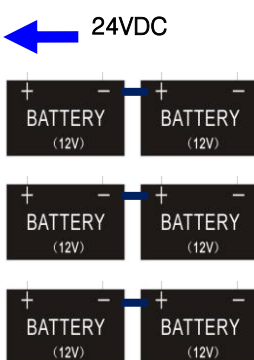
The system power supply daily 3000Wh~3900Wh, Output:220V/50Hz ,Pure Sine Wave,700W

NEWPRO® 800Wp Solar Home Power System

Model	Solar Panel	Control/Inverter	Battery	Application Load
800Wp Solar System	200W/36V 4pcs	S-HPS1500-24	150AH/12V 4pcs	 Lighting  TV  Fridge
				
	Connect to 36V 800W	Output 220V 1000W	Connect to 24V 300AH	








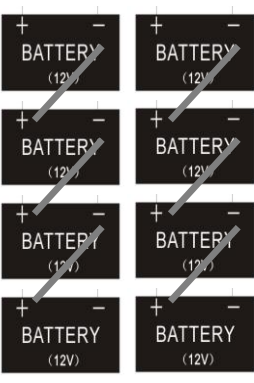
The system power supply daily 4000Wh~5200Wh, Output:220V/50Hz ,Pure Sine Wave,1000W

NEWPRO® 1000Wp Solar Home Power System

Model	Solar Panel	Control/Inverter	Battery	Application Load
1000Wp Solar System	200W/36V 5pcs	S-HPS2000-24	120AH/12V 6pcs	 Lighting  TV  Fan  Fridge
				
	Connect to 36V 1000W	Output 220V 1300W	Connect to 24V 360AH	








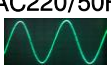
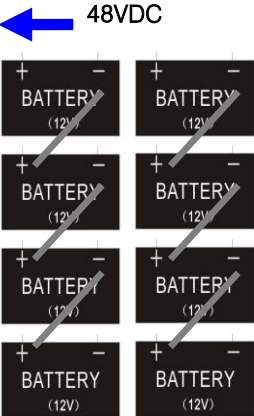
The system power supply daily 5000Wh~6500Wh, Output:220V/50Hz ,Pure Sine Wave,1300W

NEWPRO® 1500Wp Solar Home Power System

Model	Solar Panel	Control/Inverter	Battery	Application Load
1500Wp Solar System	250W/36V 6pcs	S-HPS2500-48	150AH/12V 8pcs	 Lighting  TV  Rice Cooker  Fridge
	 <p>72VDC →</p>	 <p>↓</p> <p>AC220/50Hz</p> 	 <p>← 48VDC</p>	
	Connect to 72V 1500W	Output 220V 1800W	Connect to 48V 300AH	








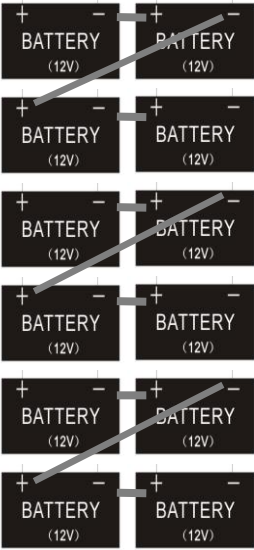
The system power supply daily 7500Wh~9500Wh, Output:220V/50Hz ,Pure Sine Wave,1800W

NEWPRO® 2000Wp Solar Home Power System

Model	Solar Panel	Control/Inverter	Battery	Application Load
2000Wp Solar System	250W/36V 8pcs	S-NPS3000-48	200AH/12V 8pcs	 Lighting  TV  HI-FI  Air Conditioner  Air Conditioner
	 <p>72VDC →</p>	 <p>↓</p> <p>AC220/50Hz</p> 	 <p>← 48VDC</p>	
	Connect to 72V 2000W	Output 220V 2400W	Connect to 48V 400AH	

The system power supply daily 10000Wh~13000Wh, Output:220V/50Hz ,Pure Sine Wave,2400W

NEWPRO® 3000Wp Solar Home Power System

Model	Solar Panel	Control/Inverter	Battery	Application Load
3000Wp Solar System	250W/36V 12pcs	S-NPS5000-48	200AH/12V 12pcs	 Lighting  TV  Fridge   Air Conditioner
	 <p>72VDC →</p> <p>Connect to 72V 3000W</p>	 <p>AC220/50Hz</p> <p>Output 220V 4000W</p>	 <p>← 48VDC</p> <p>Connect to 48V 600AH</p>	

The system power supply daily 15000Wh~19500Wh, Output:220V/50Hz ,Pure Sine Wave,4000W

NEWPRO ELECTRIC CONVERT CORP.

Tel: 0757-88391319 ; 88391329 ; 88391339 Fax: 0757-88391323

Website: <http://www.newprofs.com> Email: fsnewpro@126.com

We protect everything in power !