

FMJ Series

6FMJ-120 12V120Ah

FMJ series gel batteries utilize advanced battery technology. FMJ has good cyclic performance and high reliability. It is the economical choice for solar photovoltaic street lights, garden and lawn lamps, traffic lights, warning lights and other energy storage systems.



Benefits

- Long life according to EUROBAT Classification
- High discharge performance
- High gas recombination efficiency
- Maximum charge efficiency
- GEL state electrolyte prevents leakage and layering
- Low resistance PVC-SiO₂ micro-porous separator ensure low self-discharge rate
- Easy installation and handling

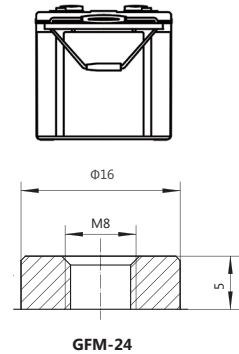
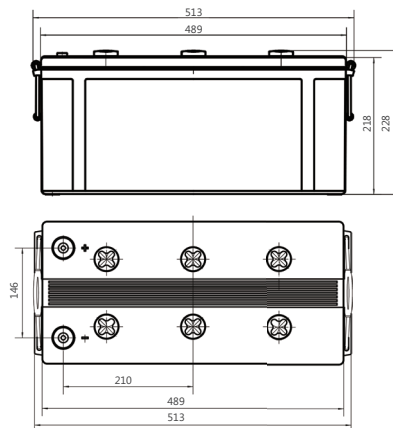
Applications

- Telecommunications
- Emergency power
- Energy storage systems
- UPS units
- Electrical Power plants and substation

Standards

- IEC 60896-21/22
- IEC 61427
- DIN 43539-T5
- EUROBAT guide

Drawing



Specifications

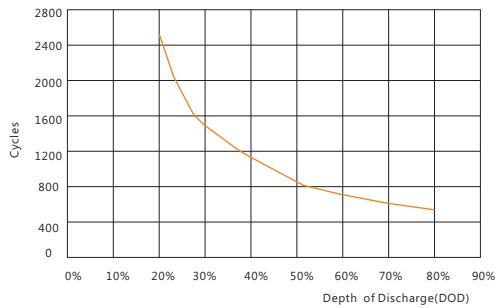
Battery Model	6FMJ-120			
Design Life (years, 25°C)	10			
Capacity (Ah, 25°C)	10HR (12A, 1.80V)	5HR (20.4A, 1.80V)	3HR (30A, 1.80V)	1HR(60A, 1.80V)
	120	102	90	60
Dimensions (mm)	Length	Width	Height	Total Height
	513	232	218	228
Approx. Weight (kg)	47.0			
Reference Internal Resistance (mΩ)	3.66 (fully charged @ 25°C)			
Maximum Discharge Current (A/3 Sec.)	1196			
Self-Discharge (25°C)	≤ 2% per month			
Charge Voltage (V/cell, 25°C)	Cycle use		Float use	
	2.33 (-3.5mV/°C/cell), max charge current: 24A		2.22 (-3.5mV/°C/cell)	
Short Circuit Current (A)	2980			

Discharge Data

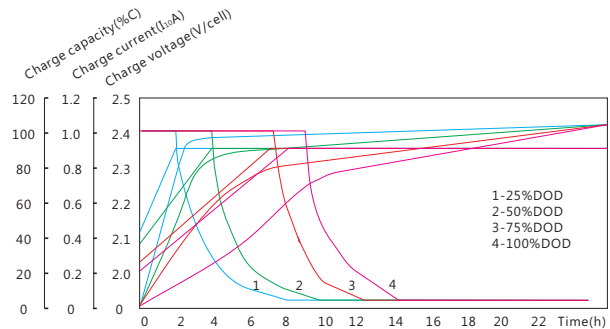
Constant Current Discharge Data (25°C, A)																		
End Voltage (V/cell)	min						h											
	5	10	15	20	30	45	1	1.5	2	3	5	10	20	24	48	100	120	240
1.60	328.5	239.4	186.5	156.4	114.3	83.6	64.5	52.8	40.5	30.8	21	12	6.35	5.43	2.86	1.47	1.28	0.69
1.65	311.6	231	182.9	154	113.1	82.9	63.6	52.1	40.5	30.8	21	12	6.35	5.43	2.86	1.47	1.28	0.69
1.70	293.5	218.9	179.2	150.4	111.8	81.8	62.6	51.3	40.5	30.8	21	12	6.35	5.43	2.86	1.47	1.28	0.69
1.75	271.9	203.4	173.3	144.5	108.3	80.4	61.7	50.6	40.5	30.8	21	12	6.35	5.43	2.86	1.47	1.28	0.69
1.80	232.2	185.2	162.4	134.8	102.3	78.9	60.0	49.2	39.3	30.0	20.4	12	6.12	5.17	2.86	1.47	1.28	0.69

Constant Power Discharge Data (25°C, W/cell)																		
End Voltage (V/cell)	min						h											
	5	10	15	20	30	45	1	1.5	2	3	5	10	20	24	48	100	120	240
1.60	591.6	443.2	347.9	292	218.8	164.5	128.2	99.6	78	56.5	38.6	22.8	12.2	10.98	5.83	3	2.64	1.4
1.65	550.3	426.8	340.2	288.5	216.8	163.1	125.9	98.9	78	56.5	38.6	22.6	12.2	10.98	5.83	3	2.64	1.4
1.70	503.2	403.3	328.8	282.6	213.8	160.8	125.9	97.9	78	56.5	38.6	22.6	12.2	10.98	5.83	3	2.64	1.4
1.75	503.2	403.3	328.8	282.6	213.8	160.8	125.9	97.9	78	56.5	38.6	22.6	12.2	10.98	5.83	3	2.64	1.4
1.80	463.8	373.8	318.6	271.9	208.3	157.1	123.6	97	78	56.5	38.6	22.3	12.2	10.56	5.83	3	2.64	1.4

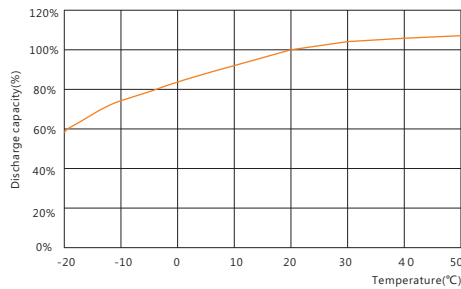
Performance Curve



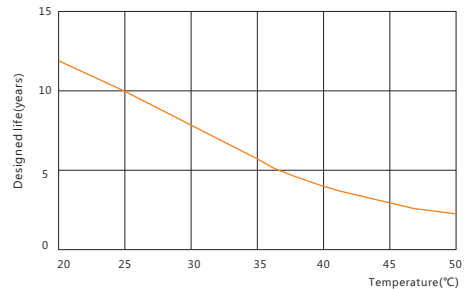
Cycle life vs. discharge depth



Charge vs. discharge depth



Capacity vs. temperature



Design life vs. temperature

Sacred Sun Power Sources Co., Ltd.

No.1 Shengyang Road Qufu City, PRC
sales@sacredsun.cn

Sacred Sun Asia Pacific

No. 15, Yishun Industrial Street 1,
#01-17, WIN5, Singapore 768091
sales.asia@sacredsun.cn

Sacred Sun Europe SPRL

Schoenstraat 96-9140 Temse, Belgium
sales.eu@sacredsun.cn

Sacred Sun MEA FZE

S10122A1019 Jebel Ali, Dubai,
United Arab Emirates
sales.mea@sacredsun.cn

