



GEL1270AG

NON-SPILLABLE RECHARGEABLE SEALED LEAD ACID BATTERY



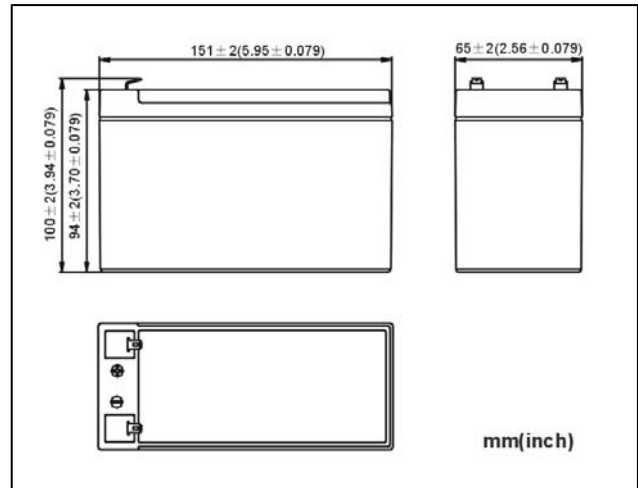
FEATURES

- Design with flat plate, GEL electrolyte and AGM separator technology;
- GEL electrolyte inside of battery keeps uniformity condition, battery is with excellent cycle life;
- GEL electrolyte has huge thermal capacity, thermal runaway phenomena never occur;
- High strength ABS material for container & lid;
- Wide temperature scope of application ($-15 \sim 45^{\circ}\text{C}$). Best temperature of application ($20 \pm 5^{\circ}\text{C}$);
- No leaking, safe and reliable;
- Standing or lying down for using, convenient to transport and install;
- Low self-discharge rate.

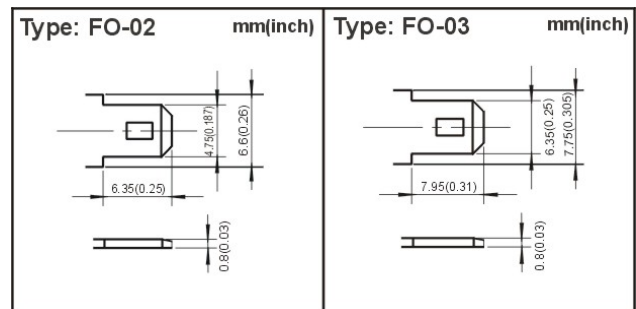
SPECIFICATIONS

Nominal Voltage	12V	Capacity	C ₂₀	7Ah (10.5V, at 25°C)
Nominal Capacity (C ₂₀)	7Ah (10.5V, at 25°C)		C ₁₀	6.3Ah (10.5V, at 25°C)
Dimension	Length 151mm		C ₃	5.25Ah (10.5V, at 25°C)
	Width 65mm		C ₁	4.2Ah (10.2V, at 25°C)
	Height 94mm	Internal Resistance		Approx. 25 mΩ (25°C)
	Total Height 100mm	Max Short-duration Discharge Current		210 A(25°C)
Weight	Approx. 2.4 kg	Terminal		FO-02/FO-03

DIMENSION



TERMINAL



GEL1270AG

NON-SPILLABLE RECHARGEABLE SEALED LEAD ACID BATTERY

■ CHARGE

Using Mode	Charging Voltage	Temperature Compensation	Max Charging Current
Standby Use	2.275±0.025V/cell (25°C)	-3.3mV/°C/cell	2.1A
Cyclic Use	2.45±0.05V/cell (25°C)	-5mV/°C/cell	

■ STORAGE

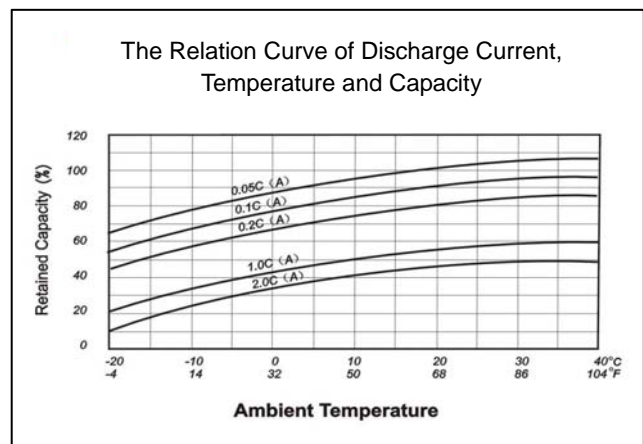
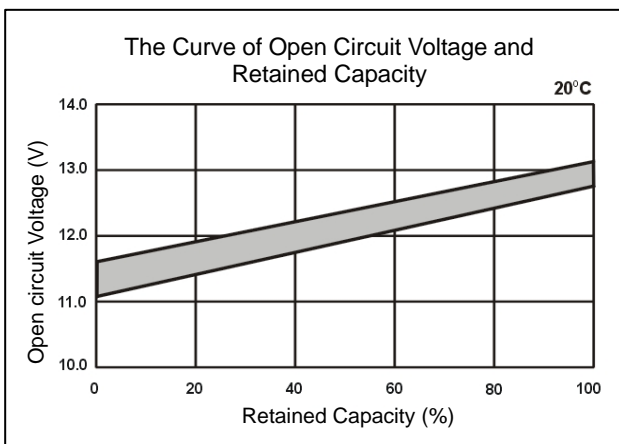
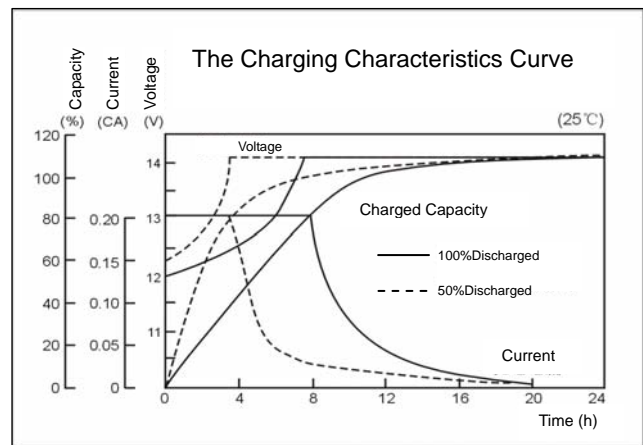
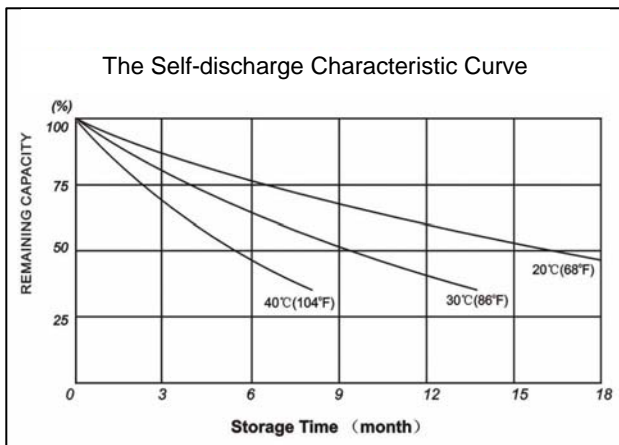
- Batteries should be stored in dry and clean warehouse which has good air exchange system. Batteries should avoid direct sunlight. Batteries should not be near to heat (such as radiator, the distance should more than 1m). Batteries should avoid any toxic gas and organic solvent.
- When the ambient temperature is less than 25°C, the longest storage life is 6 months. If ambient temperature is higher, the longest storage life varies as specified in below chart.

Storage Temperature (°C)	≤25	26~33	34~40
Storage Time (Month)	6	3	1

- Batteries should be recharged within the storage life or before using.

Charging methods: maximum charging current 2.1A, constant voltage 2.45±0.05V/cell (25°C);

Charging time: 15~20h; Temperature compensation coefficient: -5mV/°C/cell.



Issue: SC-GEL1270AG-001-CGB-201402. For the improvement of products and technology, and the appearance of the specifications are subject to change without prior notice. The company has the right of final interpretation.