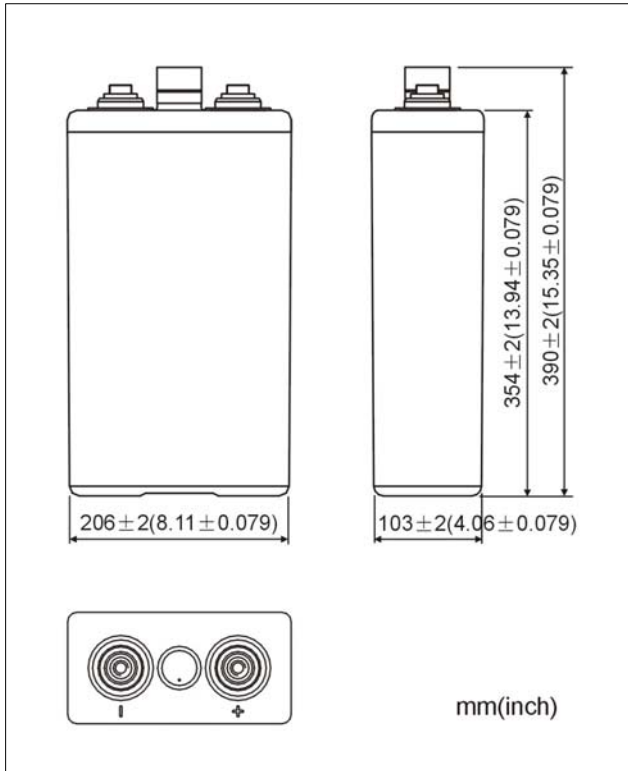


4 OPzV200

NON-SPILLABLE RECHARGEABLE SEALED LEAD ACID BATTERY

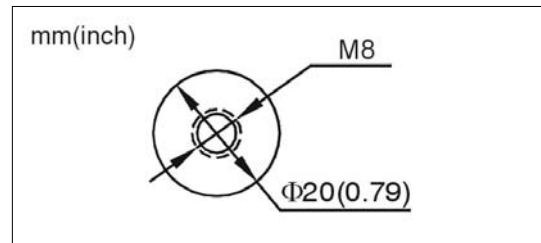
■ DIMENSION



■ FEATURES

- Sealed and Non-Spillable construction design;
- Safety valve installation for explosion proof;
- ABS containers and covers (UL94 V0, optional);
- Maintenance free operation;
- Lowest self-discharge characteristic;
- High quality and high reliability;
- Super long service life.

■ TERMINAL



■ SPECIFICATIONS

Nominal Voltage	2V	Nominal Capacity (C ₁₀)	200Ah (1.80V @ 20°C)	
Dimension	Length 103mm	Weight	Approx. 16.5 kg	
	Width 206mm	Max Charging Current	40A	
	Height 354mm	Internal Resistance	Full charged@20°C: 0.00095 Ohm	
	Total Height 390mm	Self Discharge	2% of capacity declined per month@20°C	
Capacity Affected by Temp. (10HR)	40°C	20°C	0°C	-15°C
	109%	100%	85%	65%

■ CHARGE

Using Mode	Cycle use	Float use
Charge Voltage (20°C)	2.35~2.40V(-5mV/°C)	2.25~2.29V(-3mV/°C)



4 OPzV200

NON-SPILLABLE RECHARGEABLE SEALED LEAD ACID BATTERY

■ CONSTANT CURRENT DISCHARGE CHARACTERISTICS

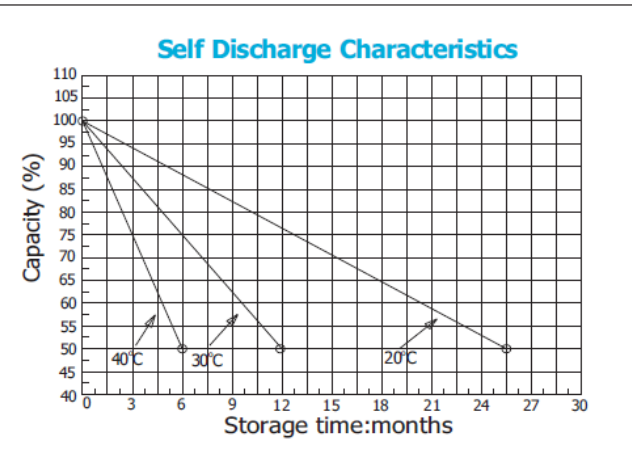
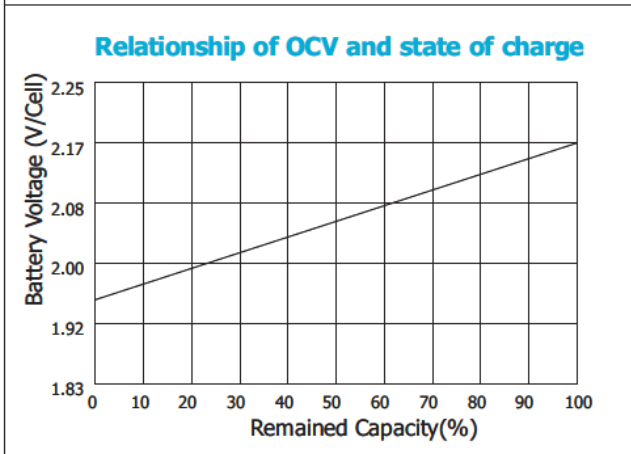
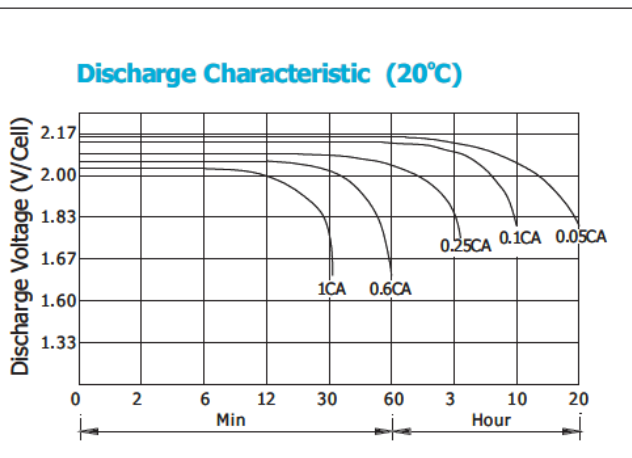
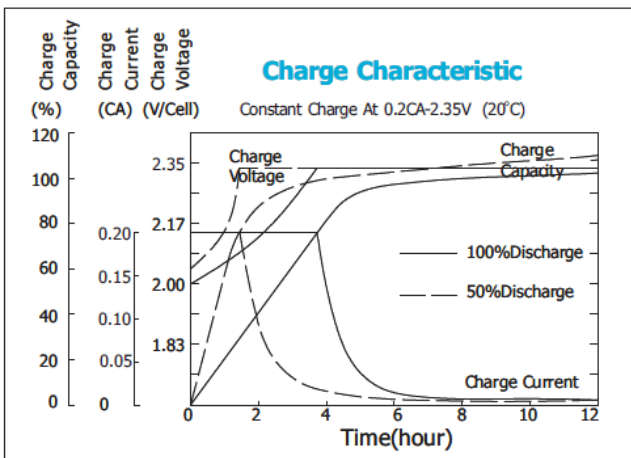
UNIT: A (20°C)

F.V/Time	15min	30min	1h	2h	3h	5h	8h	10h	20h
1.70V	250	172	111	66.8	51.0	34.5	24.0	21.0	11.0
1.75V	227	165	110	65.6	50.0	34.0	23.7	20.5	10.9
1.80V	202	154	102	63.6	48.0	33.5	23.5	20.0	10.7
1.83V	186	146	98.5	62.0	47.0	32.5	23.0	19.5	10.5
1.87V	164	132	91.5	58.5	44.5	31.5	21.6	18.5	10.3
1.90V	148	120	85.0	55.0	42.0	30.0	20.5	18.0	10.1

■ CONSTANT POWER DISCHARGE CHARACTERISTICS

UNIT: W/CELL (20°C)

F.V/Time	15min	30min	1h	2h	3h	5h	8h	10h	20h
1.70V	416	296	234	125	99.8	75.7	51.4	42.9	22.5
1.75V	368	289	211	122	99.5	73.7	50.5	40.9	22.3
1.80V	326	277	194	120	99.0	72.0	48.7	39.7	21.3
1.83V	311	261	185	119	98.2	70.1	47.9	39.1	21.0
1.87V	290	244	181	118	96.0	69.5	45.3	37.5	20.9
1.90V	276	221	174	113	92.6	67.0	44.6	36.4	20.4



Issue: SC-4 OPzV200-001-CGB-201604. For the improvement of products and technology, and the appearance of the specifications are subject to change without prior notice. The company has the right of final interpretation.

Add: No.172, Checheng Road, Wuhan Economic & Technology Development Zone, Wuhan, China, 430056.
Tel: (86)27-8489 1318 Fax: (86)27-8489 1924 E-mail: sales@cgbbattery.com