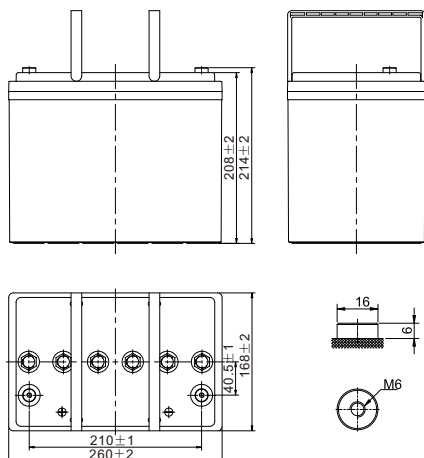




## Layout



## Specification

Nominal Voltage	12V	
Rated Capacity	43.2Ah	(C <sub>10</sub> , 1.80V/cell)
Dimension	Length	260mm(10.24 in.)
	Width	168mm(6.61 in.)
	Container Height	208mm(8.19 in.)
	Total Height (with Terminal)	214mm(8.43 in.)
Approx Weight	19.5Kg (42.99 lbs)	
Terminal	T14(Torque11~14.7Nm)	
Container Material	ABS	
Capacity	43.2Ah	(10hr, 4.32A, 1.80V/cell)
	36.75Ah	(5hr, 7.35A, 1.75V/cell)
	31.8Ah	(3hr, 10.6A, 1.75V/cell)
	25.6Ah	(1hr, 25.6A, 1.67V/cell)
Max. Discharge Current	320A (5s)	
Internal Resistance	Approx 11.7 mΩ	
Operating Temp. Range	Discharge	-20°C~55°C (-4°F~131°F)
	Charge	0°C~40°C (32°F~104°F)
	Storage	-20°C~50°C (-4°F~122°F)
Nominal Operating Temp. Range	25°C±3°C (77°F±5°F)	
Cycle Use(25°C)	Charging Current	≤ 10.0A
	Charging Voltage	2.34V~2.40V
Standby Use (25°C)	Charging Current	≤ 10.0A
	Charging Voltage	2.25V
	Temp. Coefficient	-3mV/cell/°C
Self Discharge	≤3% per month at 25°C	

## Constant Current Discharge (Amperes) at 25 °C (77°F)

F. V/Time	10min	15min	30min	1h	2h	3h	5h	8h	10h
1.85V/cell	38.6	34.1	25.5	19.5	12.4	9.45	6.76	4.88	4.13
1.80V/cell	46.4	39.3	28.5	21.4	13.4	10.2	7.07	5.10	4.32
1.75V/cell	53.3	43.9	30.7	22.8	14.1	10.6	7.35	5.23	4.41
1.70V/cell	58.1	47.7	34.5	24.8	15.0	11.3	7.78	5.31	4.45
1.65V/cell	63.6	51.2	36.1	25.6	15.5	11.7	7.92	5.40	4.53
1.60V/cell	67.9	54.1	37.5	26.4	16.1	12.0	8.14	5.49	4.62

## Constant Power Discharge (Watts/cell) at 25 °C (77°F)

F. V/Time	10min	15min	30min	1h	2h	3h	5h	8h	10h
1.85V/cell	63.5	58.4	48.5	38.0	24.2	18.5	13.3	9.65	8.28
1.80V/cell	76.8	69.6	54.5	41.5	26.1	19.7	13.9	10.1	8.57
1.75V/cell	89.3	76.8	58.1	44.0	27.3	20.7	14.4	10.4	8.78
1.70V/cell	98.4	82.7	64.8	47.5	28.9	22.0	15.2	10.5	8.86
1.65V/cell	103.7	86.1	67.1	48.8	29.7	22.6	15.5	10.7	9.00
1.60V/cell	106.4	87.9	68.8	50.0	30.6	23.0	15.8	10.9	9.14

## Applications

- Telecommunications
- Radio and cellular telephone relay stations
- Emergency lighting systems
- Power stations, Conventional power stations, alternative power (solar, wind)
- Large UPS and computer back-up
- Railway signaling
- Maritime standby power on ships and ashore
- Process and control engineering
- Standby power
- Buoy lighting

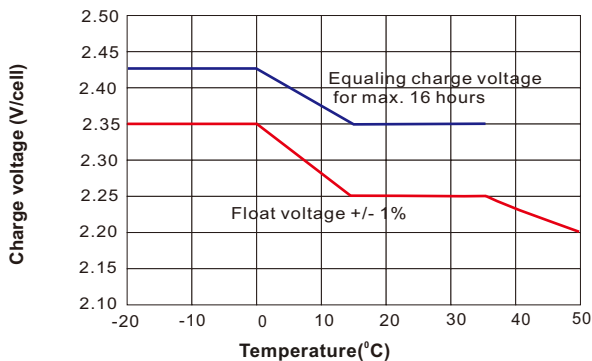
## General Features

- Better recovery performance
- Wide working temperature range (-20~50)°C
- No electrolyte stratification provides longer service life.
- High recombination efficient.
- Built in copper core based in lead will carry large current
- Separator imported from AMER-SIL high porosity. PVC-SiO<sub>2</sub> and low resistance.
- Pasted negative plate special grid design increase the active material. availability large current discharge and charge ability.
- Tubular type positive plate (polyester tube) prevent the active material from falling. Multi metal alloy pressed positive grid increase the anti corrosion ability and service life.

## Standards

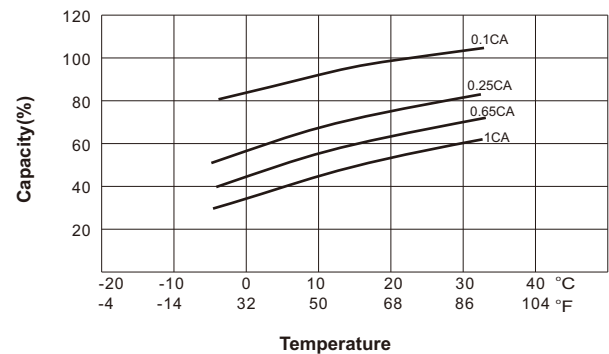
- IEC 60896 Certified
- Classified as "Very Long Life" according to Eurobat
- UL Certified
- Manufactured in Leoch® TS16949, ISO 9001 and ISO 14001 certified production facilities

### Charge voltage vs ambient temperature curve

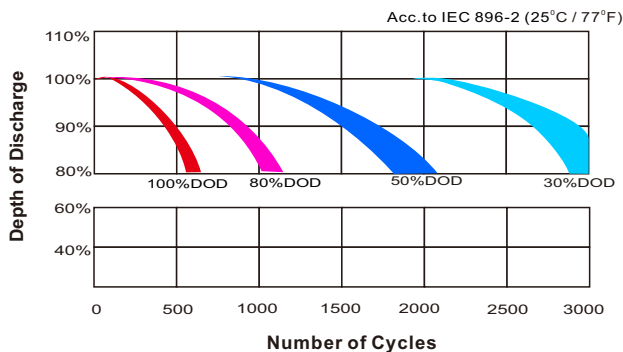


For continuous charging we recommend a voltage of 2.25 V. The charging voltage must be compensated to the curve for a continuously different battery ambient temperature.

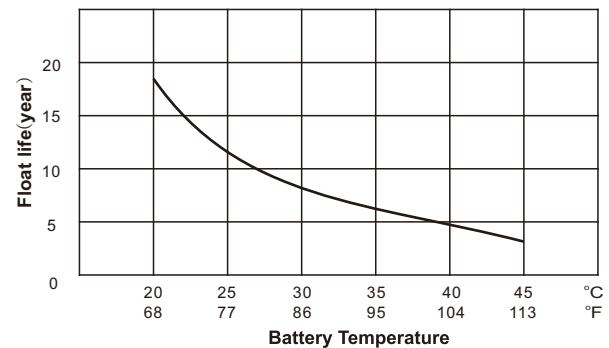
### Temperature Effects in Relation to Battery Capacity



### Cycle Life in Relation to Depth of Discharge



### Float Life



## Sales Offices Worldwide

### China Sales Office

5th Floor, Xinbaohui Bldg., Nanhai Blvd., Nanshan, Shenzhen, China. 518052  
Tel: +86-755-86036060 (100 lines)  
Fax: +86-755-26067269  
E-mail: export@leoch.com

### HongKong Sales Office

Workshop C, 33/F, TML Tower, No. 3 Hoi Shing Road, Tsuen Wan, New Territories, Hong Kong  
Tel: +852 35786666  
Fax: +44 1452 690125  
E-mail: sales.hk@leoch.com

### Singapore Sales Office

No. 1 Tech Park Crescent, Singapore 638131  
Tel: +65 68636078  
Fax: +65 6863 6079  
Email: sales.sg@Leoch.com

### Australia Sales Office

2 /29 Tarlington Place, Smithfield. NSW 2164 Australia  
Tel: 02 9756 0950  
E-mail: sales.au@leoch.com

### North America Sales Office

19751 Descartes Foothill Ranch, CA 92610, USA  
Tel: 949-588-5853  
Fax: 949-588-5966  
E-mail: sales@leoch.us

### UK Sales Office

9B Wheatstone Court. Waterwells, Business Park, Gloucester, GL2-2AQ, UK United Kingdom  
Tel: +44(0) 1452 729428 / 1452 729696  
Fax: +44 1452 690125  
E-mail: Sales.Europe@leoch.com

### Europe/MEA Sales Office

1 Deligiorgi St., 121 31 Athens, Greece  
Tel: +30 210 5760318 (2 lines)  
E-mail: support\_EMEA@leoch.com

### India Sales Office

Shed no.A-53(b), 2nd Stage of Peenya Industrial Area, Bangalore North Taluk, Bangalore-560058, India  
Tel: +91-80-23440018/23440019  
Fax: +91-80-23440017  
E-mail: indiasales@leoch.com



[Http://www.leoch.com](http://www.leoch.com)  
[Http://www.leoch.us](http://www.leoch.us)

© 2017 LEOCH. All rights reserved.

Trademarks and logos are the property of LEOCH and its affiliates unless otherwise noted.  
Subject to revisions without prior notice.

Publication No.:LB-12V20PzV40-PD-EN-V1.0-201710