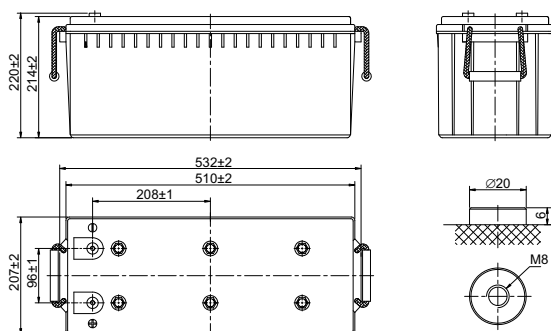




Layout



Specification

Nominal Voltage	12V	
Rated Capacity	151.0Ah	(C ₁₀ , 1.80V/cell)
Dimension	Length	532mm(20.95in.)
	Width	207mm(8.15in.)
	Container Height	214mm(8.43in.)
	Total Height (with Terminal)	220mm(8.66in.)
Approx Weight	54.0Kg (119.1 lbs)	
Terminal	T11(M8,Torque11~14.7Nm)	
Container Material	ABS	
Capacity	151 Ah	(10hr, 15.1A, 1.80V/cell)
	129 Ah	(5hr, 25.8A, 1.75V/cell)
	111.3 Ah	(3hr, 37.1A, 1.75V/cell)
	89.6 Ah	(1hr, 89.6A, 1.67V/cell)
Max. Discharge Current	1120A (5s)	
Internal Resistance	Approx 5.1 mΩ	
Operating Temp. Range	Discharge	-20°C~55°C (-4°F~131°F)
	Charge	0°C~40°C (32°F~104°F)
	Storage	-20°C~50°C (-4°F~122°F)
Nominal Operating Temp. Range	25°C±3°C (77°F±5°F)	
Cycle Use(25°C)	Charging Current	≤35.0A
	Charging Voltage	2.35V~2.40V
Standby Use (25°C)	Charging Current	≤35.0A
	Charging Voltage	2.25V
	Temp. Coefficient	-3mV/cell/°C
Self Discharge	≤3% per month at 25°C	

Constant Current Discharge (Amperes) at 25 °C (77°F)

F.V/Time	10min	15min	30min	1h	2h	3h	5h	8h	10h
1.85V/cell	135.1	119.2	89	68.4	43.4	33.1	23.6	17.1	14.5
1.80V/cell	162.5	137.7	100.0	75.0	46.9	35.4	24.9	17.8	15.1
1.75V/cell	186.4	153.8	107.5	79.8	49.2	37.1	25.8	18.2	15.4
1.70V/cell	203.5	167.0	120.9	86.8	52.5	39.6	27.2	18.6	15.5
1.67V/cell	222.5	179.2	126.4	89.6	54.3	40.9	27.9	18.9	15.9
1.60V/cell	237.5	189.5	131.1	92.1	56.1	41.9	28.4	19.2	16.2

Constant Power Discharge (Watts/cell) at 25 °C (77°F)

F.V/Time	10min	15min	30min	1h	2h	3h	5h	8h	10h
1.85V/cell	222.3	204.4	170.0	133.0	84.6	64.7	46.6	33.9	28.8
1.80V/cell	268.8	243.6	190.8	145.2	91.2	69.1	48.8	35.4	30.1
1.75V/cell	312.5	268.8	203.4	153.7	95.6	72.3	50.6	36.3	30.7
1.70V/cell	344.4	289.5	226.5	166.3	101.3	76.8	53.2	36.9	31.0
1.67V/cell	362.9	301.3	234.6	170.9	104.2	79.3	54.3	37.4	31.4
1.60V/cell	372.4	307.4	241.0	175.1	107.2	80.6	55.3	37.9	31.8

Applications

- Telecommunications
- Radio and cellular telephone relay stations
- Emergency lighting systems
- Power stations, Conventional power stations, alternative power (solar, wind)
- Large UPS and computer back-up
- Railway signaling
- Maritime standby power on ships and ashore
- Process and control engineering
- Standby power
- Buoy lighting

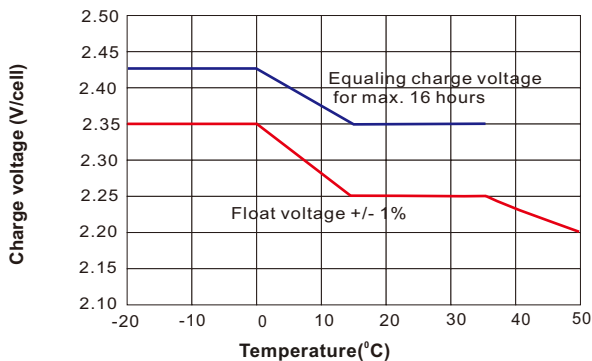
General Features

- Better recovery performance
- Wide working temperature range (-20~50)°C
- No electrolyte stratification provides longer service life.
- High recombination efficient.
- Built in copper core based in lead will carry large current
- Separator imported from AMER-SIL high porosity. PVC-SiO₂ and low resistance.
- Pasted negative plate special grid design increase the active material. availability large current discharge and charge ability.
- Tubular type positive plate (polyester tube) prevent the active material from falling. Multi metal alloy pressed positive grid increase the anti corrosion ability and service life.

Standards

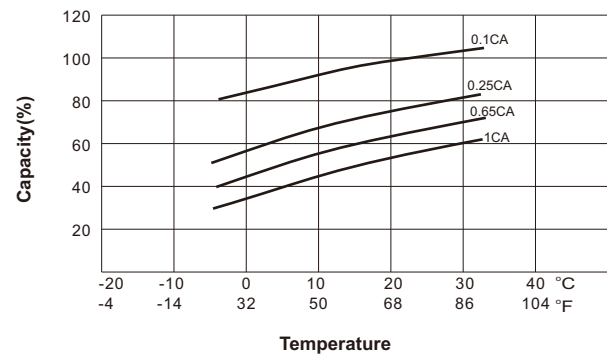
- IEC 60896 Certified
- Classified as "Very Long Life" according to Eurobat
- UL Certified
- Manufactured in Leoch® TS16949, ISO 9001 and ISO 14001 certified production facilities

Charge voltage vs ambient temperature curve

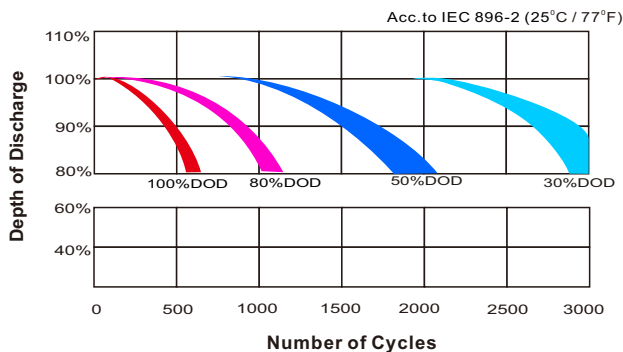


For continuous charging we recommend a voltage of 2.25 V. The charging voltage must be compensated to the curve for a continuously different battery ambient temperature.

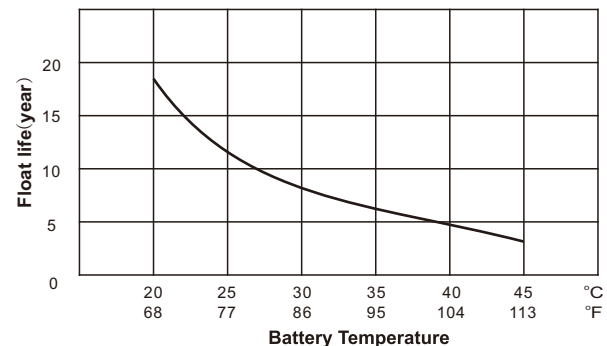
Temperature Effects in Relation to Battery Capacity



Cycle Life in Relation to Depth of Discharge



Float Life



Sales Offices Worldwide

China Sales Office

5th Floor, Xinbaohui Bldg., Nanhai Blvd., Nanshan, Shenzhen, China. 518052
Tel: +86-755-86036060 (100 lines)
Fax: +86-755-26067269
E-mail: export@leoch.com

HongKong Sales Office

Workshop C, 33/F, TML Tower, No. 3 Hoi Shing Road, Tsuen Wan, New Territories, Hong Kong
Tel: +852 35786666
Fax: +44 1452 690125
E-mail: sales.hk@leoch.com

Singapore Sales Office

No. 1 Tech Park Crescent, Singapore 638131
Tel: +65 68636078
Fax: +65 6863 6079
Email: sales.sg@Leoch.com

Australia Sales Office

2 /29 Tarlington Place, Smithfield. NSW 2164 Australia
Tel: 02 9756 0950
E-mail: sales.au@leoch.com

North America Sales Office

19751 Descartes Foothill Ranch, CA 92610, USA
Tel: 949-588-5853
Fax: 949-588-5966
E-mail: sales@leoch.us

UK Sales Office

9B Wheatstone Court. Waterwells, Business Park, Gloucester, GL2-2AQ, UK United Kingdom
Tel: +44(0) 1452 729428 / 1452 729696
Fax: +44 1452 690125
E-mail: Sales.Europe@leoch.com

Europe/MEA Sales Office

1 Deligiorgi St., 121 31 Athens, Greece
Tel: +30 210 5760318 (2 lines)
E-mail: support_EMEA@leoch.com

India Sales Office

Shed no.A-53(b), 2nd Stage of Peenya Industrial Area, Bangalore North Taluk, Bangalore-560058, India
Tel: +91-80-23440018/23440019
Fax: +91-80-23440017
E-mail: indiasales@leoch.com



[Http://www.leoch.com](http://www.leoch.com)
[Http://www.leoch.us](http://www.leoch.us)

© 2017 LEOCH. All rights reserved.

Trademarks and logos are the property of LEOCH and its affiliates unless otherwise noted.
Subject to revisions without prior notice.

Publication No.:LB-12V7OPzV140-PD-EN-V1.0-201710