

## PLH+C 40FT(12V38Ah)

### PLH+C SERIES-LONG PSoC LIFE

#### Applications

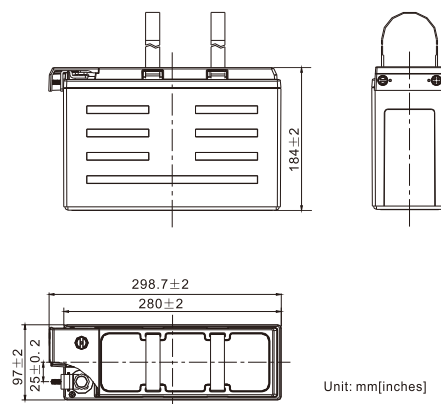
- UPS system
- Backup Power
- Demand charge reduction
- Time-of-Use bill management
- Increased PV self consumption
- Grid-Tied Energy Storage System
- Grid-Zero Energy Storage System

#### Key Features

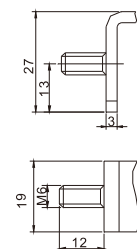
- High energy density
- High-rate performance
- Low internal resistance
- Low self-discharging rate
- Supper high PSoC cycle life
- Excellent Fast charging acceptance:  
1.5 hour to 90% SoC
- Excellent high rate discharge performance  
in low temperature
- Advanced lead acid batteries: Pure Lead  
Thin Plate Carbon Technology



#### Layout



#### Terminal



Unit: mm

LEOCH INTERNATIONAL TECHNOLOGY LIMITED.

[www.leoch.com](http://www.leoch.com)

# Pure Lead Carbon Technology - PSoC Cycle



## PLH+C 40FT(12V38Ah) PLH+C SERIES-LONG PSoC LIFE

### Specification

Nominal Voltage	12V	
Rated Capacity (Ah)	10hr	38Ah @25 °C to 1.80V/cell
	8hr	38Ah @25 °C to 1.75V/cell
Dimension	Length	298.7±2mm (11.76 inches)
	Width	97±2mm (3.82 inches)
	Container Height	184±2mm (7.24 inches)
	Total Height (with Terminal)	184±2mm (7.24 inches)
Weight	Approx 12.5Kg (27.5 lbs)	
Terminal	T6-A	
Container Material	PC-ABS flame retardant jar and cover to UL94V-0	
Max. Discharge Current	456A (5s)	
Internal Resistance	Approx 4.9mΩ	
Operating Temp. Range	Discharge	-40~65°C (-40~149°F)
	Charge	0~40°C (32~104°F)
	Storage	-20~40°C (-4~104°F)
Capacity affected by Temperature	40°C (104°F)	103%
	25°C (77°F)	100%
	0°C (32°F)	86%
Self Discharge	PLH+C series batteries can be stored up to 24 months at 25°C(77°F) and then a freshening charge is required. For higher temperatures the time interval will be shorter.	



### Constant Current Discharge (Amperes) at 25 °C (77°F)

F. V/Time	10min	15min	20min	30min	45min	1h	2h	3h	4h	5h	8h	10h	20h
1.85V/Cell	78.5	64.8	64.8	43.1	32.0	24.9	16.1	11.2	8.79	6.70	4.86	3.72	2.08
1.80V/Cell	87.6	71.2	59.6	45.2	33.2	25.9	16.3	11.3	8.85	6.87	4.95	3.80	2.12
1.75V/Cell	92.8	74.4	62.2	46.7	34.1	26.6	16.4	11.4	8.88	7.03	4.75	3.86	2.15
1.70V/Cell	97.7	77.6	64.1	48.0	34.8	27.1	16.6	11.5	8.92	7.16	5.10	3.86	2.17
1.67V/Cell	105.9	82.4	67.2	49.3	35.5	27.5	16.7	11.6	8.94	7.27	5.17	3.94	2.18
1.60V/Cell	111.7	86.0	69.7	50.7	36.1	28.0	16.8	11.7	8.98	7.38	5.24	3.97	2.26

### Constant Power Discharge (Watts) at 25 °C (77°F)

F. V/Time	10min	15min	20min	30min	45min	1h	2h	3h	4h	5h	8h	10h	20h
1.85V/Cell	148.8	123.9	107.1	84.0	63.3	49.4	31.9	22.6	17.6	13.5	9.80	8.00	4.20
1.80V/Cell	163.3	134.3	113.6	87.5	65.2	51.0	32.2	22.7	17.7	13.8	10.0	8.10	4.30
1.75V/Cell	171.5	139.2	117.5	89.5	66.6	52.0	32.4	22.8	17.7	14.0	10.2	8.20	4.40
1.70V/Cell	177.9	143.3	119.9	91.4	67.6	52.7	32.7	22.9	17.8	14.3	10.2	8.30	4.40
1.67V/Cell	190.9	150.8	124.6	93.3	68.4	53.3	32.8	23.0	17.9	14.4	10.4	8.30	4.40
1.60V/Cell	195.9	153.9	127.2	94.7	68.9	53.8	33.1	23.2	17.9	14.6	10.5	8.50	4.50

#### China Sales Office

5th Floor, Xinbaohui Bldg., Nanshai Blvd, Nanshan, Shenzhen, China. 518054  
Tel: +86-755-86036060(100 lines) Fax: +86-755-26067269  
E-mail: export@leoch.com

© 2018 LEOCH. All rights reserved.

Trademarks and logos are the property of LEOCH and its affiliates unless otherwise noted.  
Subject to revisions without prior notice.