

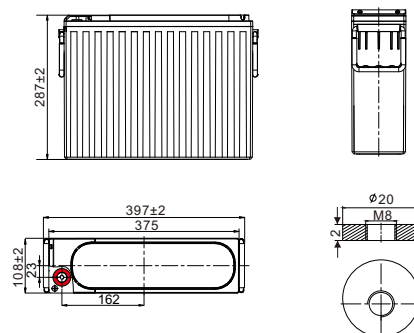
PLC100FT (12V88Ah)

PLC SERIES
LONG CYCLE LIFE

Specification

Nominal Voltage	12V	
Rated Capacity (Ah)	90Ah	(C ₁₀ , 1.80V/cell, 25°C)
	96.6Ah	(C ₂₀ , 1.80V/cell, 25°C)
Dimension	Length	397±3mm (15.63 inches)
	Width	108±2mm (4.25 inches)
	Container Height	287±2mm (11.30 inches)
	Total Height (with Terminal)	287±2mm (11.30 inches)
Weight	31.0Kg (68.2 lbs)	
Terminal	M8	
Container Material	PC-ABS flame retardant jar and cover to UL94V-0	
Max. Discharge Current	1200A (5s)	
Internal Resistance	Approx 4.5mΩ(Fully Charged)	
Operating Temp.Range	Discharge	-40°C ~ 65°C (-40°F ~ 149°F)
	Charge	0°C ~ 40°C (32°F ~ 104°F)
	Storage	-20°C ~ 40°C (-4°F ~ 104°F)
Capacity affected by Temperature	40°C (104°F)	103%
	25°C (77°F)	100%
	0°C (32°F)	86%

Storage
PLC series batteries can be stored up to 24 months at 25°C(77°F), For higher temperatures the time interval will be shorter.
Battery needs to be given a freshening charge when the OCV approach 2.10V/cell or when the maximum storage time is reached, whichever occurs first.



Unit: mm



Constant Current Discharge (Amperes) at 25°C (77°F)

F.V/Time	10min	15min	20min	30min	45min	1h	2h	3h	4h	5h	8h	10h	20h
1.85V/cell	137.0	125.3	110.8	84.2	62.1	50.6	30.2	22.0	17.4	14.6	10.2	8.57	4.60
1.80V/cell	154.6	135.8	118.4	90.2	67.3	54.6	32.1	23.2	18.3	15.4	10.7	9.00	4.83
1.75V/cell	167.7	143.7	124.3	95.4	70.2	56.4	32.7	23.6	18.5	15.5	10.8	9.10	4.88
1.70V/cell	181.4	153.0	129.8	98.7	72.4	57.8	33.2	23.8	18.7	15.7	10.9	9.16	4.92
1.67V/cell	191.4	159.8	133.9	101.6	74.3	59.2	33.6	24.1	18.9	15.8	11.0	9.22	4.95
1.60V/cell	200.4	165.7	138.0	104.3	75.7	60.3	34.1	24.4	19.2	16.0	11.1	9.27	4.97

Constant Power Discharge (Watts/cell) at 25°C (77°F)

F.V/Time	10min	15min	20min	30min	45min	1h	2h	3h	4h	5h	8h	10h	20h
1.85V/cell	260.4	239.7	213.2	164.0	122.6	100.3	60.3	44.2	35.1	29.5	20.7	17.4	9.39
1.80V/cell	289.6	256.3	225.6	174.4	132.3	107.8	63.8	46.3	36.7	30.9	21.7	18.2	9.82
1.75V/cell	310.7	268.6	234.9	183.1	136.9	110.5	64.8	46.9	37.0	31.1	21.8	18.4	9.90
1.70V/cell	332.2	283.5	242.9	187.8	140.4	112.7	65.4	47.2	37.3	31.3	22.0	18.5	9.93
1.67V/cell	344.9	292.4	248.6	192.5	143.4	114.8	66.0	47.5	37.6	31.5	22.1	18.5	9.96
1.60V/cell	353.5	297.7	251.8	195.1	144.5	116.0	66.4	47.7	37.7	31.7	22.1	18.5	9.97

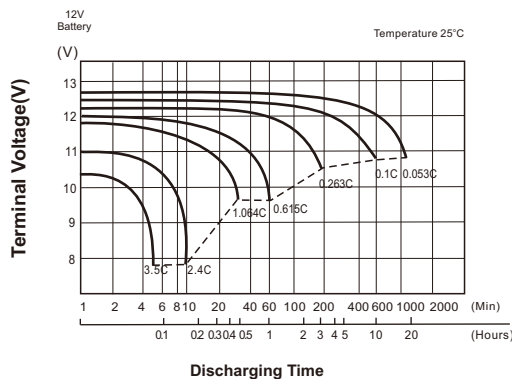
Thin Plate Pure Lead



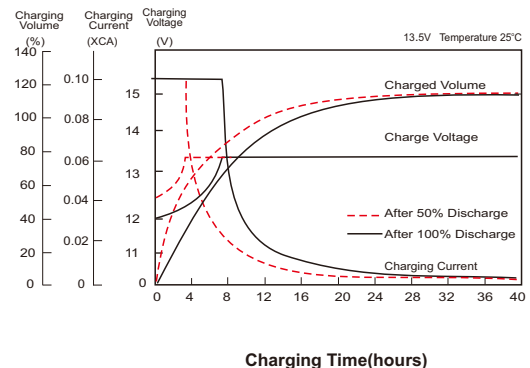
Features & Benefits

- 15 years design life(25°C)
- Low internal resistance
- Fast Charging Acceptance
- Premium ABS+ jar & covers
- IATA Approved for Air Freight
- Heat sealed plastic container
- UL Recognized, IEC Certified
- Automated COS & TTP welding
- Flame Retardant to UL94V-0
- Long Shelf Life up to 2 years @77°F(25°C)
- High-rate performance, high energy density
- Virgin pure lead plates / copper alloy terminal inserts
- Excellent high rate discharge capability for emergency backup power supply
- High quality AGM separators minimize electrical resistance to allow high current discharging properties.
- Outstanding high rate charge capability with Thin Plate Pure Lead technology

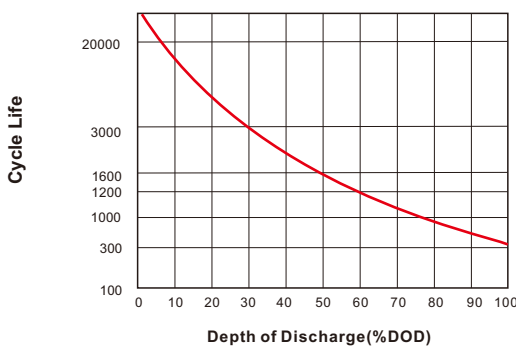
Discharging Characteristics



Charging Characteristics

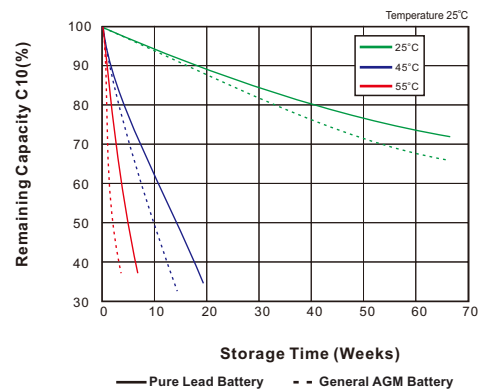


Cycle Life vs Depth of Discharge



Testing Condition
Charging: Constant Voltage 2.45V/cell
Current Limit at 0.1CA for 16hours

Self Discharge Characteristics



Sales Offices Worldwide

China sales office

5th Floor, Xinbaohui Bldg., Nanhai Blvd.,
Nanshan, Shenzhen, China. 518052
Tel: +86-755-86036060 (100 lines)
Fax: +86-755-26067269
E-mail: export@leoch.com

North America sales office

19751 Descartes, Unit A,
Foothill Ranch, CA 92610, USA
Tel: 949-588-5853
Fax: 949-588-5966
E-mail: sales@leoch.us

HongKong sales office

Workshop C, 33/F, TML Tower, No. 3 Hoi Shing Road,
Tsuen Wan, New Territories, Hong Kong
Tel: +852 35786666
Fax: +44 1452 690125
sales.hk@leoch.com

UK sales office

9B Wheatstone Court, Waterwells, Business Park,
Gloucester, GL2-2AQ, UK United Kingdom
Tel: +44(0) 1452 729428 / 1452 729696
Fax: +44 1452 690125
E-mail: Sales.Europe@leoch.com

Singapore sales office

No. 1 Tech Park Crescent,
Singapore 638131
Tel: +65 68636078
Fax: +65 6863 6079
Email: sales.sg@Leoch.com

Europe/MEA Sales Office

1 Deligiorgi St., 121 31 Athens
Greece
Tel: +30 210 5760318 (2 lines)
E-mail: support_EMEA@leoch.com

Australia Sales Office

2 /29 Tarlington Place, Smithfield. NSW 2164
Australia
Tel: 02 9756 0950
E-mail: sales.au@leoch.com

India Sales Office

Shed no. A-53(b), 2nd Stage of Peenya Industrial Area,
Bangalore North Taluk, Bangalore-560058, India
Tel: +91-80-23440018/23440019
Fax: +91-80-23440017
E-mail: indiasales@leoch.com



[Http://www.leoch.com](http://www.leoch.com)
[Http://www.leoch.us](http://www.leoch.us)