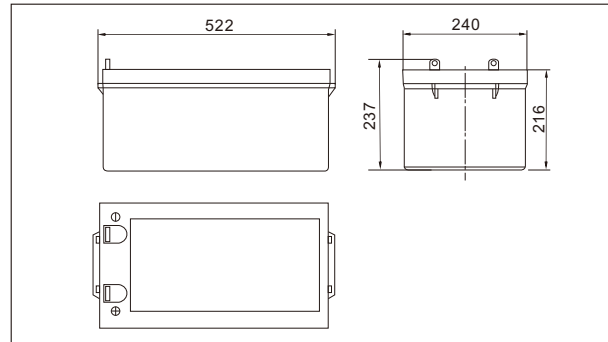




SW122000E(12V200AH)



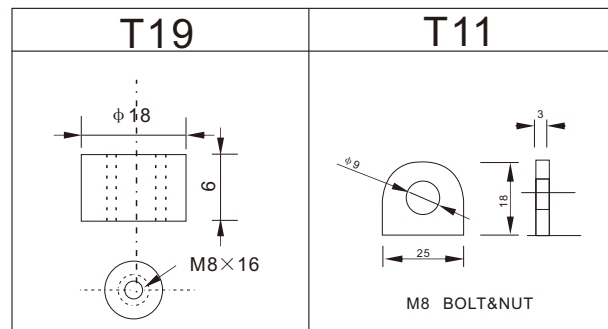
Outer dimensions (mm)



Specifications

Nominal Voltage		12V
Rated capacity (10 hour rate)		200 Ah
Dimensions	Total Height	237 mm (9.29 inches)
	Height	216 mm (8.50 inches)
	Length	522 mm (20.6 inches)
	Width	240 mm (9.45 inches)
Weight Approx		60.0 Kg (132.3 lbs)

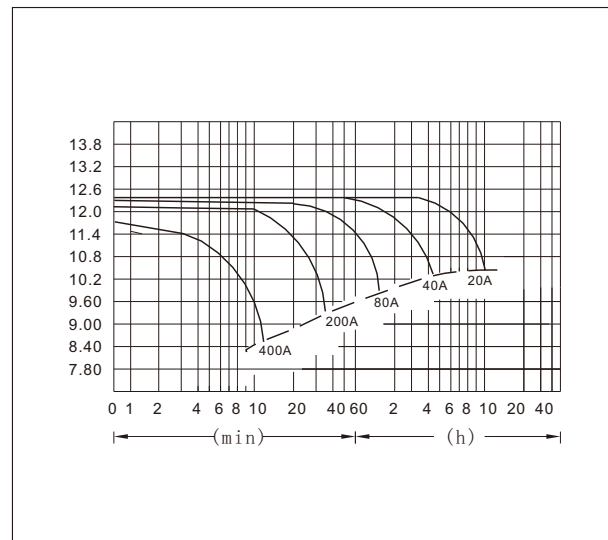
Terminal Type (mm)



Characteristics

Capacity 25°C(77°F)	10 hour rate(20.0 A)	200 AH
	5 hour rate(32.0 A)	160 AH
	1 hour rate(120A)	120 AH
	1.5 hour discharge to 10.5V	80.0 A
Internal Resistance	Full charged Battery at 25°C(77°F)	1 mΩ
Capacity affected by Temperature (20hour rate)	40°C(104°F)	102%
	25°C(77°F)	100%
	0°C(32°F)	85%
	-15°C(5°F)	65%
Self-Discharge at 25°C(77°F)	Capacity after 3 month storage	91%
	Capacity after 6 month storage	82%
	Capacity after 12 month storage	64%
Terminal	T19, T11	
Charge (constant Voltage)	Cycle	Initial Charging Current less than50A Voltage 14.10-14.40V
	Float	Voltage 13.50-13.80V
Design Life	10 Year	

Discharge Curves 25°C(77°F)



Constant Current(Amp) and Constant Power(Watt) Discharge Table at 25°C(72°F)

Time		10min	30min	1h	2h	3h	4h	5h	8h	10h	20h
9.60V	A	400.0	220.0	120.0	70.0	52.0	42.0	35.6	23.2	22.0	11.4
	W	4240	2343	1284	756	567	462	391.6	257.1	244.2	127.7
10.20V	A	380.0	218.0	112.8	66.8	51.0	41.0	34.8	22.8	20.7	11.2
	W	4180	2409	1252	748	576	465	395	258	235	127
10.50V	A	360.0	204.0	110.0	65.2	50.0	40.0	34.0	22.5	20.4	11.1
	W	4032	2295	1243	743	573	460	391	259	235	127
10.80V	A	340.0	188.0	106.0	63.6	49.0	39.0	30.4	21.9	20.0	10.9
	W	3859	2143	1214	735	568	454	354	255	233	127
11.10V	A	320.0	168.0	100.0	62.0	47.0	38.0	29.0	21.3	19.5	10.8
	W	3680	1940	1160	725	552	448	342	252	230	127