

Motive Battery

Energy Storage Battery

Reserve Battery

Motorcycle Battery



Energy Storage Battery-AGM-GEL Technology-TNG Series

TNG12-100

(12V 100Ah)

GENERAL FEATURES

- ◆ Oxygen recombination technology: maintenance-free, no need to add water or acid
- ◆ The patent grid alloy: less gassing, low self-discharge, excellent corrosion resistance
- ◆ Special paste formula: additives for deep discharge, long cycle life
- ◆ High quality AGM separator: extend cycle life and prevent micro short circuit
- ◆ The patent Nano silica electrolytes, extend cycle life and improve the deep discharge performance
- ◆ ABS container: increase the strength of battery (Flame-retardant ABS UL94-V0 is optional)

Dimension

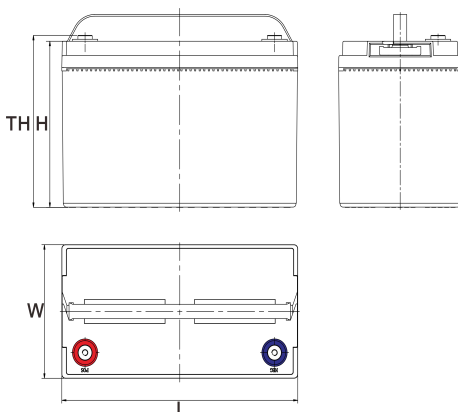
Unit:mm

Length 330±2mm / 12.99inch

Width 172±2mm / 6.77inch

Container Height 214±3mm / 8.43inch

Total Height 221.5±3mm / 8.72inch



Application

- ◆ Renewable energy system
- ◆ Hybrid solar power system
- ◆ Uninterrupted Power Supply (UPS)
- ◆ Communications and electric equipment
- ◆ Emergency lighting equipment
- ◆ Fire alarm and security systems
- ◆ Robots, control equipment, and other factory automation equipment
- ◆ Emergency power supply (EPS)
- ◆ Various power toy and hobby equipment
- ◆ Lighting equipment

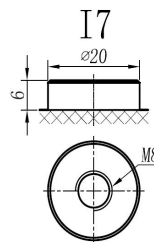
Terminal

Unit:mm

Terminal Type: I7

Weight

30.6kg 67.46lbs



ISO9001 ISO14001 OHSAS18001

This document is subject to change without prior notification

Motive Battery

Energy Storage Battery



Reserve Battery

Motorcycle Battery

TNG12-100

Specification

Nominal Voltage	12V	
Rated Capacity(25°C)	106Ah	20hr Rate(1.80V/cell)
	100Ah	10hr Rate(1.80V/cell)
	88Ah	5hr Rate(1.75V/cell)
	78Ah	3hr Rate(1.70V/cell)
	64Ah	1hr Rate(1.60V/cell)
	Container Material ABS (Flame-retardant ABS UL94-V0 is optional)	
Operating Temperature Range	Discharge	-20 ~ +50°C
	Charge	0 ~ +40°C
	Storage	-15 ~ +40°C
Capacity Effected by Temperature	40°C / 104°F	106%
	25°C / 77°F	100%
	0°C / 32°F	86%
	-10°C / 14°F	65%
Charge Voltage	Float Voltage	2.25 -2.30V/cell@25°C, Tem. Coefficient: -3mV/cell/°C
	Equalize Voltage	2.35 -2.40V/cell@25°C, Tem. Coefficient: -3mV/cell/°C
	Cycle Voltage	2.40 -2.50V/cell@25°C, Tem. Coefficient: -5mV/cell/°C
Max Charging Current	30A (0.3C)	
Max. Discharge Current (5S)	1200A	
Internal Resistance	4.9mΩ	
Self Discharge	<3%, TN series stored at 25 °C require a supplementary charge every six months, the charging interval would shrink when the ambient temperature went higher	

Discharge Performance

Constant Current Discharge Table (25°C/77°F) Unit: A

F.V/Time	5min	10min	15min	20min	30min	45min	1h	2h	3h	4h	5h	6h	8h	10h	20h
1.85V/cell	170.3	143.6	127.7	113.1	85.8	64.9	52.39	31.29	23.49	19.20	16.40	14.40	11.60	9.66	5.238
1.80V/cell	206.0	164.4	141.0	121.2	90.3	68.3	55.09	33.09	24.59	20.20	17.20	15.00	12.00	10.01	5.309
1.75V/cell	232.5	182.8	151.1	128.3	94.7	70.9	57.09	34.39	25.39	20.70	17.60	15.30	12.20	10.11	5.401
1.70V/cell	256.6	195.7	162.0	136.3	99.9	74.2	59.49	35.29	25.99	21.20	17.90	15.60	12.40	10.21	5.452
1.65V/cell	286.2	211.0	175.1	143.8	104.7	77.0	61.89	36.29	26.69	21.70	18.30	15.90	12.60	10.31	5.514
1.60V/cell	324.5	228.1	184.9	151.4	110.2	80.1	63.79	37.49	27.59	22.20	18.60	16.20	12.70	10.51	5.565

Constant Power Discharge Table (25°C/77°F) Unit: W

F.V/Time	5min	10min	15min	20min	30min	45min	1h	2h	3h	4h	5h	6h	8h	10h	20h
1.85V/cell	316.4	269.7	242.4	216.3	165.3	124.0	100.77	59.95	45.06	36.97	31.75	27.95	22.69	19.12	10.200
1.80V/cell	379.1	306.3	265.8	230.6	173.4	130.2	105.70	62.91	47.03	38.65	33.13	29.14	23.49	19.82	10.300
1.75V/cell	423.1	338.3	283.2	243.1	180.8	134.7	109.25	65.08	48.41	39.54	33.82	29.63	23.78	19.92	10.400
1.70V/cell	461.9	359.5	301.8	256.8	189.9	140.3	113.39	66.65	49.40	40.43	34.31	30.13	24.08	20.12	10.500
1.65V/cell	509.4	384.0	323.9	269.3	198.1	144.9	117.43	68.23	50.58	41.21	34.81	30.52	24.38	20.32	10.600
1.60V/cell	567.9	410.2	338.5	281.1	207.1	150.0	120.68	70.10	51.96	42.00	35.40	31.02	24.58	20.52	10.700

☐ 动力电池

■ 储能电池

☐ 备用电池

☐ 摩托车电池



储能电池-AGM-凝胶技术-TNG系列

TNG12-100

(12V 100Ah)

产品特点

- ◆ 阀控式免维护设计，寿命期间无需加水或加酸
- ◆ 专利稀土合金板栅，减少气体产生，自放电率低，抗腐蚀能力出众
- ◆ 特制组成配方，添加特殊试剂，增进深放电性能，延长循环寿命
- ◆ 高质量AGM隔板：防止微短路，延长循环寿命
- ◆ 纳米硅胶专利电解质，延长循环寿命，增进深放电性能
- ◆ ABS壳盖：电池外壳强度高（阻燃壳体UL94-V0可选）



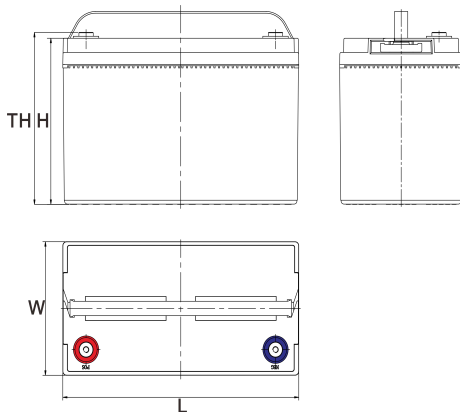
产品应用

- ◆ 可再生能源系统
- ◆ 太阳能混合动力系统
- ◆ 不间断电源 (UPS)
- ◆ 通信及电力设备
- ◆ 应急照明系统
- ◆ 安防及火灾报警系统
- ◆ 机械自动化控制设备
- ◆ 应急电源 (EPS)
- ◆ 各式电动玩具及娱乐设施
- ◆ 照明设备

尺寸

单个尺寸

长	330±2mm / 12.99inch
宽	172±2mm / 6.77inch
高	214±3mm / 8.43inch
总高	221.5±3mm / 8.72inch



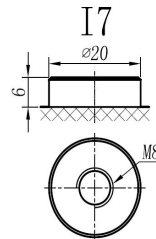
端子类型

单位:mm

端子类型 I7

重量

30.6kg 67.46lbs



ISO9001 ISO14001 OHSAS18001

内容如有改动，恕不另行通知

动力电池

储能电池

备用电池

摩托车电池



规格书

TNG12-100

额定电压	12V	
容量(25°C)	106Ah	20hr Rate(1.80V/cell)
	100Ah	10hr Rate(1.80V/cell)
	88Ah	5hr Rate(1.75V/cell)
	78Ah	3hr Rate(1.70V/cell)
	64Ah	1hr Rate(1.60V/cell)
壳体材料	ABS (阻燃ABS壳体可选)	
使用温度范围	放电	-20 ~ +50°C
	充电	0 ~ +40°C
	储存	-15 ~ +40°C
不同温度下电 池容量系数	40°C / 104°F	106%
	25°C / 77°F	100%
	0°C / 32°F	86%
	-10°C / 14°F	65%
充电电压	浮充	2.25 -2.30V/单格@25°C, 温度补偿系数: -3mV/单格/°C
	均充	2.35 -2.40V/单格@25°C, 温度补偿系数: -3mV/单格/°C
	循环使用	2.40 -2.50V/单格@25°C, 温度补偿系数: -5mV/单格/°C
最大充电电流	30A (0.3C)	
最大放电电流(5S)	1200A	
电阻	4.9mΩ	
自放电	<3%, TN系列储存在25°C 时需每6个月进行一次补充充电, 环境温度更高时则充电间隔时间越短	

放电性能

恒电流放电表 (25°C/77°F) 单位: A															
F.V/Time	5min	10min	15min	20min	30min	45min	1h	2h	3h	4h	5h	6h	8h	10h	20h
1.85V/cell	170.3	143.6	127.7	113.1	85.8	64.9	52.39	31.29	23.49	19.20	16.40	14.40	11.60	9.66	5.238
1.80V/cell	206.0	164.4	141.0	121.2	90.3	68.3	55.09	33.09	24.59	20.20	17.20	15.00	12.00	10.01	5.309
1.75V/cell	232.5	182.8	151.1	128.3	94.7	70.9	57.09	34.39	25.39	20.70	17.60	15.30	12.20	10.11	5.401
1.70V/cell	256.6	195.7	162.0	136.3	99.9	74.2	59.49	35.29	25.99	21.20	17.90	15.60	12.40	10.21	5.452
1.65V/cell	286.2	211.0	175.1	143.8	104.7	77.0	61.89	36.29	26.69	21.70	18.30	15.90	12.60	10.31	5.514
1.60V/cell	324.5	228.1	184.9	151.4	110.2	80.1	63.79	37.49	27.59	22.20	18.60	16.20	12.70	10.51	5.565

恒功率放电表 (25°C/77°F) 单位: W															
F.V/Time	5min	10min	15min	20min	30min	45min	1h	2h	3h	4h	5h	6h	8h	10h	20h
1.85V/cell	316.4	269.7	242.4	216.3	165.3	124.0	100.77	59.95	45.06	36.97	31.75	27.95	22.69	19.12	10.200
1.80V/cell	379.1	306.3	265.8	230.6	173.4	130.2	105.70	62.91	47.03	38.65	33.13	29.14	23.49	19.82	10.300
1.75V/cell	423.1	338.3	283.2	243.1	180.8	134.7	109.25	65.08	48.41	39.54	33.82	29.63	23.78	19.92	10.400
1.70V/cell	461.9	359.5	301.8	256.8	189.9	140.3	113.39	66.65	49.40	40.43	34.31	30.13	24.08	20.12	10.500
1.65V/cell	509.4	384.0	323.9	269.3	198.1	144.9	117.43	68.23	50.58	41.21	34.81	30.52	24.38	20.32	10.600
1.60V/cell	567.9	410.2	338.5	281.1	207.1	150.0	120.68	70.10	51.96	42.00	35.40	31.02	24.58	20.52	10.700