



Zhuhai Angel Energy Technology Co.,Ltd

Add: Bldg4,No.26,2nd Xinke Road,Baijiao Technology Industrial Park,
Doumen District,Zhuhai,GD,China.

Contact: Cindy Huang

E: agm03@agmenergy.net

Cell: +86-13727008595

1.AGM Battery Factory

Web: www.agmenergy.net

Wechat: cindyhid

Skype: cindyh624520



2.Why AGM Battery?

1)Over **17years OEM MANUFACTURER** of rechargeable lithium-ion and Ni-MH batteries.

Passed ISO9001:2008,ISO14001:2004,OHSAS 18001:2007,ISO/TS16949:2009,SGS/ROHS,UL,MSDS,UN38.3 Report etc certificates.

Exported to USA,Germany,Japan,Canada,England,France,Australia etc 50 countries and districts

2) OEM / ODM production area of nearly 20,000m².

3)Daily capacity:more than 200,000 pcs polymer lithium batteries, more than 100,000 pcs Cylindrical batteries, 200,000 pcs electronic cigarette batteries.

4)Best customer services:

A.Before sale:provide battery ideas,technique,Hotsale ones,price,shipping etc for you choose.

B.Ordering:After got deposit,your order will be arranged ASAP on production lines, any further news will be provided you with photos,video by email,whatsapp,skype,Telegram etc.

C.After-sale service:after shipping,all order details like PL,CI,Loading photos,Video,Tests Reports,Spe. will be sent u ASAP.

During the shipping time,will tracking news and send you.

5)Stringent Production Management for High end quality.For Long-term Business relationship Only.

Li ion batteries passed **Initial Performance Test,Cycle Life,Leakage-Proof Test,Vibration ,Drop Test,Crush Test, Short Circuit Test(Both $^{\circ}\text{C}20$ and 60°C),Impact Test,Forced Discharge Test,Nail Pricking Test etc More than 10Tests.**

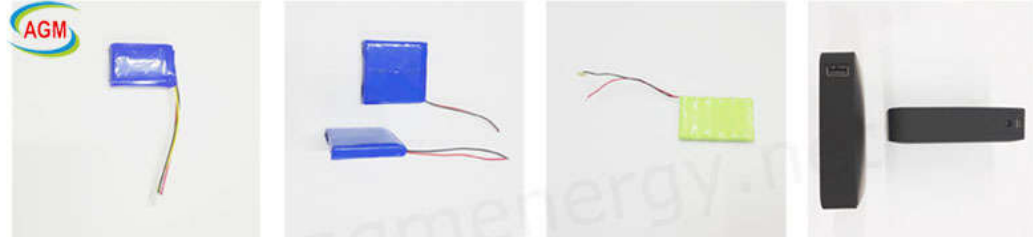
3.Endless models of Battery Packs because Customized for technique and dimentions,some Hot applications ones:

- 1)Smart Home: 3.7V 6500mAh(1S2P)
- 2)LED Lights: 7.4V 1800mAh(2S1P)
- 3)Electronic Toys:7.2V 1800mAh(6S1P)
- 4)Thermal Cloth: 7.4V 4400mAh(2S2P)
- 5)Bar Code Machine:11.1V 7.5Ah(3S3P)
- 6)Solar Streetlight:12.8V 20Ah(4S4P)
- 7)Solar Streetlight:11.1V 15.6Ah(3S6P)
- 8)E-Bike:32V 12Ah(10S4P)
- 9)UPS Battery:48V100Ah(15S4P)

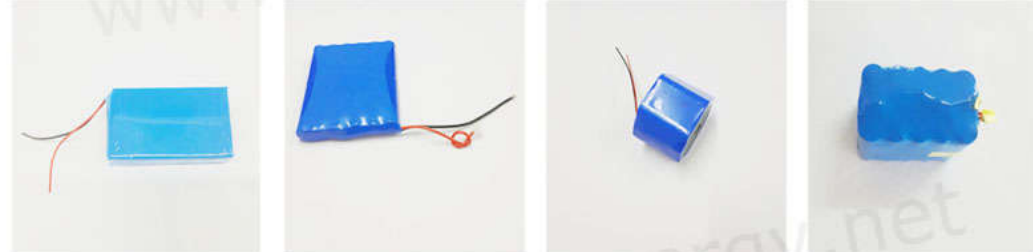
...

Major Battery Cells:Cylindrical lithium ion battery,Li Polymer,Ni-MH etc

4.Following some photos for you reference:



LED Light 3.7V 1100mAh Smart Home 3.8V 6000mAh Electronic toys 7.2V 1800mAh Thermal Cloth 7.4V 4400mAh



Bar code machine 11.1V 7.5Ah Streetlight 11.1V 10.4Ah Solar Energy Streetlight 11.1V 15.6Ah and 12V 30Ah



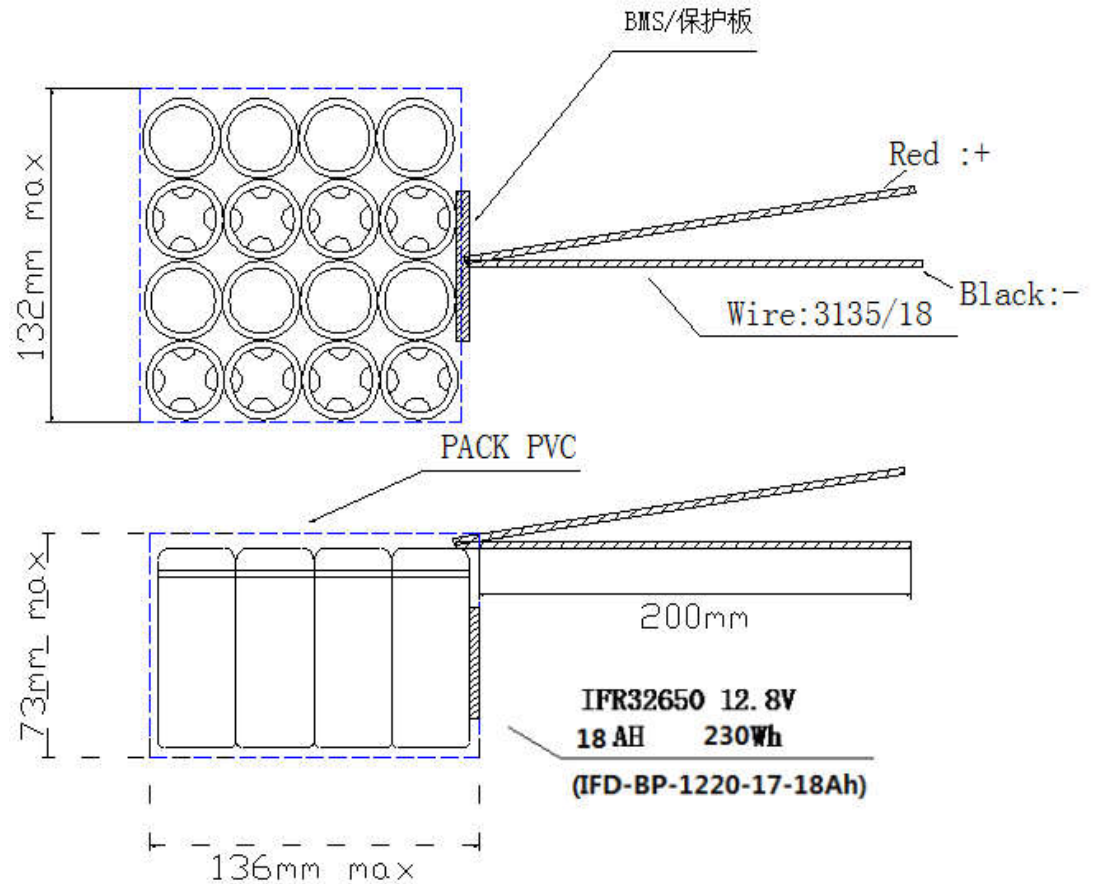
LED Advertising lamp box 12V 15.6Ah Solar Energy Streetlight 12V 32Ah E-bike 36V 12Ah



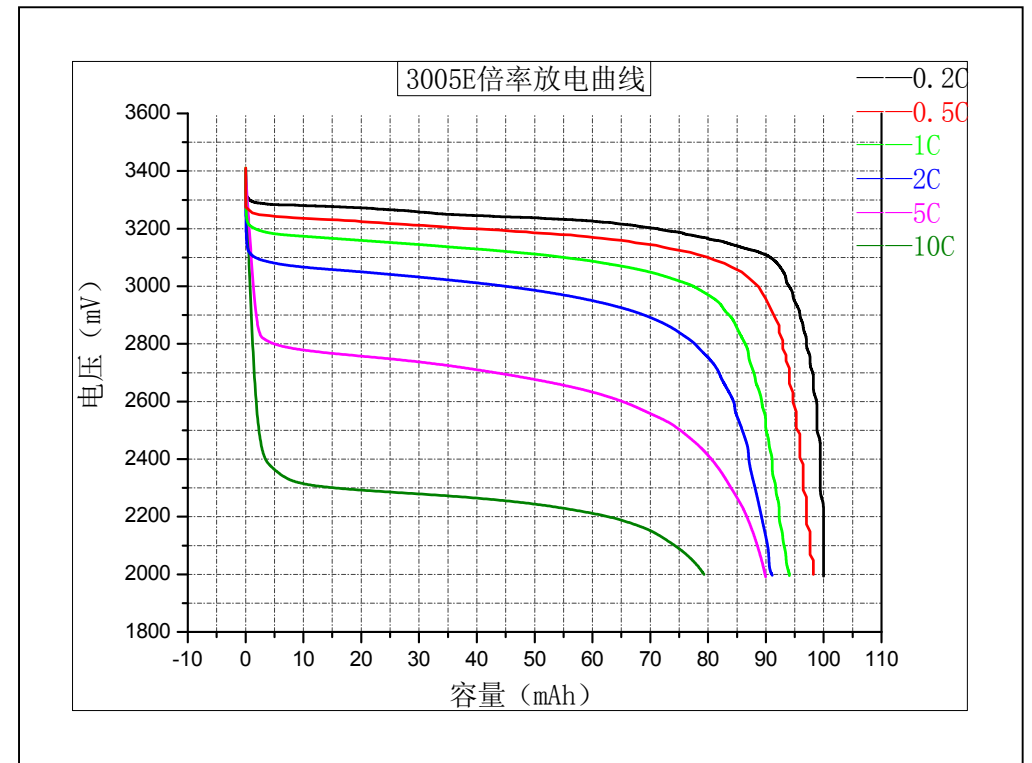
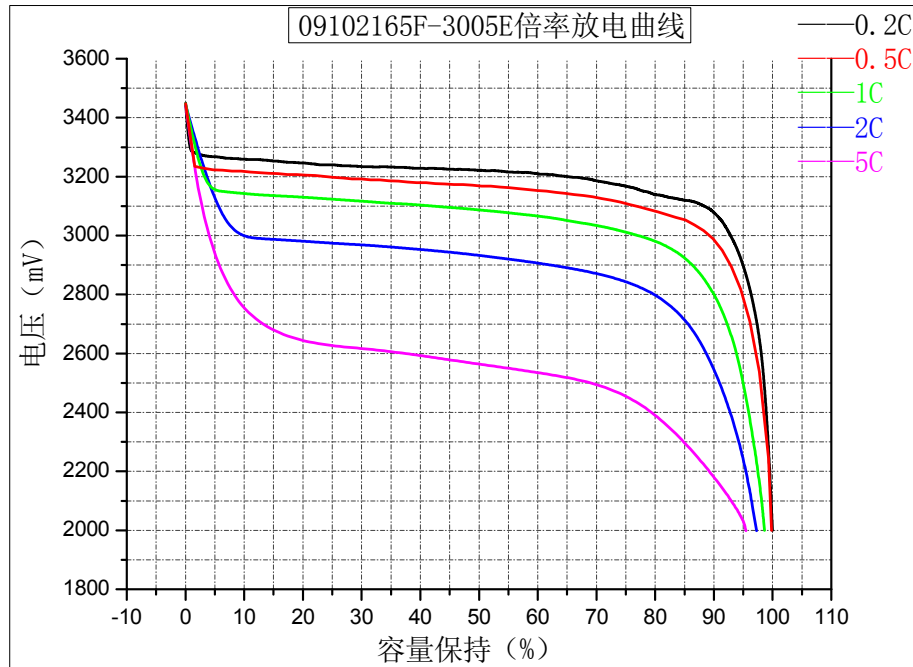
Model Aircraft 22.2V,6000mAh E-Scooter 36V 4.8Ah Back Up power 24V 18Ah UPS 48V 100AH

5. Technique Parameters: (Such as IFR32650-4S4P-12.8V/20Ah)

- 1) Normal Capacity: 20Ah
- 2) Min. Capacity: 18Ah
- 3) Normal Voltage: 12.8V
- 4) End of discharge Voltage: 8.0V
- 5) Charging Voltage: $14.6 \pm 0.03V$
- 6) Internal Resistance: $\leq 100m\Omega$
- 7) Max. Continuous Charge&Discharge Current: 0.5C
- 8) Operation Temperature Range (Charge): 0-45°C
- 9) Dimensions: Max. 136*132*73mm
- 10) N.W: 2.5KG
- ...



6. Discharge Characters:



7. Major Features:

- 1) Size can be customized, thinner, wider or longer
- 2) High Capacity, single cell from 100-10000mAh.
- 3) Rechargeable.
- 4) Environmental Protection economy.
- 5) Technique can be customized.
- 6) High energy density.
- 7) Fastest Charger
- 8) Reliable and safety performance.
- 9) Cycle life over 2000times

8. Major Applications:

- 1) Wind Energy
- 2) Tablet PC
- 3) Satellite Positioning systems
- 4) Beauty Equipments
- 5) Solar Energy Streetlights
- 6) Automatic Sweeper
- 7) Potable DVD
- 8) LED Lighting
- 9) Field Mower
- 10) Bluebooth headset
- 11) Thermal Cloth
- 12) Remote Control Toys
- 13) Telecommunication Devices
- 14) Model Aircraft
- 15) UAV
- ...

For more models/details, pls contact us directly, thank you!

Battery Cells	Battery Pack	Application products
 IFR32650 3.2V 5000mAh	 IFR32650 12.8V20Ah	 Solar LED Street light
 IFR32650 3.2V 5000mAh	 IFR32650 4S20P 12V 100Ah	 UPS
 ICR18650 3.7V 2000/2200/2600mAh	 ICR18650 6S103P 22.2V 206Ah	 E-Wheelchair
 -40 Low temp ICR18650 3.7V 2200mAh	 Low temp 7S39P 25.9V 85Ah	 E-bike
		 Base Station
		 E-scooter