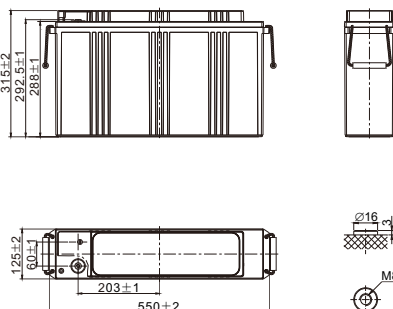


Layout



Specification

Nominal Voltage	12V	
Rated Capacity	140.0Ah	(C ₁₀ , 1.80V/cell)
Dimension	Length	550mm (21.65 in.)
	Width	125mm (4.92 in.)
	Container Height	315mm (12.40 in.)
	Total Height (with Terminal)	315mm (12.40 in.)
Approx Weight	55.0Kg (121.3lbs)	
Terminal	T6-A(M8)	
Container Material	ABS	
Capacity	143 Ah	(10hr, 14.3A, 1.80V/cell)
	121 Ah	(5hr, 24.2A, 1.75V/cell)
	108 Ah	(3hr, 36.0A, 1.75V/cell)
Short Circuit Current	1548A	
Internal Resistance	Approx 5 mΩ	
Operating Temp. Range	Discharge	-20°C~55°C (-4°F~131°F)
	Charge	0°C~40°C (32°F~104°F)
	Storage	-15°C~50°C (5°F~122°F)
Nominal Operating Temp. Range	25°C±3°C (77°F±5°F)	
Cycle Use(25°C)	Charging Current	≤42.0A
	Charging Voltage	2.30V~2.40V
	Temp. Coefficient	-4mV/cell/°C
Self Discharge	≤3% per month at 25°C	

Constant Current Discharge (Amperes) at 25 °C (77°F)

F.V/Time	1h	2h	3h	5h	8h	10h	12h	20h	24h	36h	48h	72h	100h	120h
1. 90V/cell	68.5	41.9	30.4	20.3	13.9	12.2	10.3	6.21	5.28	3.58	2.73	1.85	1.34	1.12
1. 85V/cell	77.2	47.2	34.3	22.8	15.7	13.7	11.6	7.00	5.95	4.04	3.07	2.08	1.51	1.27
1. 80V/cell	82.6	48.6	35.3	23.8	16.3	14.3	12.0	7.26	6.19	4.19	3.19	2.16	1.57	1.31
1. 75V/cell	84.9	49.6	36.0	24.2	16.5	14.5	12.2	7.36	6.25	4.24	3.23	2.19	1.59	1.33

Constant Power Discharge (Watts/cell) at 25 °C (77°F)

F.V/Time	1h	2h	3h	4h	5h	6h	7h	8h
1. 90V/cell	130.1	77.7	58.2	46.4	38.7	33.5	29.6	26.7
1. 85V/cell	146.6	87.6	65.6	52.3	43.6	37.7	33.3	30.1
1. 80V/cell	156.1	92.4	68.4	54.4	45.2	39.1	34.6	31.1
1. 75V/cell	159.9	94.1	69.3	55.1	45.8	39.5	34.8	31.2

Applications

- Mobile container storage system
- Peak load shifting energy storage system
- Load tracking energy storage system
- Oil and electricity hybrid energy storage system
- Grid frequency adjustment energy storage system
- New energy communication base station, IDC , UPS etc.
- New energy generation (solar, wind, PV/wind hybrid) access to energy storage systems

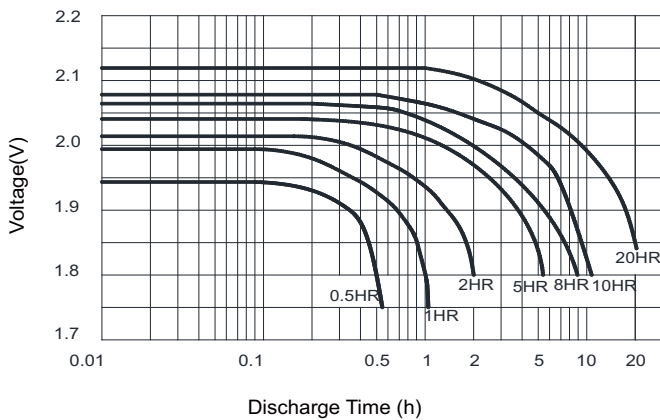
General Features

- Design life ≥ 15 years
- Adopt super carbon technology + deep cycle technology
- Excellent charging acceptance and super fast charge/large discharge performance
- Modular design and installation for less space, easy installation & maintenance
- Innovative robust design to ensure superb safety and reliability
- Horizontal installation, solve the problem of electrolyte stratification

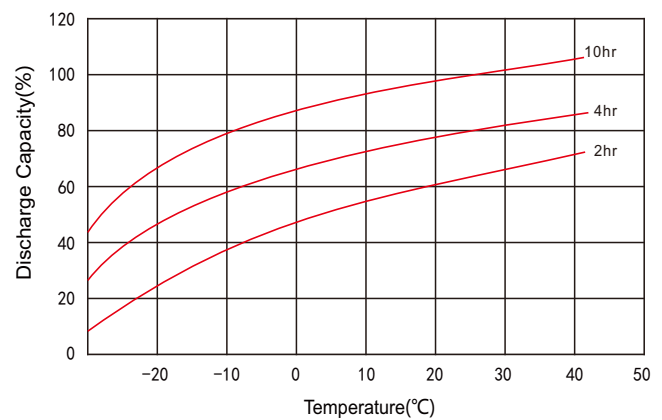
Standards

- IEC 60896
- IEC61427
- BS EN61427
- GB/T22473-2008
- CGC-SOLAR
- Manufactured in Leoch® TS16949, ISO9001 and ISO14001 certified production facilities

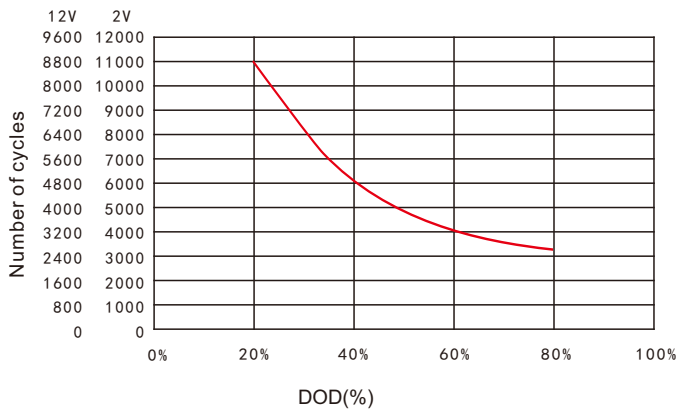
Discharge Characteristics



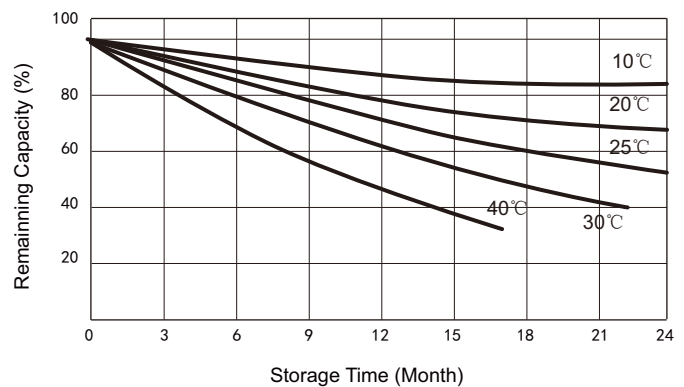
Temperature effects in relation to battery capacity



Cycle Life in Relation to Depth of Discharge



Self Discharge Characteristics



Sales Offices Worldwide

China Sales Office

5th Floor, Xinbaohui Bldg., Nanhai Blvd.,
Nanshan, Shenzhen, China. 518052
Tel: +86-755-86036060 (100 lines)
Fax: +86-755-26067269
E-mail: export@leoch.com

HongKong Sales Office

Workshop C, 33/F, TML Tower, No. 3 Hoi Shing Road,
Tsuen Wan, New Territories, Hong Kong
Tel: +852 35786666
Fax: +44 1452 690125
E-mail: sales.hk@leoch.com

Singapore Sales Office

No. 1 Tech Park Crescent,
Singapore 638131
Tel: +65 68636078
Fax: +65 6863 6079
Email: sales.sg@Leoch.com

Australia Sales Office

2/29 Tarlington Place, Smithfield, NSW 2164
Australia
Tel: 02 9756 0950
E-mail: sales.au@leoch.com

North America Sales Office

19751 Descartes
Foothill Ranch, CA 92610, USA
Tel: 949-588-5853
Fax: 949-588-5966
E-mail: sales@leoch.us

UK Sales Office

9B Wheatstone Court, Waterwells, Business Park,
Gloucester, GL2-2AQ, UK United Kingdom
Tel: +44(0) 1452 729428 / 1452 729696
Fax: +44 1452 690125
E-mail: Sales.Europe@leoch.com

EMEA Sales Office

1 Deligiorgi St., 121 31 Athens,
Greece
Tel: +30 210 5760318 (2 lines)
E-mail: support_EMEA@leoch.com

India Sales Office

Shed no.A-53(b), 2nd Stage of Peenya Industrial Area,
Bangalore North Taluk, Bangalore-560058, India
Tel: +91-80-23440018/23440019
Fax: +91-80-23440017
E-mail: indiasales@leoch.com



[Http://www.leoch.com](http://www.leoch.com)
[Http://www.leoch.us](http://www.leoch.us)

© 2017 LEOCH. All rights reserved.

Trademarks and logos are the property of LEOCH and its affiliates unless otherwise noted.
Subject to revisions without prior notice.

Publication No.:LB-LRCF12-140-PD-EN-V1.0-201712