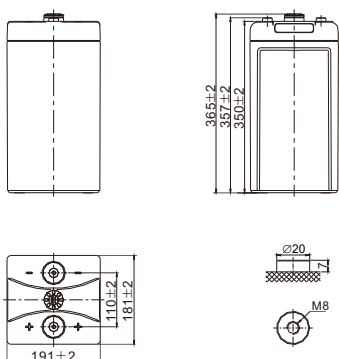


## Layout



## Specification

Nominal Voltage	2V	
Rated Capacity	400.0Ah	(C <sub>10</sub> , 1.80V/cell)
Dimension	Length	191mm (7.52 in.)
	Width	181mm (7.13 in.)
	Container Height	350mm (13.78 in.)
	Total Height (with Terminal)	365mm (14.37 in.)
Approx Weight	31.0Kg (68.3 lbs)	
Terminal	T11(M8)	
Container Material	ABS	
Capacity	428 Ah	(10hr, 42.8A, 1.80V/cell)
	376 Ah	(5hr, 75.2A, 1.75V/cell)
	325.5 Ah	(3hr, 108.5A, 1.75V/cell)
Short Circuit Current	5440A	
Internal Resistance	Approx 0.6 mΩ	
Operating Temp. Range	Discharge	-20°C~55°C (-4°F~131°F)
	Charge	0°C~40°C (32°F~104°F)
	Storage	-15°C~50°C (5°F~122°F)
Nominal Operating Temp. Range	25°C±3°C (77°F±5°F)	
Cycle Use(25°C)	Charging Current	≤120.0A
	Charging Voltage	2.30V~2.40V
	Temp. Coefficient	-4mV/cell/°C
Self Discharge	≤3% per month at 25°C	

## Constant Current Discharge (Amperes) at 25 °C (77°F)

F.V/Time	15min	30min	1h	3h	5h	8h	10h	20h	48h
1. 90V/cell	340.3	253.0	176.3	93.0	68.2	48.2	40.3	21.8	9.30
1. 85V/cell	399.8	294.6	199.1	99.6	70.9	50.1	41.7	22.3	9.55
1. 80V/cell	454.5	330.5	220.3	105.3	73.4	51.6	42.8	23.2	9.87
1. 75V/cell	554.9	352.5	235.8	108.5	75.2	52.6	43.9	23.6	10.0

## Constant Power Discharge (Watts/cell) at 25 °C (77°F)

F.V/Time	15min	30min	1h	3h	5h	8h	10h	20h	48h
1. 90V/cell	665.0	508.0	364.1	188.7	133.6	89.8	75.5	45.1	19.2
1. 85V/cell	765.0	601.8	422.3	203.0	137.7	95.9	80.6	46.5	19.9
1. 80V/cell	840.5	677.3	464.1	214.2	142.8	100.0	83.6	48.4	20.6
1. 75V/cell	882.3	702.8	475.3	222.4	146.9	103.0	85.7	49.3	21.0

## Applications

- Mobile container storage system
- Peak load shifting energy storage system
- Load tracking energy storage system
- Oil and electricity hybrid energy storage system
- Grid frequency adjustment energy storage system
- New energy communication base station, IDC , UPS etc.
- New energy generation (solar, wind, PV/wind hybrid) access to energy storage systems

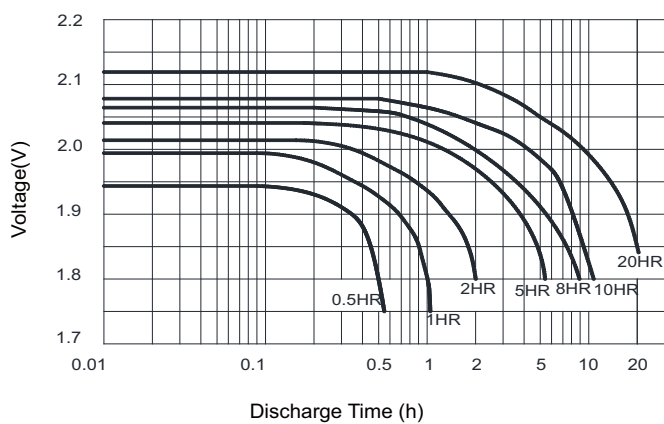
## General Features

- Design life  $\geq 15$  years
- Adopt super carbon technology + deep cycle technology
- Excellent charging acceptance and super fast charge/large discharge performance
- Modular design and installation for less space, easy installation & maintenance
- Innovative robust design to ensure superb safety and reliability
- Horizontal installation, solve the problem of electrolyte stratification

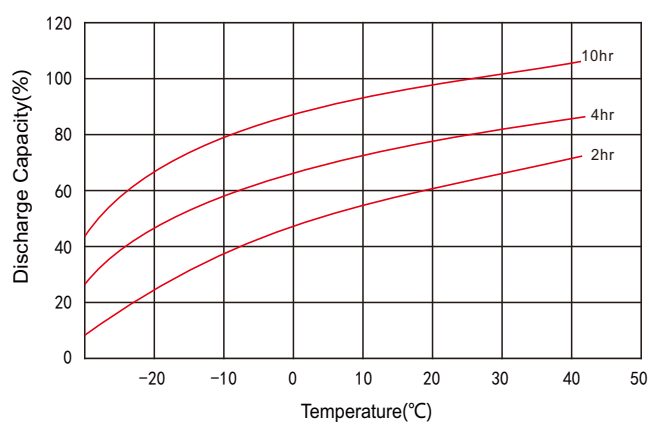
## Standards

- IEC 60896
- IEC61427
- BS EN61427
- GB/T22473-2008
- CGC-SOLAR
- Manufactured in Leoch® TS16949, ISO9001 and ISO14001 certified production facilities

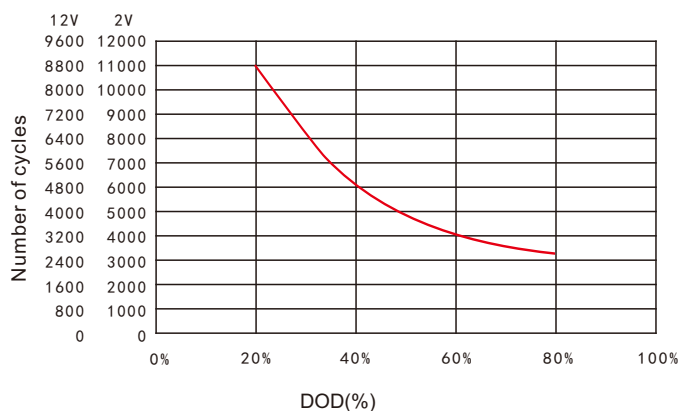
### Discharge Characteristics



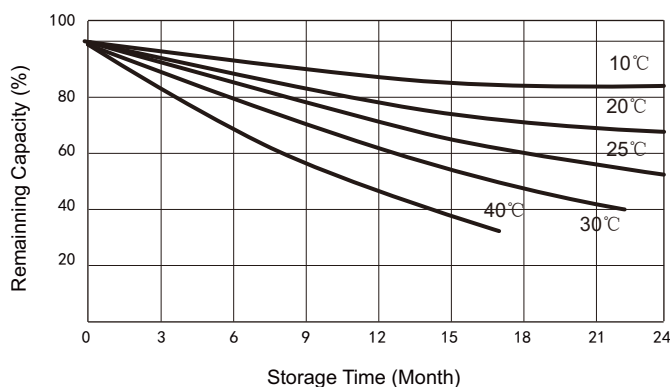
### Temperature effects in relation to battery capacity



### Cycle Life in Relation to Depth of Discharge



### Self Discharge Characteristics



## Sales Offices Worldwide

### China Sales Office

5th Floor, Xinbaohui Bldg., Nanhai Blvd.,  
Nanshan, Shenzhen, China. 518052  
Tel: +86-755-86036060 (100 lines)  
Fax: +86-755-26067269  
E-mail: export@leoch.com

### HongKong Sales Office

Workshop C, 33/F, TML Tower, No. 3 Hoi Shing Road,  
Tsuen Wan, New Territories, Hong Kong  
Tel: +852 35786666  
Fax: +44 1452 690125  
E-mail: sales.hk@leoch.com

### Singapore Sales Office

No. 1 Tech Park Crescent,  
Singapore 638131  
Tel: +65 68636078  
Fax: +65 6863 6079  
Email: sales.sg@Leoch.com

### Australia Sales Office

2/29 Tarlington Place, Smithfield, NSW 2164  
Australia  
Tel: 02 9756 0950  
E-mail: sales.au@leoch.com

### North America Sales Office

19751 Descartes  
Foothill Ranch, CA 92610, USA  
Tel: 949-588-5853  
Fax: 949-588-5966  
E-mail: sales@leoch.us

### UK Sales Office

9B Wheatstone Court, Waterwells, Business Park,  
Gloucester, GL2-2AQ, UK United Kingdom  
Tel: +44(0) 1452 729428 / 1452 729696  
Fax: +44 1452 690125  
E-mail: Sales.Europe@leoch.com

### EMEA Sales Office

1 Deligiorgi St., 121 31 Athens,  
Greece  
Tel: +30 210 5760318 (2 lines)  
E-mail: support\_EMEA@leoch.com

### India Sales Office

Shed no.A-53(b), 2nd Stage of Peenya Industrial Area,  
Bangalore North Taluk, Bangalore-560058, India  
Tel: +91-80-23440018/23440019  
Fax: +91-80-23440017  
E-mail: indiasales@leoch.com



[Http://www.leoch.com](http://www.leoch.com)  
[Http://www.leoch.us](http://www.leoch.us)

© 2017 LEOCH. All rights reserved.

Trademarks and logos are the property of LEOCH and its affiliates unless otherwise noted.  
Subject to revisions without prior notice.

Publication No.:LB-LRC2-400-PD-EN-V1.0-201712