



YS310-330SM / PERC Monocrystalline Single Glass 60 Series

310W/315W/320W/325W/330W

**10**  
Years

Product warranty

**25**  
Years

Linear power  
output  
Warranty



### High output efficiency

PID Free ensuring high efficiency output of the system.



### Superior weak light effect

Excellent module efficiency in the weak light conditions.



### Excellent loading capacity

Passed mechanical load testing 5400Pa



### Strong adaptability

Passed TUV salt mist and ammonia resistance testing.



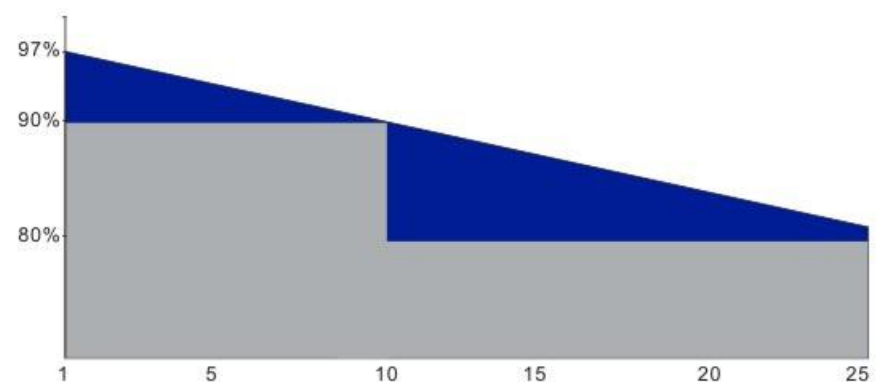
### Easy Installation

Suitable for a variety of applications



### Durability

High quality raw materials and fine workmanship



GREEN ENERGY PRODUCTS



Tel: +86 753 2880123

Email: [info@gdyssolar.com](mailto:info@gdyssolar.com)

Web: [www.gdyssolar.com](http://www.gdyssolar.com)

Guangdong Yaosheng Solar Technology Co., Ltd.

## SPECIFICATION

Module	YS310SM-60PR	YS315SM-60PR	YS320SM-60PR	YS325SM-60PR	YS330SM-60PR
Maximum Power (Pmax W)	310	315	320	325	330
Open-circuit Voltage (Voc V)	40.30	40.53	40.78	41.04	41.30
Maximum Power Voltage (Vmp V)	32.60	32.89	33.17	33.44	33.75
Short-circuit Current (ISC A)	10.04	10.11	10.18	10.25	10.32
Maximum Power Current (Imp A)	9.51	9.58	9.65	9.72	9.78
Module Efficiency STC (%)	18.80	19.10	19.40	19.70	20.00
Power Tolerance	0~+5W				
Temperature coefficients of Isc(A-Isc)	+0.060%/°C				
Temperature coefficients of Voc(B-Voc)	-0.300%/°C				
Temperature coefficients of Pmax(C-Pmp)	-0.370%/°C				
Standard Testing Condition(STC)	Irradiance 1000W/ m <sup>2</sup> , Cell Temperature 25°C ± 2 , AM1.5G				

Remark: The technical specification belongs to monocrystalline 60-cell PERC module only.

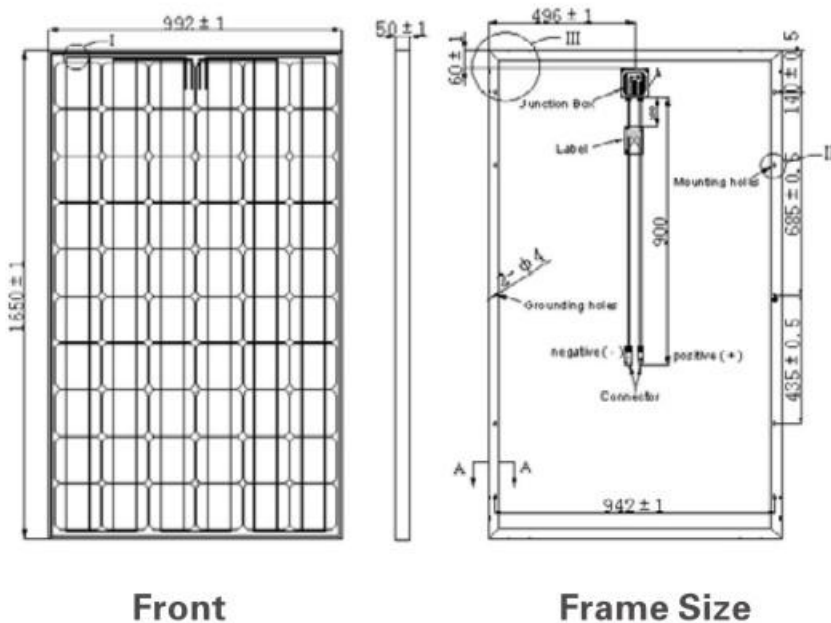
## SPECIFICATION

Module Type	Monocrystalline
Dimension	1650*992*35(mm)
Weight	18.2 (kg)
No. of Cells	60 (pcs)
Packing	30sets/ctn

## APPLICATION

Maximum System Voltage	1000V/1500V DC(IEC)
Operating Temperature	-40°C~+85°C
Maximum Series Fuse Rating	20A
Nominal Operating Cell Temperature (NOCT)	45 ± 2°C
Application Class	Class A

## Engineering Drawing



## Linear Characteristic

