

SAKURA SOLAR

SKP-6MA

330~375W
Mono-crystalline

19.3%

Maximum Module Efficiency

375W

Maximum Power

Dimension : 1960×992×40mm

Weight : 22.5kg

Number of Cells : 72 (6×12)



25-year

Warranty for
Power output

10-year

Warranty for
Materials and
Processing



JSF CORPORATION (PVT) LTD

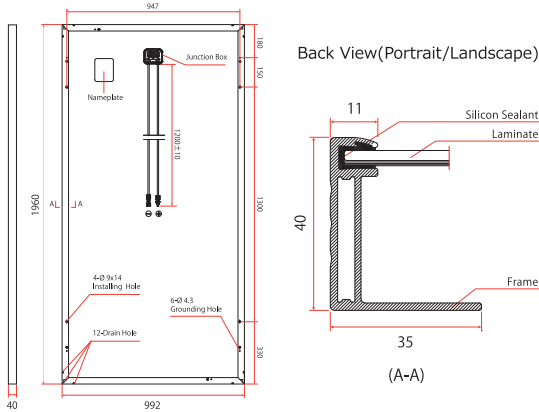
Spur Road 4, Lot 25B, Phase 1, Katunayake Export and processing Zone
Katunayake, Sri Lanka

TEL +94 11 22 65084 FAX +94 11 22 65081



SAKURA SOLAR

Mechanical Detail (mm)



Mechanical Parameters

Number of Cells: 72 (6×12)
 Output Cable: 4mm², 1200mm in length
 Connector: UTX/MC4 EVO2/TS4*
*Please refer to regional datasheet for specified connector.
 Weight: 22.5kg
 Dimension: 1960×992×40mm

Operating Parameters

Operating Temperature: -40°C~+85°C
 Maximum System Voltage(V): DC1000V(IEC)
 NOCT: 45°C±2°C

Electrical Characteristics

Type	SKP-340-6MA	SKP-345-6MA	SKP-350-6MA	SKP-355-6MA	SKP-360-6MA	SKP-365-6MA	SKP-370-6MA	SKP-375-6MA
Testing Condition	STC	STC	STC	STC	STC	STC	STC	STC
Maximum Power(Pmax/W)*	340	345	350	355	360	365	370	375
Open Circuit Voltage(Voc/V)	46.2	46.7	47.0	47.4	47.7	48.0	48.3	48.5
Short Circuit Current(Isc/A)	9.50	9.55	9.60	9.65	9.70	9.77	9.83	9.88
Voltage at Maximum Power(Vmp/V)	38.2	38.5	38.7	38.8	39.0	39.3	39.7	40.0
Current at Maximum Power(Impp/A)	8.90	8.96	9.04	9.14	9.24	9.30	9.33	9.37
Module Efficiency(%)	17.5	17.7	18.0	18.3	18.5	18.8	19.0	19.3

STC (Standard Testing Conditions): Irradiance 1000W/m², Cell Temperature 25°C, Air Mass AM1.5

*Measuring tolerance: ±3%

Temp.Coefficient (STC Testing)

Temperature Coefficient of Isc 0.05%/°C
 Temperature Coefficient of Voc -0.29%/°C
 Temperature Coefficient of Pmax -0.39%/°C

Load

Maximum Front Static Load (Snow) 5400Pa
 Maximum Rear Static Load (Wind) 2400Pa

JSF CORPORATION (PVT) LTD

Spur Road 4, Lot 25B, Phase 1, Katunayake Export and processing Zone
 Katunayake, Sri Lanka

TEL +94 11 22 65084 FAX +94 11 22 65081



SAKURA SOLAR