

72CELL

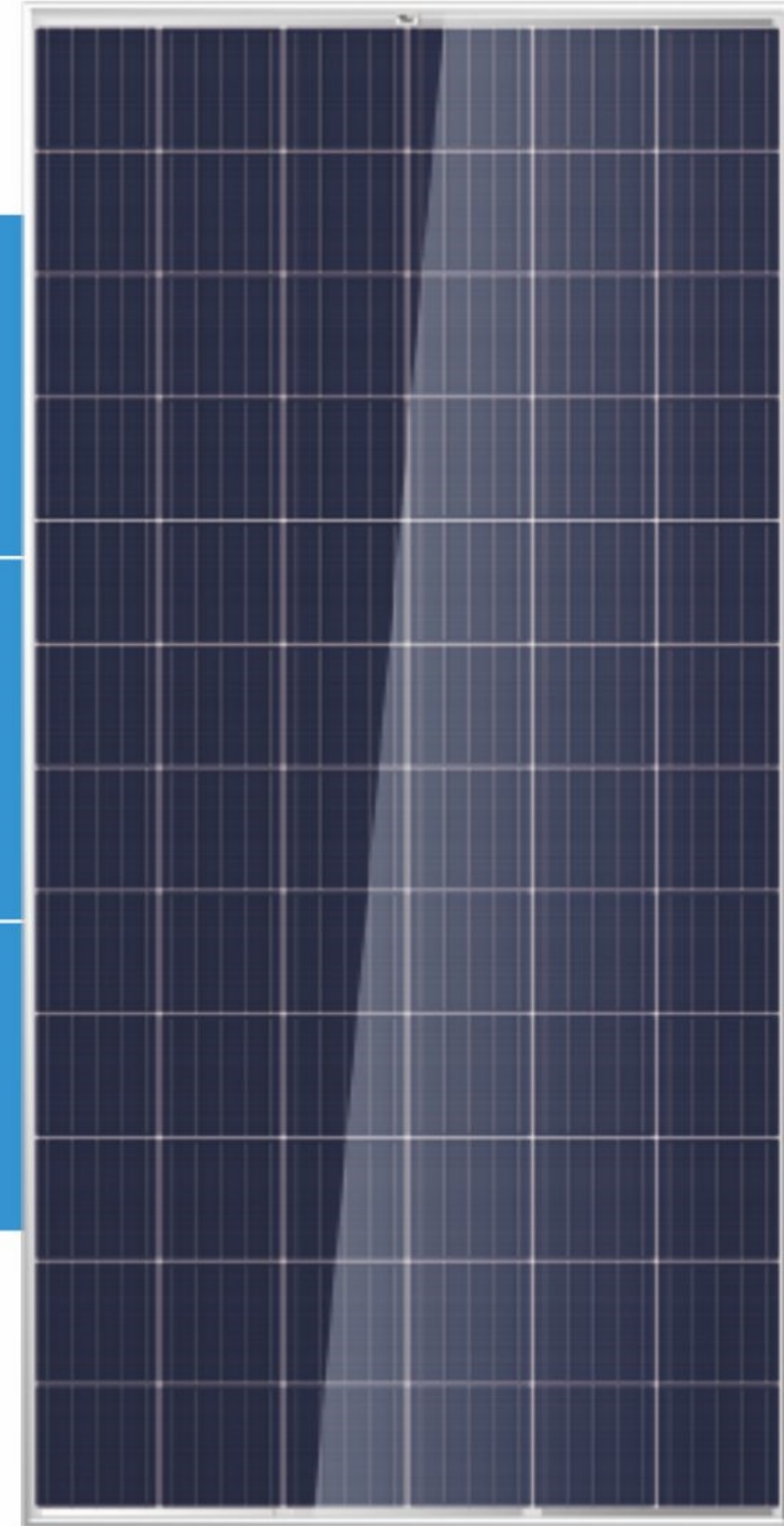
POLYCRYSTALLINE MODULE

325-345W

POWER OUTPUT RANGE

0~+5W

POSITIVE POWER T



Tunghsu persist Long-lasting and stable quality

- Advanced production equipment, International first-class production technology, Achieved high module conversion efficiency 17.7%
- Excellent performance for resist wind pression and snow load, full module passed wind pression and snow load, full module passed wind pression (2400Pa) and snow load (5400Pa) test
- Excellent weak light performance, Resistant to salt spray and ammonia corrosion
- Passing the certification test of photovoltaic standards
- Certified by international quality management and environmental management system ISO9001, OHSAS18001, ISO14001
- Application grade: A grade, Safe class: II, Fireproofing grade: C

Comprehensive Products And System Certificates

IEC61215/IEC61730/UL1703/IEC61701/IEC62716

ISO 9001: Quality Management System

ISO 14001: Environmental Management System

OHSAS 18001: Occupation Health and Safety

Management System

GB/T 23001-2017: Management system with

Integration of Information

Technology and Industrialization



Ideal for large scale installations

- * High powerful footprint reduces installation time and BOS costs



One of the industrys most trusted modules

- * Field proven performance
- * Strong, reliable supplier



Highly reliable due to stringent quality control

- * In-house testing goes well beyond certification requirements (UV, TC, HF, and many more)
- * PID resistant

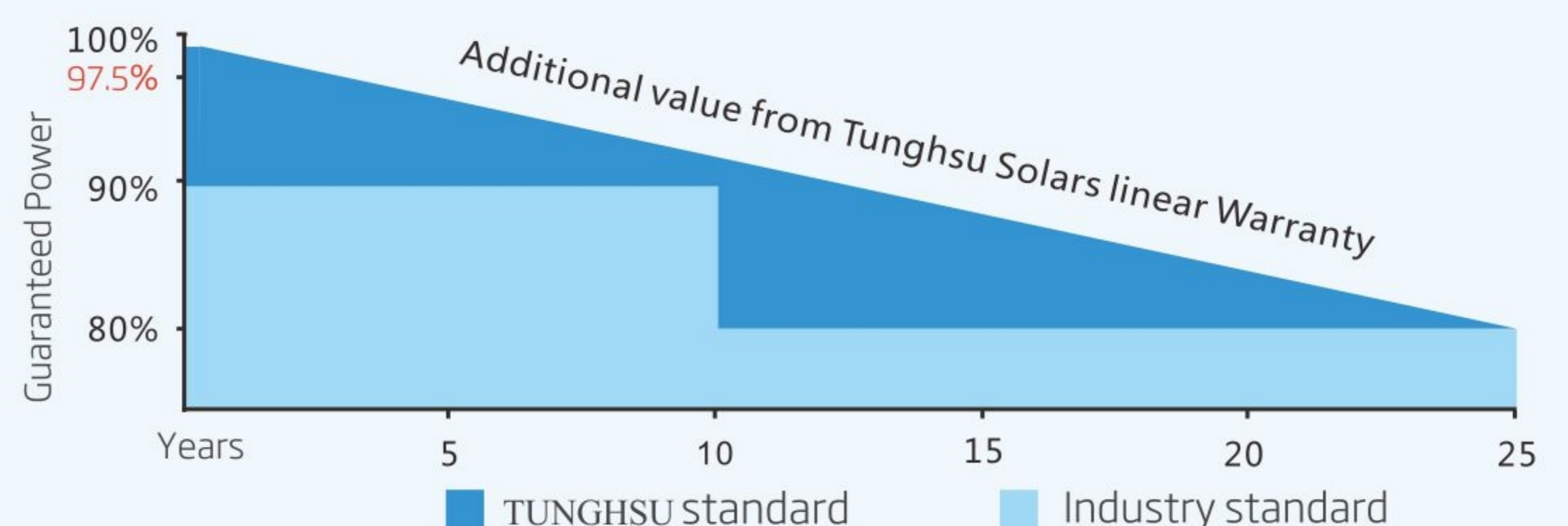


Certified to withstand the most challenging environmental conditions

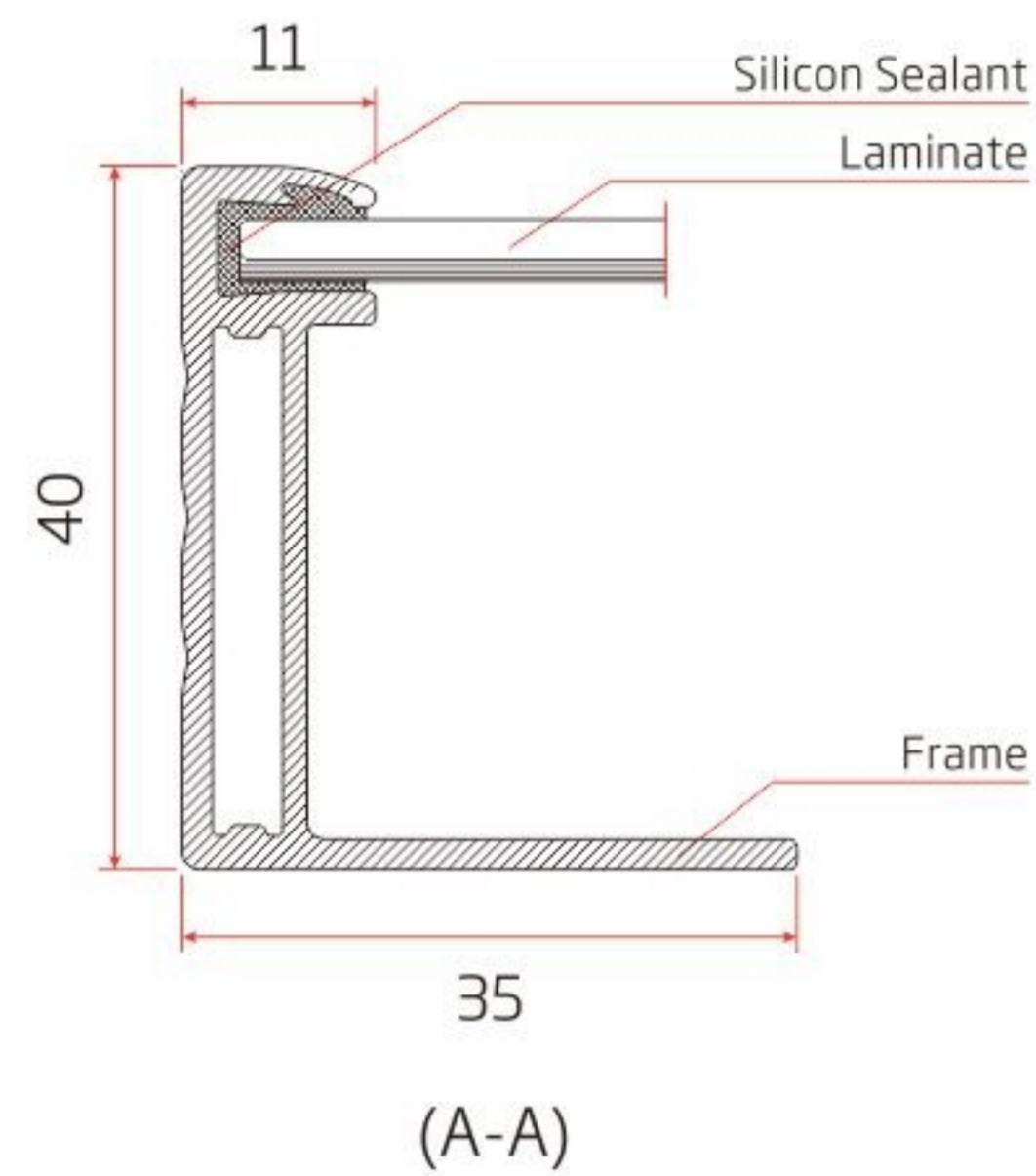
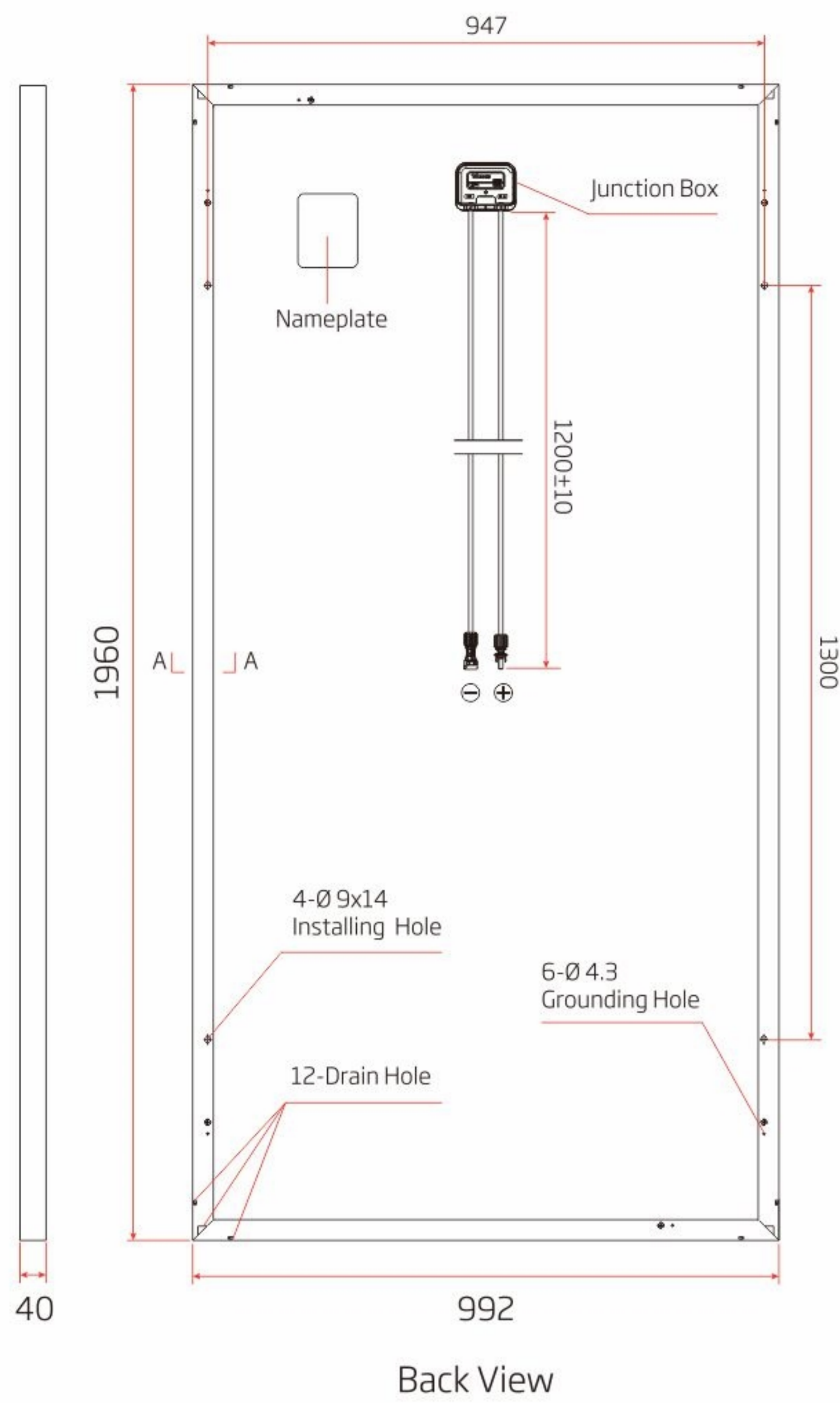
- * **2400** Pa wind load
- * **5400** Pa snow load

LINEAR PERFORMANCE WARRANTY

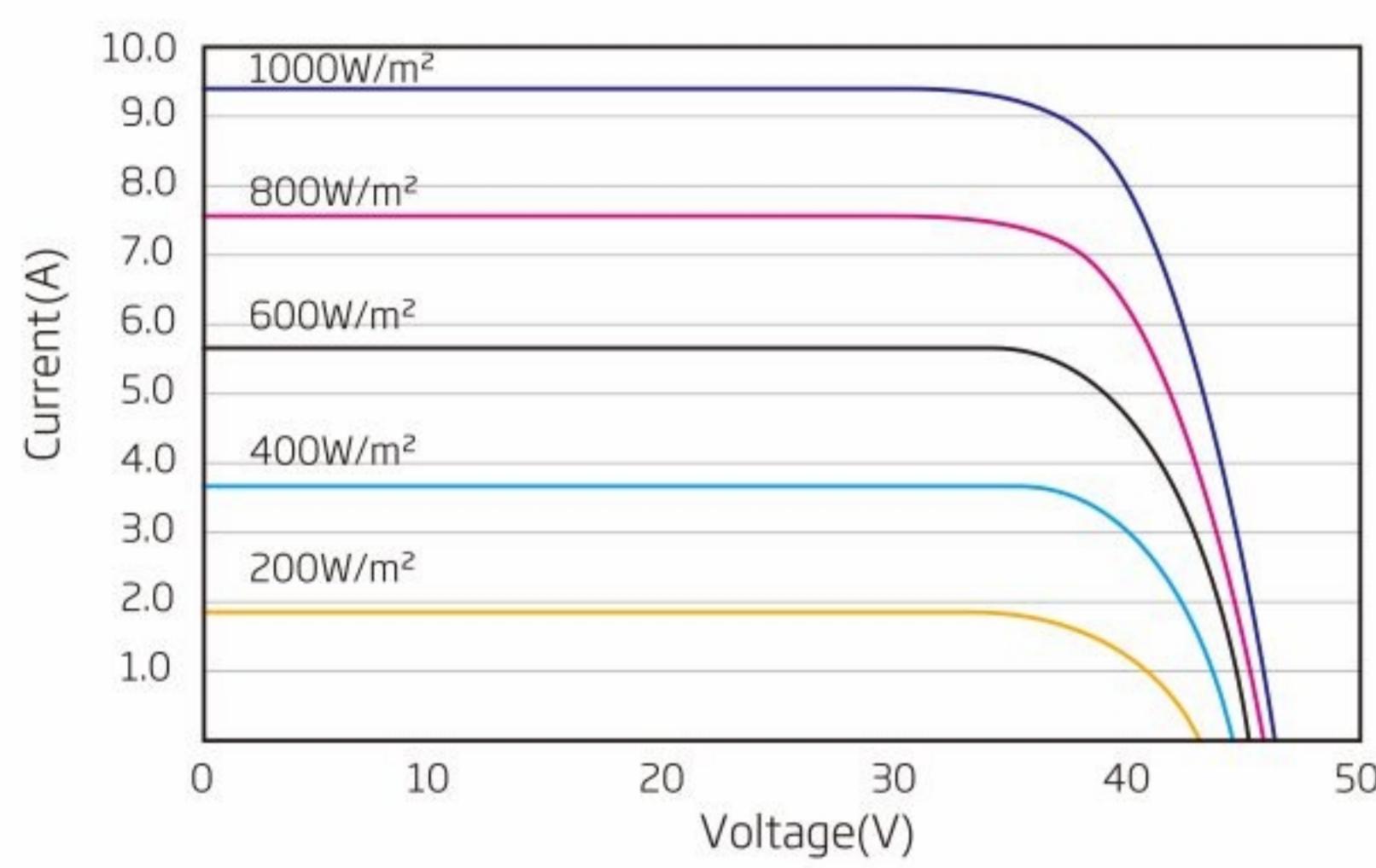
- * 10 Year Product Warranty
- * 25 Year Linear Power Warranty



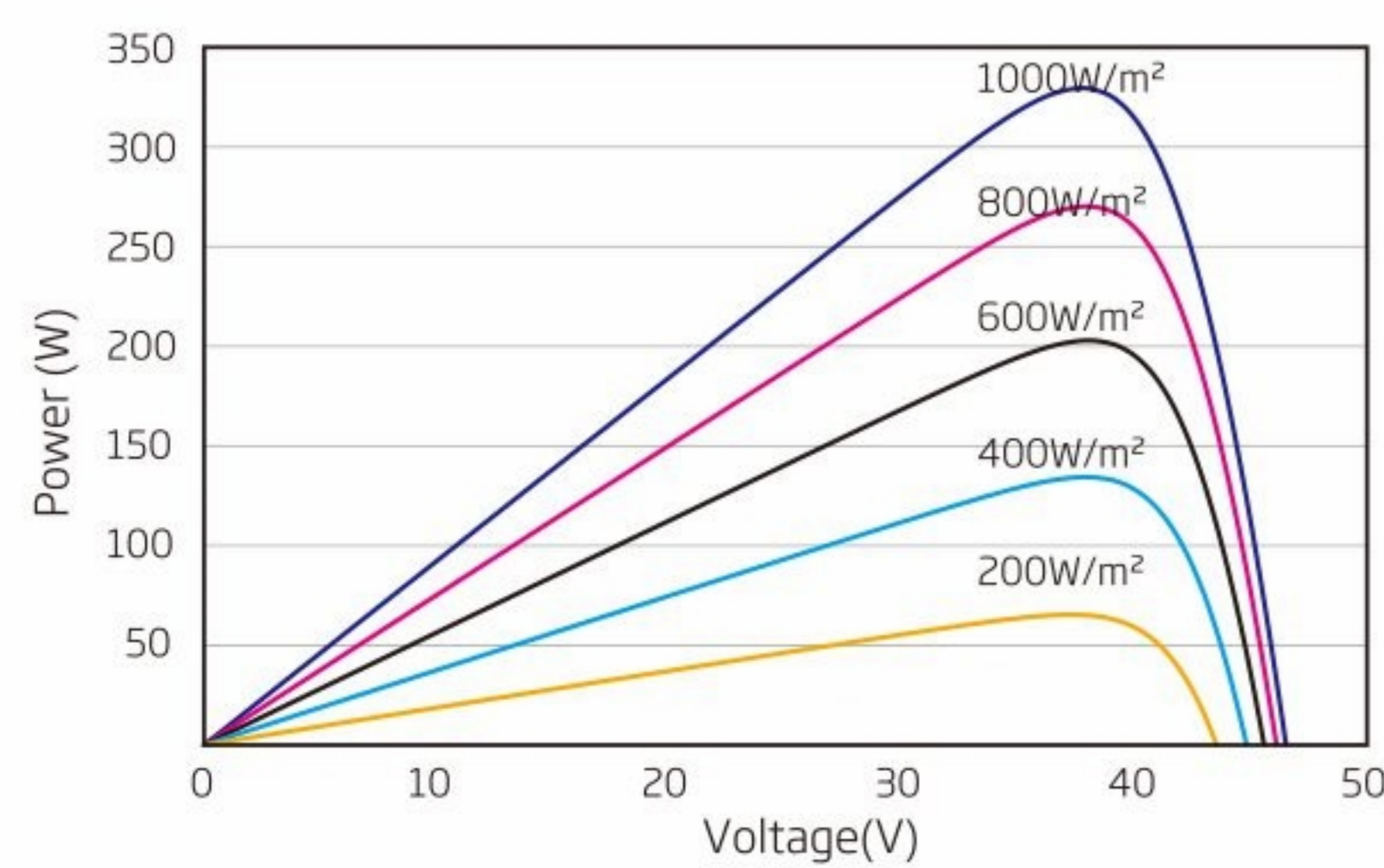
DIMENSIONS OF PV MODULE(mm)



I-V CURVES OF PV MODULE(335W)



P-V CURVES OF PV MODULE(335W)



ELECTRICAL DATA (STC)

Peak Power Watts- P_{MAX} (Wp)	325	330	335	340	345
Power Output Tolerance- P_{MAX} (W)	0 ~ +5				
Maximum Power Voltage- V_{MPP} (V)	37.2	37.4	37.6	37.8	38.0
Maximum Power Current- I_{MPP} (A)	8.73	8.83	8.91	8.99	9.08
Open Circuit Voltage- V_{OC} (V)	45.6	45.8	46.0	46.2	46.3
Short Circuit Current- I_{SC} (A)	9.19	9.28	9.35	9.42	9.57
Module Efficiency η_m (%)	16.7	17.0	17.2	17.5	17.7

STC: Irradiance 1000W/m², Cell Temperature 25°C, Air Mass AM1.5.

ELECTRICAL DATA (NOCT)

Maximum Power- P_{MAX} (Wp)	241	245	249	252	256
Maximum Power Voltage- V_{MPP} (V)	34.4	34.6	34.8	35.0	35.2
Maximum Power Current- I_{MPP} (A)	7.00	7.08	7.14	7.21	7.28
Open Circuit Voltage- V_{OC} (V)	42.2	42.4	42.6	42.8	43.0
Short Circuit Current- I_{SC} (A)	7.42	7.49	7.55	7.60	7.66

NOCT: Irradiance at 800W/m², Ambient Temperature 20°C, Wind Speed 1m/s.

MECHANICAL DATA

Solar Cells	Multicrystalline 156.75 × 156.75 mm (6 inches)
Cell Orientation	72 cells (6 × 12)
Module Dimensions	1960 × 992 × 40 mm (77.2 × 39.1 × 1.57 inches)
Weight	22.5 kg (49.6 lb)
Glass	3.2 mm (0.13 inches), High Transmission, AR Coated Tempered Glass
Backsheet	White
Frame	Silver Anodized Aluminium Alloy
J-Box	IP 67 or IP 68 rated
Cables	Photovoltaic Technology Cable 4.0mm ² (0.006 inches ²), 1200 mm (47.2 inches)
Connector	MC4/UTX/TS4/QC4*

TEMPERATURE RATINGS

NOCT (Nominal Operating Cell Temperature)	44°C (±2°C)
Temperature Coefficient of P_{MAX}	-0.41%/°C
Temperature Coefficient of V_{OC}	-0.32%/°C
Temperature Coefficient of I_{SC}	0.05%/°C

MAXIMUM RATINGS

Operational Temperature	-40~+85°C
Maximum System Voltage	1000V DC (IEC) 1000V DC (UL)
Max Series Fuse Rating	15A

(DO NOT connect Fuse in Combiner Box with two or more strings in parallel connection)

WARRANTY

10 year Product Workmanship Warranty

25 year Linear Power Warranty

PACKAGING CONFIGURATION

Modules per box: 27pieces

Modules per 40' container: 648 pieces

Note: Please read the safety and installation instructions before using the product. Anhui Tunghsu Kangtu Solar Technology Co., Ltd. All rights reserved. Specifications of this data sheet are subject to change without further notice.



Add : Meishan Lake Road, Modern Industrial Park, Jinzhai County, Lu'an City, Anhui Province
Tel : +86-564-7069082
Mobile : +86-564-7069082
P.C. : 237300
E-mail : dxkt@dong-xu.com