

# Micro Sun Series

Monocrystalline  
60 - cell Module

TW-250MM

**250W**

0-3% Positive Tolerance



Monocrystalline



Grade A

## Quality Certification



Scope:

This Product Specification indicates the details of this product's Scale, Performance, and Lab Test results.

### Module Specification

Module Size	1640*992*35mm
Weight	17kg
Cell Type	Mono crystalline 157*157mm, 60 Pieces(6*10)
Glass	3.2mm
Frame	Anodized aluminum alloy
Junction Box	Ip68
Module Material	EVA, PET/TPT
Cable	4mm <sup>2</sup> , MC4compatible

### Electrical Characteristics

Voc(V)	21.80V
Isc(A)	13.95A
Vmp(V)	18.24V
Imp(A)	13.16A
Pmax(W)	250W
Temp	-45°C-+85°C

### Temperature Characteristics

Power Tolerance	±5%
Max.Power Temp.	-0.350%/C
Open circuit Voltage Temp.	-0.275%/C
Shot circuit current Temp.	+0.046%/C
Max.System Voltage(V)	1000V



General Specification:

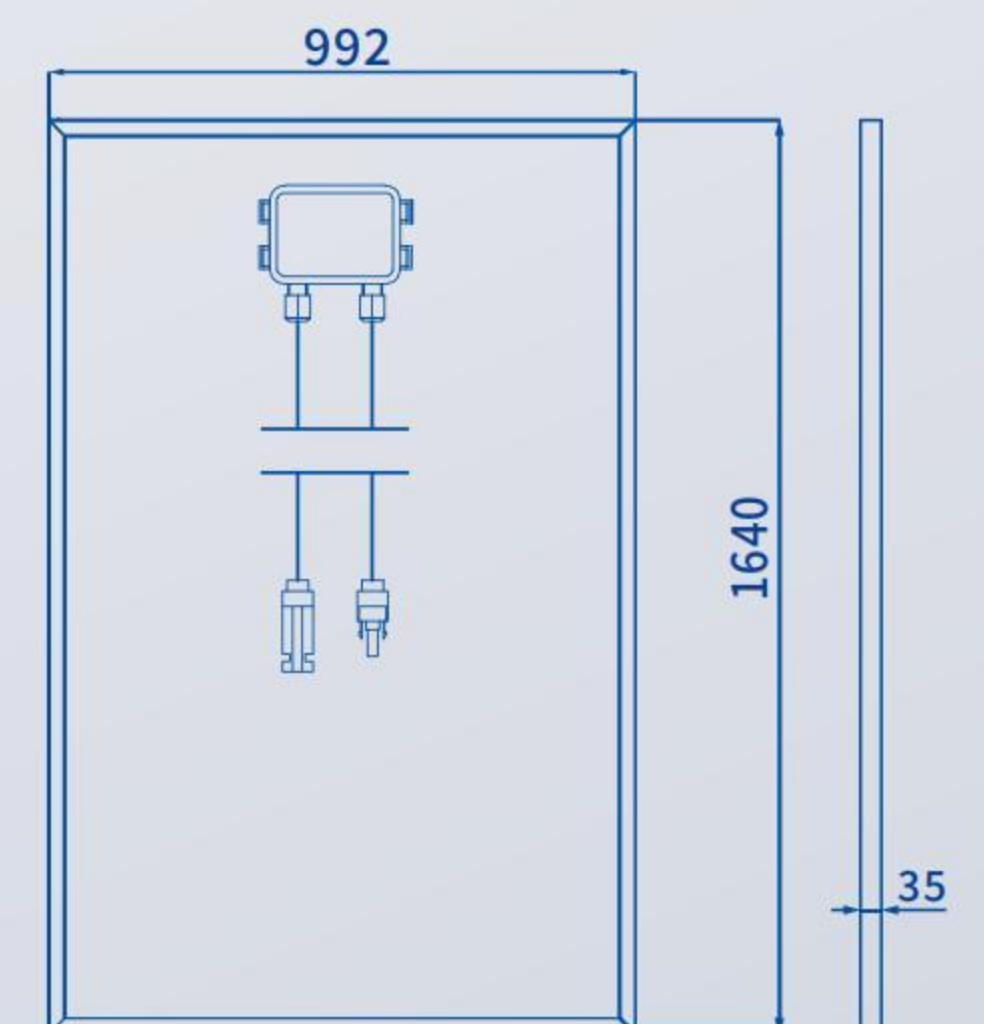
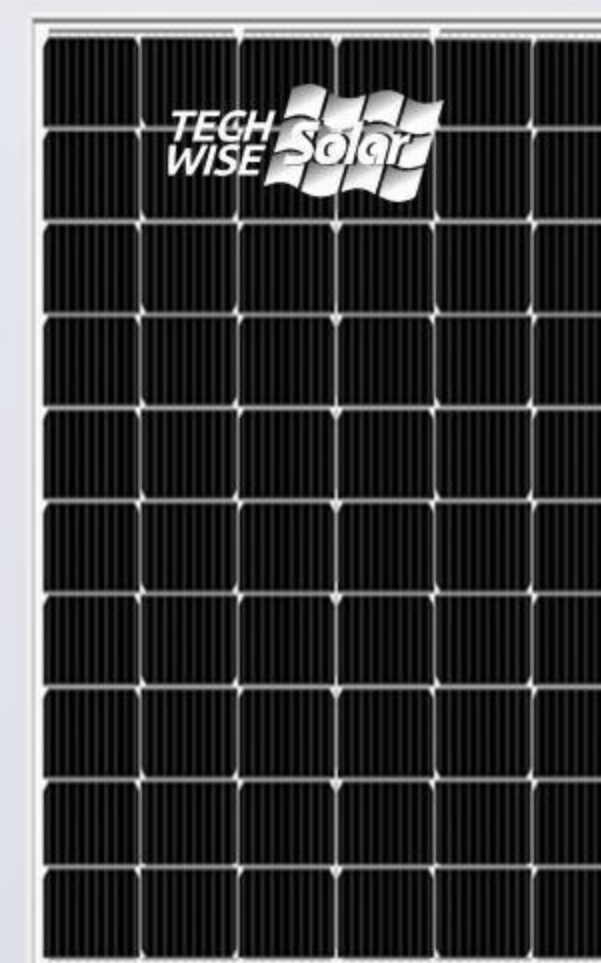
1 Scope of Product Application:


This Product is applicable in Solar Module matrix and Solar System for both domestic home and industrial purpose.

2 Test Condition:

Irradiance 1000W/m<sup>2</sup>, Module Temperature 25°C, AM1.5

### Engineering Drawings



 12 Years Product Warranty

 25 Years Linear Power Warranty

Environment Condition:

- 1.Storage: -20°C-60°C
- 2.Do not block, expose under sun light

Please Be Aware:

- 1.Do not apply exceeds standard rate of work.
2. Avoid any scratches during installation.
- 3.Do not bend during usage or transportation.
- 4.Do not contact with any strong corrosion materials.
5. Identify correct Positive and Negative polarity during installing.



Add: Shangman Industrial Park, Caobu Town  
Rudong County, Nantong City, Jiangsu Province, China  
Tel: 86-513-81900128  
Web: [www.techwisesolar.com](http://www.techwisesolar.com)  
Email: [salesdept@techwisesolar.com](mailto:salesdept@techwisesolar.com)

All data and specifications included in this brochure may subject to be modified without notice.  
All Rights reserved by TechWise Solar Co.  
(Feb 2023 V2 Edition)