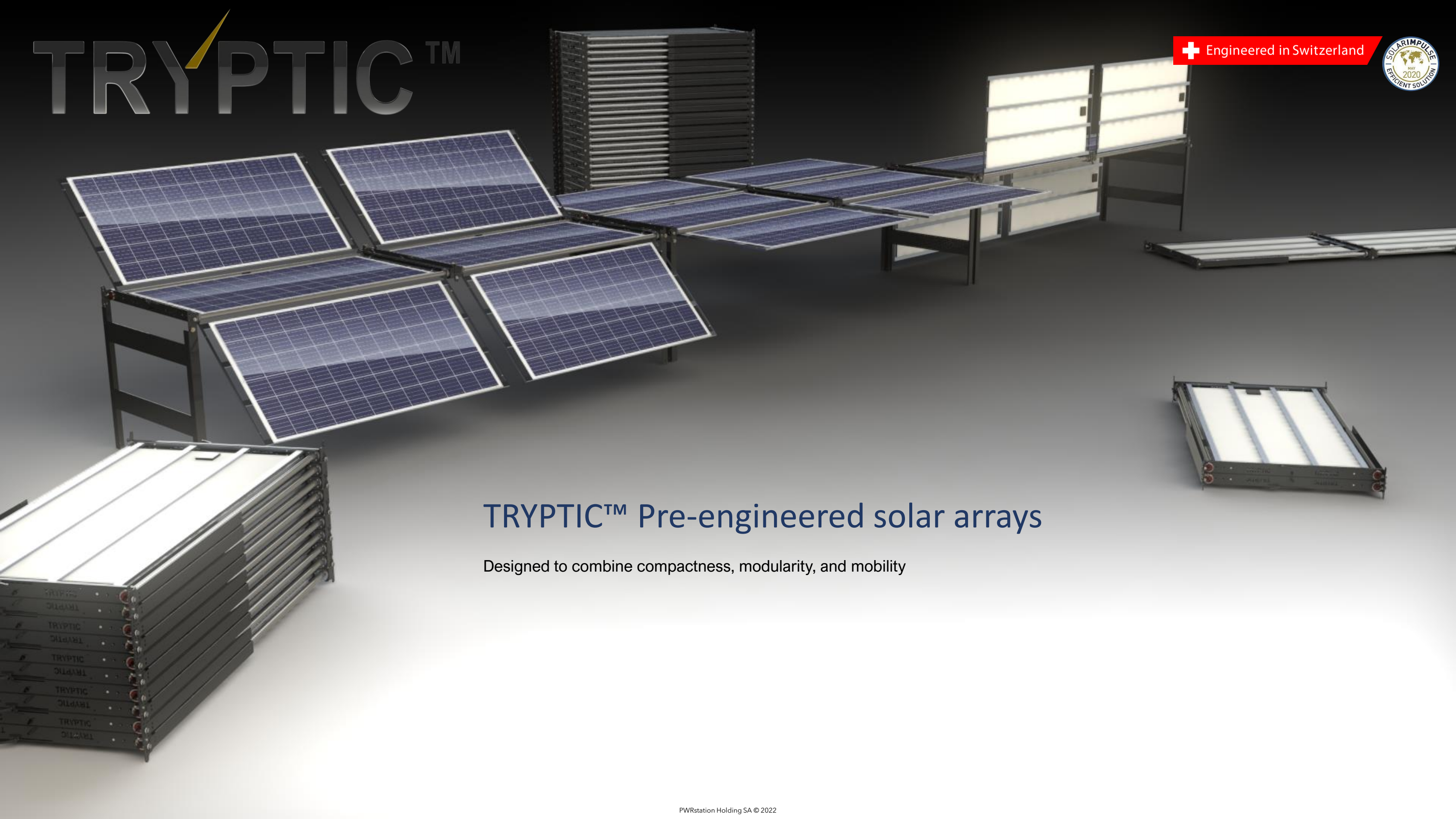


# TRYPTIC™

⊕ Engineered in Switzerland



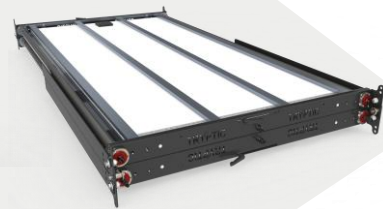
## TRYPTIC™ Pre-engineered solar arrays

Designed to combine compactness, modularity, and mobility

## Solar Power. Simply Delivered.



The shortest route from container to power plant



### KEY FEATURES

- Narrower or no corridors
  - Increased production per square meter
- Optimal solar module orientation
  - Increased energy production per kWp
- Top-down sizing based on Sea Containers
  - Lower shipping/relocation costs
- Factory-preassembled and pre-wired:
  - Improved quality and reliability
  - Fewer experts in the field, resulting in more projects in the Pipeline
- Versatile
  - Can be used on flat roofs or on the ground, in all projects from residential to utility scale

	Units per pallet	Pallets per 40' HC container	Pallets per 20' HC container
	18	8	4
Total power (kWp)	22	177	88,5



Quick Clips

## OPERATION

1. Release a TRYPTIC by removing the 4 Quick Clips and place it on the ground
2. Place Tryptic on its legs
3. Secure to the ground with anchors or ballast
4. Loosen the handles, adjust the opening angle, tighten the handles

## Unparalleled Benefits

Tryptic™ is a solar asset that can be rented or leased for projects of variable durations. Or, Tryptic™ can serve as a permanent multi-megawatt solar installation that is activation-ready upon delivery. In cases of hybridization, the Tryptic™ can be shipped with diesel/natural gas gen-sets and activated in parallel, saving operators months in set-up time and labor costs. Tryptic™ can also be repossessed in the case of geopolitical instability or if an operator is in default of payment.

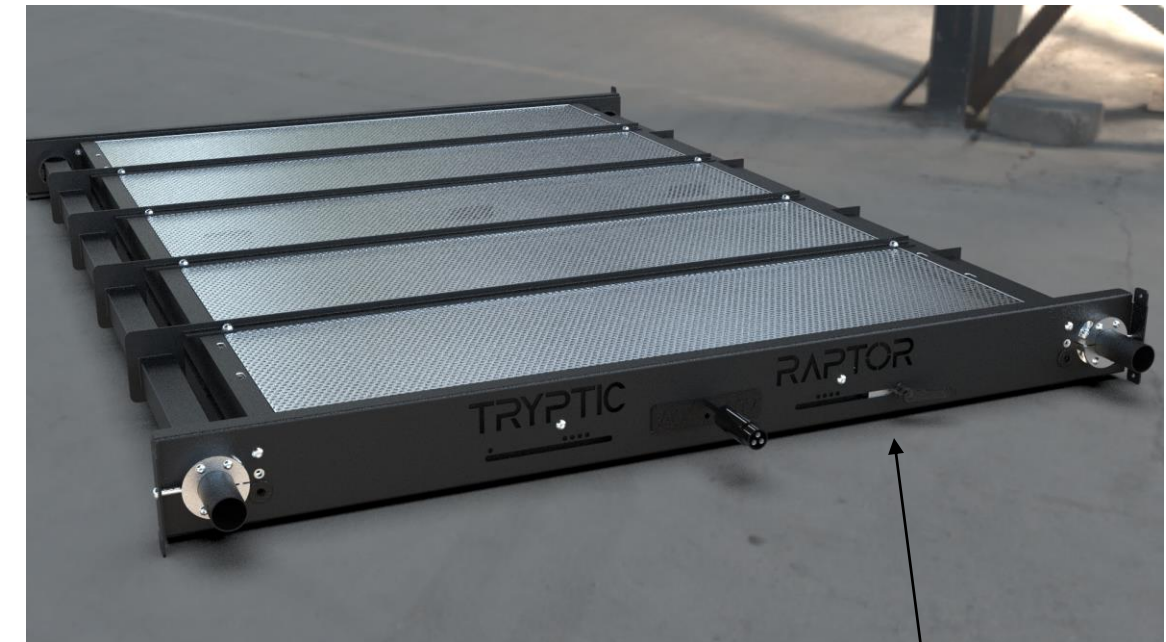
## Innovative Market Maker

The Tryptic™ is uniquely positioned to play a leading role in today's rapidly emerging temporary power market, which is expected to reach \$8.6 billion by 2026, as well as in the global permanent power market at large, offering rapid deployment, mobility, scalability, and redeployment, at the same cost as utility scale fixed solar.

## Disruptive Solar Technology removes the Barriers between Temporary and Permanent Power

The notion of temporary and permanent power has always been somewhat vague, and definitions inconsistent. Historically, some of the major power companies in the rental space have defined their services as temporary. Thus, if it is rented and not built, it is temporary. Others have defined them based on whether the power services are mobile versus fixed or on time durations.

Because traditional solar installations are built as fixed systems to carry them to their required 20-year term, they are, by definition, permanent power systems. These fixed solar installations face numerous obstacles that simply make them unfeasible for temporary power. Obstacles include sites with time or land constraints, situations when the need for energy is immediate or unknown, or situations requiring transportability or redeployment.



Handle for opening and positioning

Embedded MC4 connectors  
(DC Output)

Embedded BC01 Betteri  
connectors  
(AC Output)

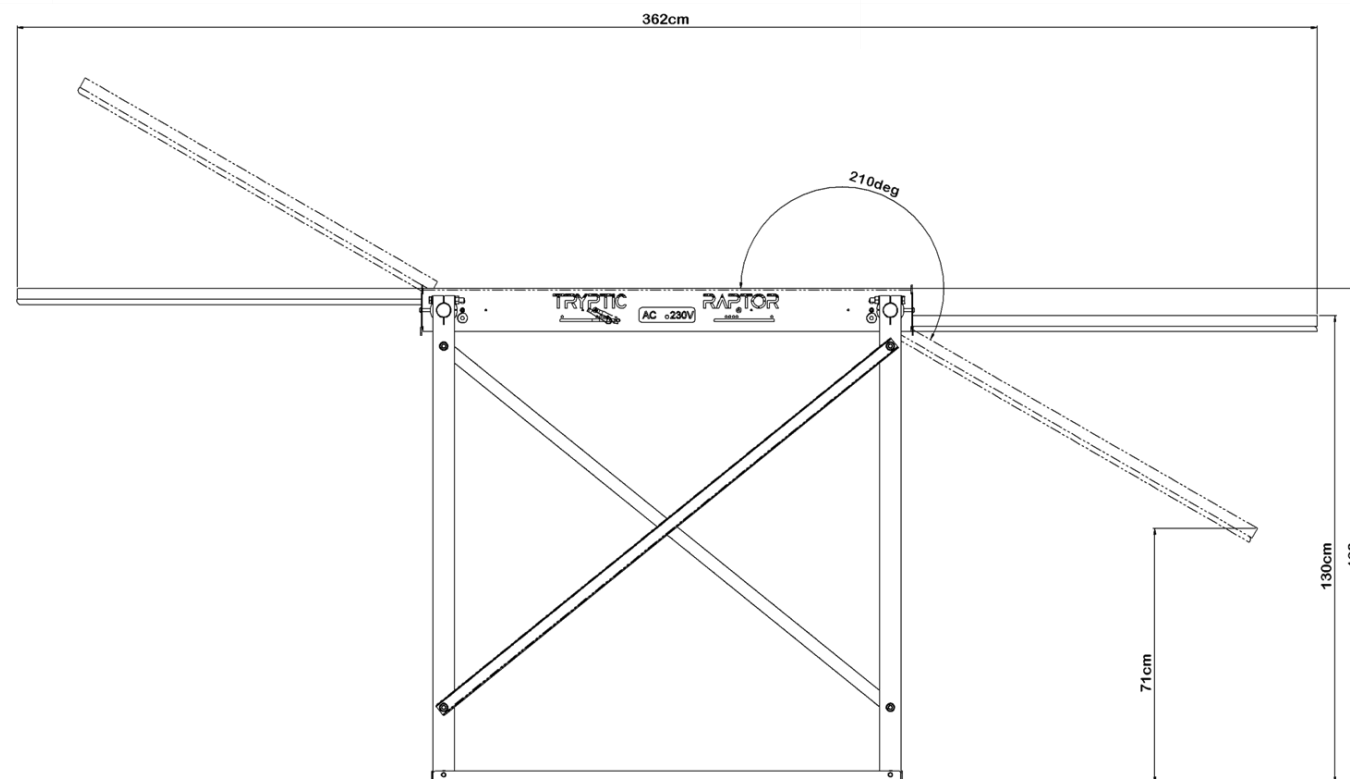
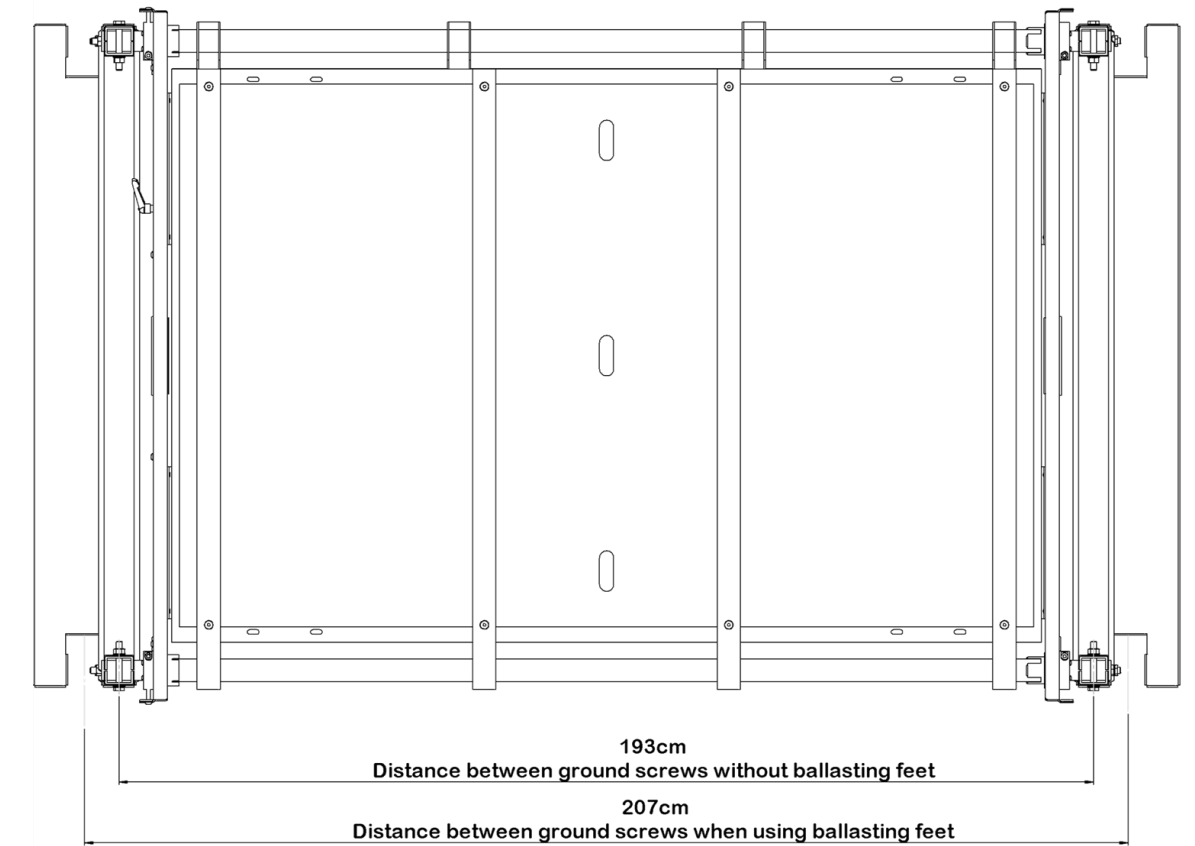
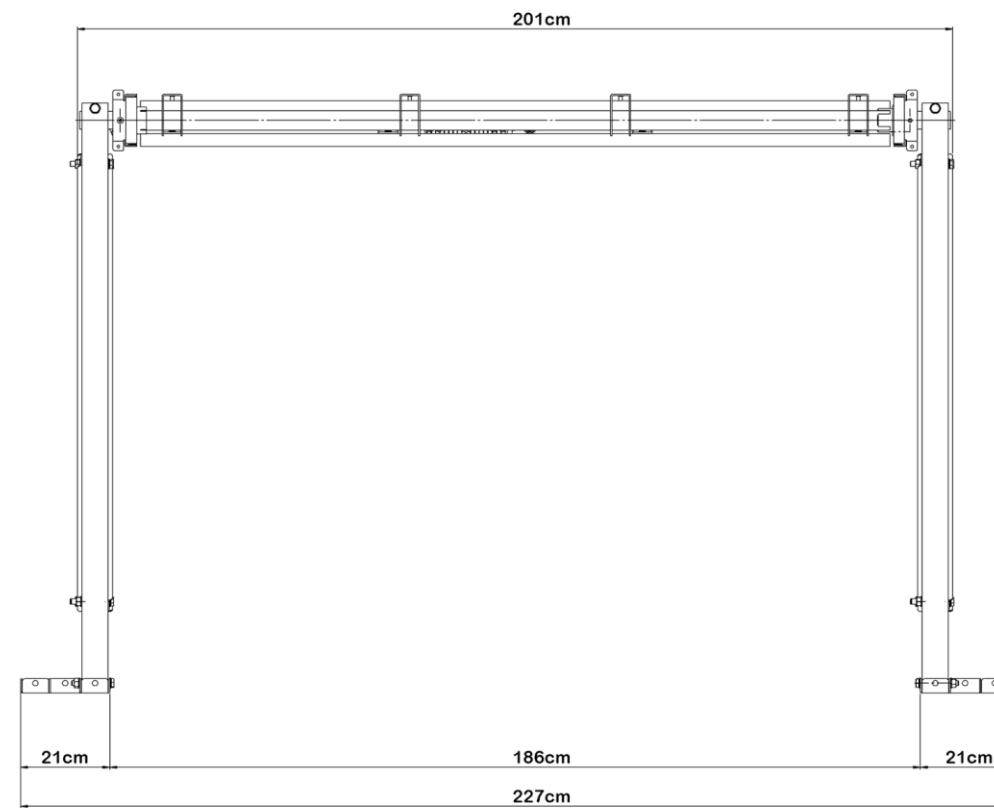
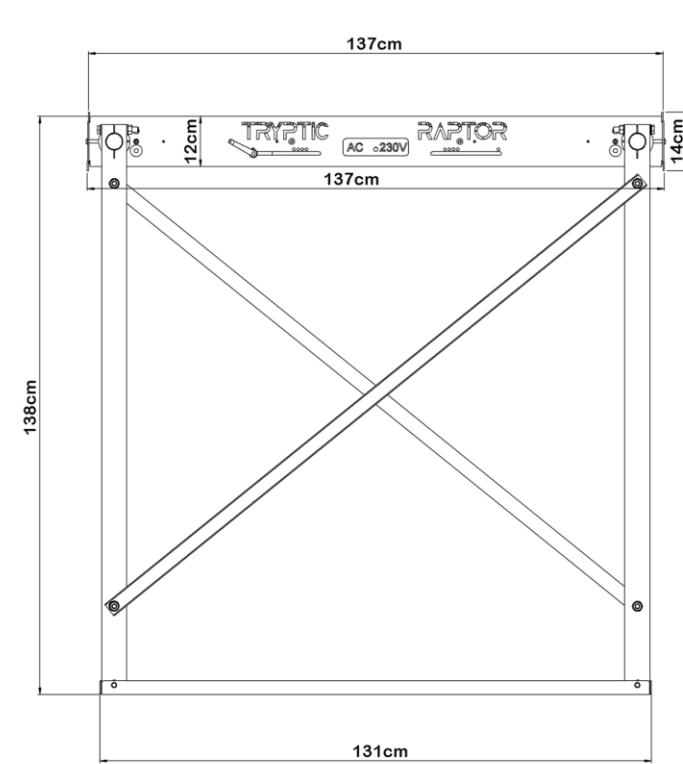
Engineered in Switzerland



# TRYPTIC solar array

Technical specifications

# TRYPTIC™



<b>Tilt angle</b>	0 – 210°
<b>Weight</b>	110 Kg
<b>Total DC Power (kWp)</b>	1.23
<b>Module type</b>	Monocrystalline
<b>Quality warranty (Racking)</b>	5 y

Engineered in Switzerland



# TRYPTIC™

✚ Engineered in Switzerland



For more information contact:

## PWRstation Holding SA

Renfer Park 3, 2504 BIEL/BIENNE – SWITZERLAND

+41 79 171 44 90

## PWRstation Corp

66 West Flagler Street, Miami, FL 33130, USA

+1(888) 573-7190

[sales@pwrstation.com](mailto:sales@pwrstation.com)

[www.pwrstation.com](http://www.pwrstation.com)

[www.pwrstation.us](http://www.pwrstation.us)