



Mars Series

Backsheet Monocrystalline Solar Module

YC430~450M-144M10

PERC+ / Multi-busbar / Half-cut

Non-destructive cutting

PID resistance

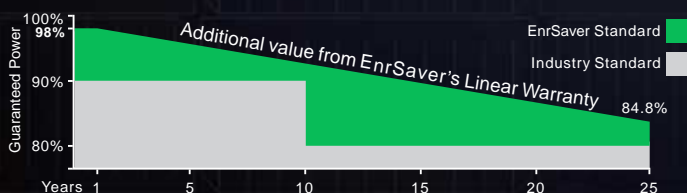
Lower BOS cost & LCOE

Reduced hot Spot Loss

Low-Light Performance



LINEAR PERFORMANCE WARRANTY



12-year Product Warranty

25-year Linear Power Warranty



Electrical Specifications

STC: Irradiance 1000W/m², Cell Temperature 25° C, AM=1.5

Rated output (Pmpp / Wp)	430W	435W	440W	445W	450W
Rated voltage (Vmpp / V)	40.60	40.80	41.00	41.20	41.40
Rated current (Impp / A)	10.60	10.66	10.73	10.80	10.80
Open circuit voltage (Voc / V)	48.9	49.1	49.2	49.4	49.6
Short circuit current (Isc / A)	11.30	11.36	11.45	11.52	11.58
Module efficiency	19.80%	20.00%	20.20%	20.20%	20.70%

NMOT: Irradiance 800W/m², Ambient Temperature 20° C, AM=1.5, Wind Speed 1m/s

Rated output (Pmpp / Wp)	318.51	323.72	327.71	331.74	335.40
Rated voltage (Vmpp / V)	38.20	38.40	38.60	38.80	39.00
Rated current (Impp / A)	8.38	8.44	8.49	8.55	8.60
Open circuit voltage (Voc / V)	46.20	46.40	46.60	46.80	47.00
Short circuit current (Isc / A)	8.98	9.04	9.10	9.16	9.21

Temperature Ratings (STC)

Temperature coefficient (Pmpp)	-0.35%/°C	No. of diodes	3
Temperature coefficient (Isc)	+0.045%/°C	Junction box IP rating	IP 68
Temperature coefficient (Voc)	-0.27%/°C	Max. series fuse rating	20A
Nominal module operating temperature (NMOT)	41±2°C	Max. system voltage (IEC/UL)	1500V _{DC}

Operating Parameters

430W ~ 450W

POWER RANGE

0 ~ +5W

POWER TOLERANCE

20.7%

MAX MODULE EFFICIENCY

≤ 2.0%

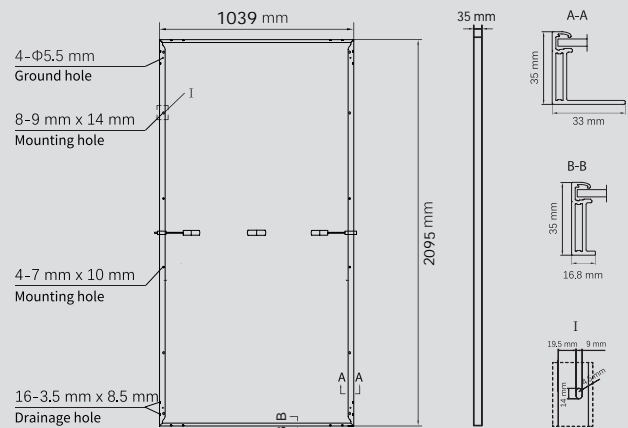
FIRST YEAR POWER DEGRADATION

≤ 0.55%

YEAR 2-25 POWER DEGRADATION

Mechanical Specifications

Outer dimensions (L x W x H)	2095X1039X35 mm
Cell Type	P type Mono-crystalline
No. of cells	144 (6*24)
Frame technology	Aluminum, silver anodized
Front glass thickness	3.2 mm
Cable length (IEC/UL)	Portrait: 300 mm; Landscape: 1400 mm
Cable diameter (IEC/UL)	4 mm ² / 12 AWG
Maximum mechanical test load	5400 Pa (front) / 2400 Pa (back)
Connector type (IEC/UL)	HCB40 / MC4-EVO2 (optional)
Module weight	24.1 kg
Packing unit	31 pcs / box (Subject to sales contract)
Weight of packing unit (for 40' HQ container)	717 kg
Modules per 40' HQ container	936 pcs



Curve

