



STERNLICHT ENERGIE



STERNLICHT ENERGIE

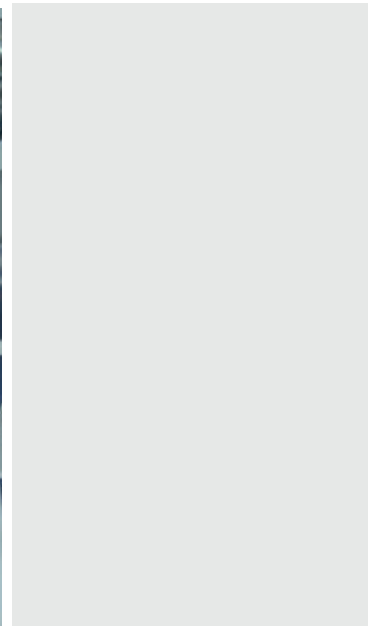
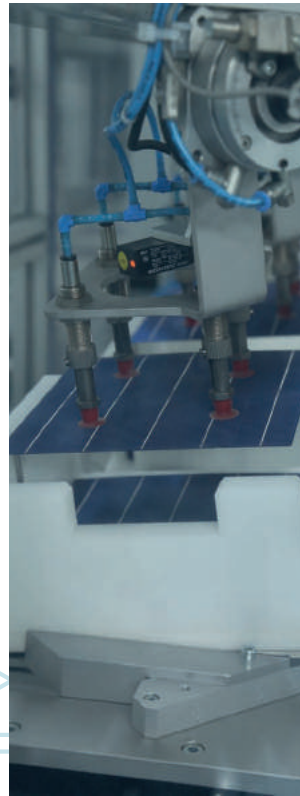
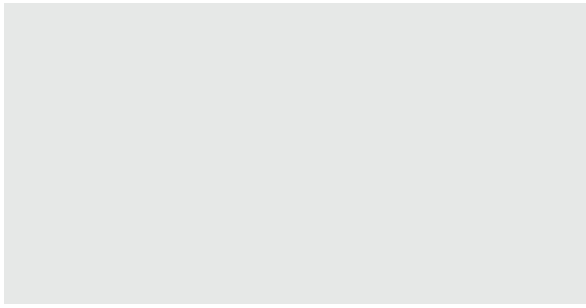
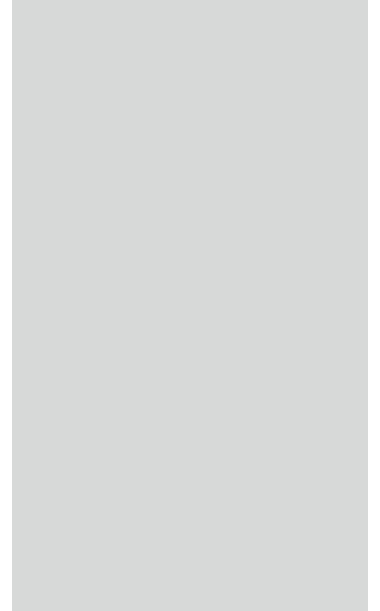
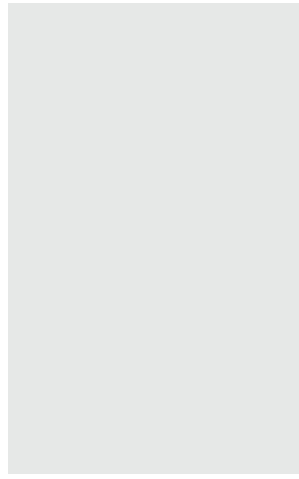
WWW.STERNLICHT.COM.TR

GÜCÜ DOĞADAN





STERNLICHT ENERGIE
WWW.STERNLICHT.COM.TR



ABOUT US

StrenLicht

Energie established its PV Panel Factory, which uses 100% German Technology and makes its products according to Industry v4.0 standards, in Diyarbakir in 2017.

Our facilities are situated within a 20,000 m² site within the Diyarbakir Organized Industrial Zone. Our range of products and services that we offer the world includes:

PV panel manufacturing with a 135 MW/year capacity

Product & system development

Solar power plant design & implementation

GES facility operations

Using Industry v4.0 Technology, we produce highly efficient PV panels that are capable of functioning for years on end under harsh climatic and temperature conditions. Likewise, we provide a 10-year panel and 25-years efficiency guarantee for all of our IEC-certified products.

In addition, we also work with resident technical teams who have both German and Turkish field experience and who can design power plants, install network-dependent/independent systems, provide solutions to network failures, as well as maintain and service your power plants, thus guaranteeing stable and reliable performance.



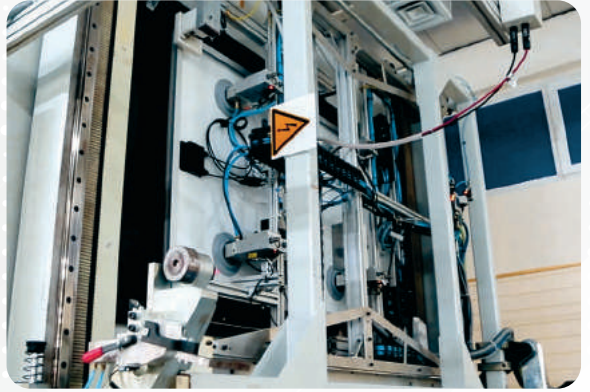
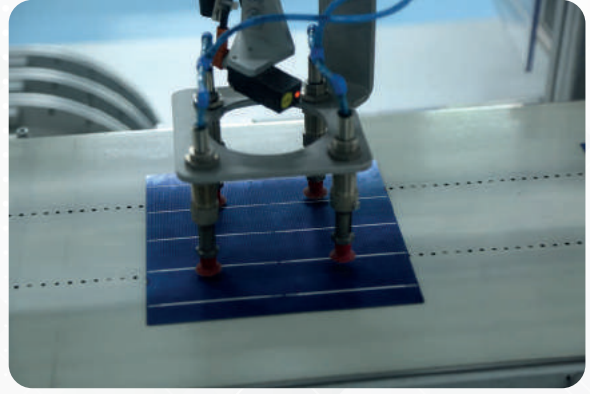
OUR QUALITY POLICY

SternLicht Energie Inc. implements and develops total quality management systems that draw upon the participation of all employees both pre- and post-production. In order to sharpen our competitive edge, we are able to rapidly adapt to modern advances in technology, and go the extra mile to provide everyone with the necessary training and resources accordingly.

We combine data collection and evaluation, processing systems, and our understanding of quality (which forms the basis of our production technology) in order to minimize human error and maintain sustainability all the while guaranteeing the highest level of Industry v4.0 product quality.

Furthermore, we attempt to fully understand our customer expectations, merge that with our quality principles, and strengthen our total quality management on a dynamic basis without compromising the fundamentals of ISO quality management in any way, shape, or form.





OUR MANUFACTURING TECHNOLOGY



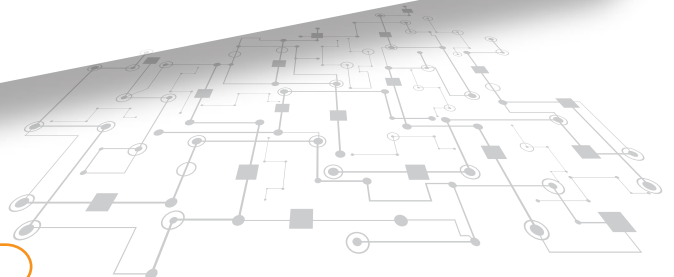
SternLicht Energie Inc. stands out as one of only a hand full of manufacturers both in Diyarbakir and the surrounding region in terms of its manufacturing technology.

We have poured extensive technological investment into our manufacturing facilities, whereby, with human assistance, we look to the support of automation and specially-designed software at every stage of the manufacturing process throughout each of our facilities.

Among the types of PV panels that we manufacture on our assembly lines include:

- 24, 36, 48, 60 and 72-cell,
- Monocrystalline,
- Polycrystalline,
- Percmono,
- Percpoly,
- Full black,
- and Glass2glass

ERP / MRPII automation systems, which are activated as part of a stock system at the head of our assembly line, are integrated via a large network of special software that not only enables us to work with all of our pneumatic, robotic, and automatic systems, but also ensures that the machines remain in constant communication with one another, and that schedules each and every process. As part of ERP systems, all of our operators ensure that human error is minimized as much as possible throughout as well as after production.



OUR SERVICES



STERNLICHT ENERGIE
WWW.STERNLICHT.COM.TR



ROOF SPP

Not only does SternLicht Energie Inc. provide high-tech on- and off-grid Solar Energy Systems (SESs) that provide short-term depreciation that cut or reduce your current energy costs, it also installs them on the roofs of factories, facilities, and residences as well.

In off-grid residential projects, our professional team of experts establish back-up periods and design batteries, as well as set up long term facilities that meet your energy needs 24/7 without the need for generators or mains electricity.

Within the scope of our range of maintenance and operation services, our team of experts provide our power plant customers with remote routine reporting, periodic equipment maintenance, fault solutions, breakdown interventions, and spare parts support.

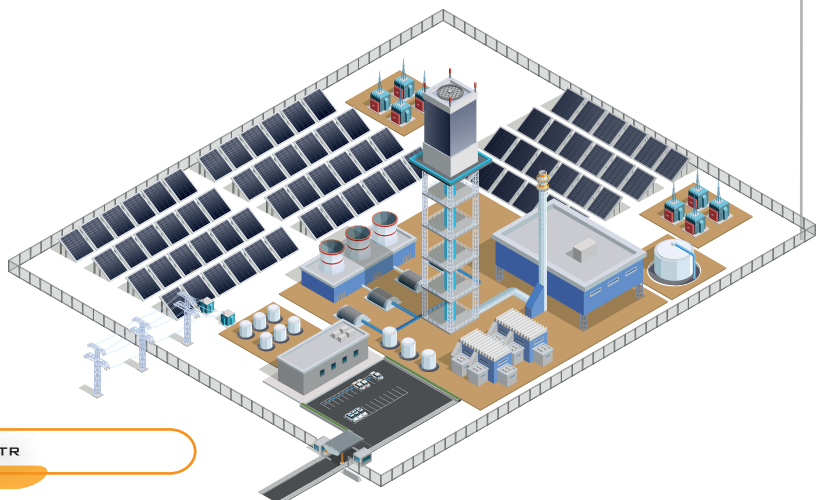
COMMERCIAL SPP

Using German technology, SternLicht Energie Inc.'s team of experts offer its commercial SES investors flexible project and site-specific design, production, installation and operation services.

Within the scope of our range of maintenance and operation services, we also power plants with remote routine reporting, periodic equipment maintenance, fault solutions, breakdown interventions, and spare parts support.

AGRICULTURAL SPP

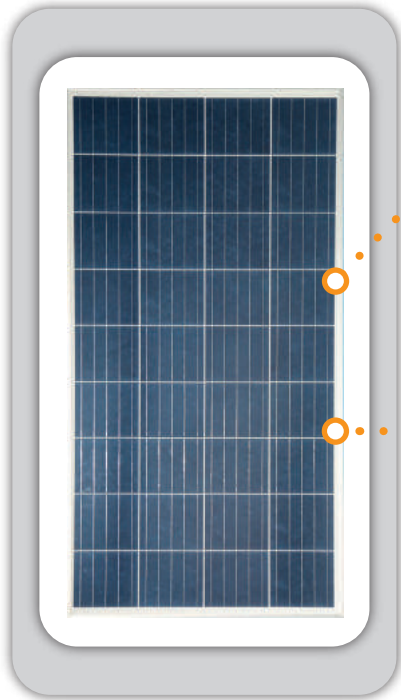
SternLicht Energie Inc. supports farmers by developing solutions for irrigation and other needs in the agricultural sector as well as offering a broad range of superior battery-operated, batteryless, AC, and DC-based solutions.





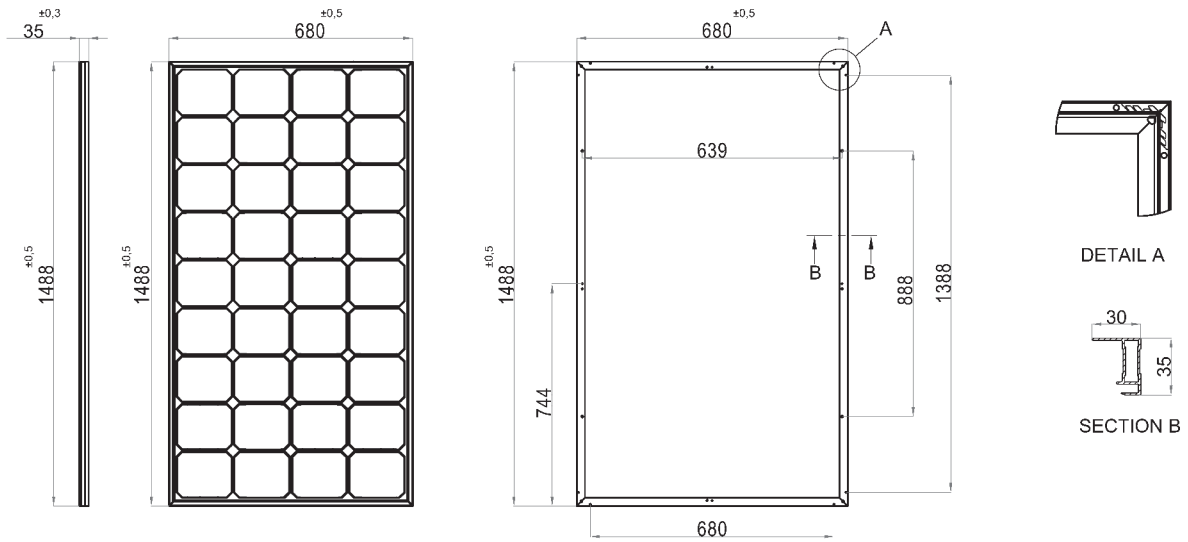
OUR PRODUCTS

POLYCRYSTALLINE 36



10-20 Wp Power Range

N/A Module Efficiency

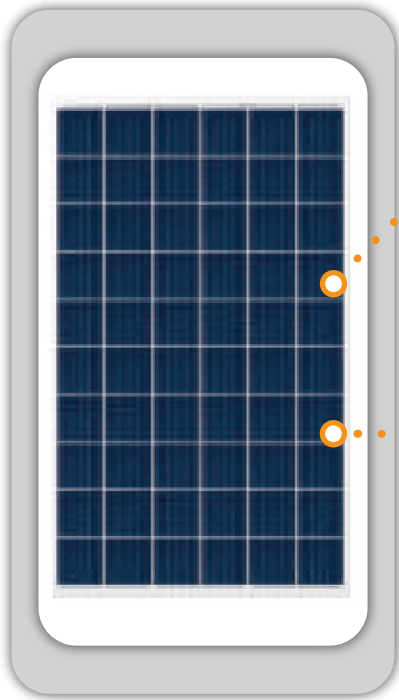


Model	Number of Cells	Max Power (Pmax)	Module Efficiency	Voltage Open Circuit (Voc)	Short Circuit Current (Isc)	Max Power Voltage (Vmp)	Max Power Current (Imp)	Module Size (mm)	Power Tolerance
SLE10-36P	36 (4*9)	10 Wp	N/A	22,90	0,53	19,40	0,52	254x364x16	N/A
SLE20-36P	36 (4*9)	20 Wp	N/A	22,90	1,11	19,40	1,04	359x419x16	N/A

POLYCRYSTALLINE 60

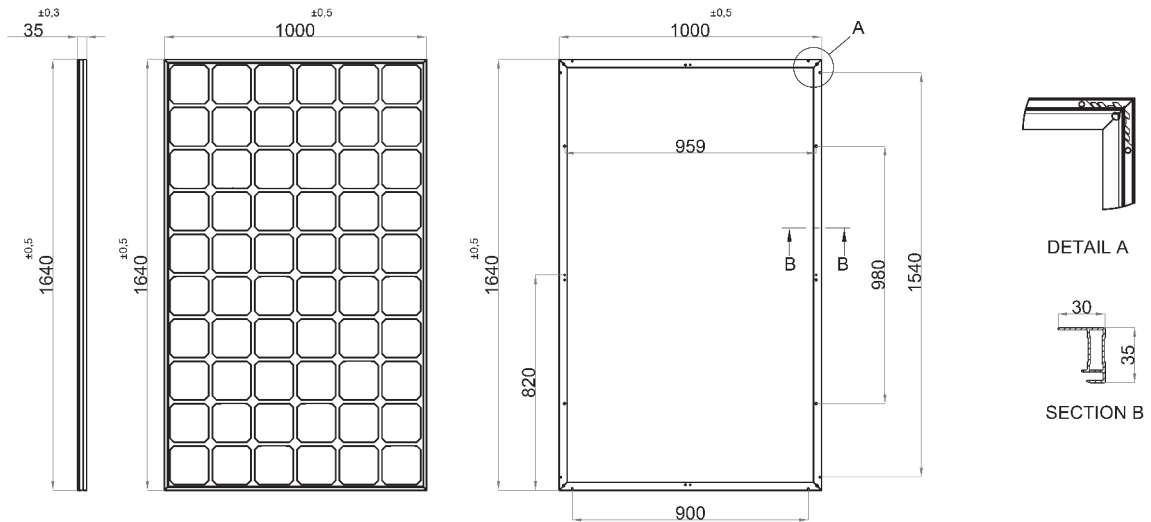


STERNLICHT ENERGIE



260-285 Wp Power Range

15,86-17,38 Module Efficiency

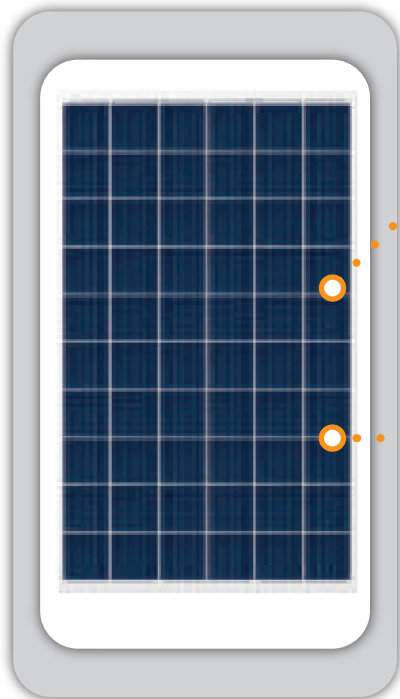


Model	Number of Cells	Max Power (Pmax)	Module Efficiency	Voltage Open Circuit (Voc)	Short Circuit Current(Isc)	Max Power Voltage (Vmp)	Max Power Current(Imp)	Module Size (mm)	Power Tolerance
SLE260-60P	60(6* 10)	260 Wp	15,86	37,30	9,04	30,40	8,56	1648x995x35	0- + 5W
SLE265-60P	60(6* 10)	265 Wp	16,18	37,70	9,13	30,70	8,64	1648x995x35	0- + 5W
SLE270-60P	60(6* 10)	270 Wp	16,45	38,00	9,21	31,00	8,71	1648x995x35	0- + 5W
SLE275-60P	60(6* 10)	275 Wp	16,77	38,40	9,31	31,30	8,79	1648x995x35	0- + 5W
SLE280-60P	60(6* 10)	280 Wp	17,08	38,70	9,39	31,60	8,87	1648x995x35	0- + 5W
SLE285-60P	60(6* 10)	285 Wp	17,38	39,10	9,47	31,90	8,95	1648x995x35	0- + 5W

PERC POLYCRYSTALLINE 60

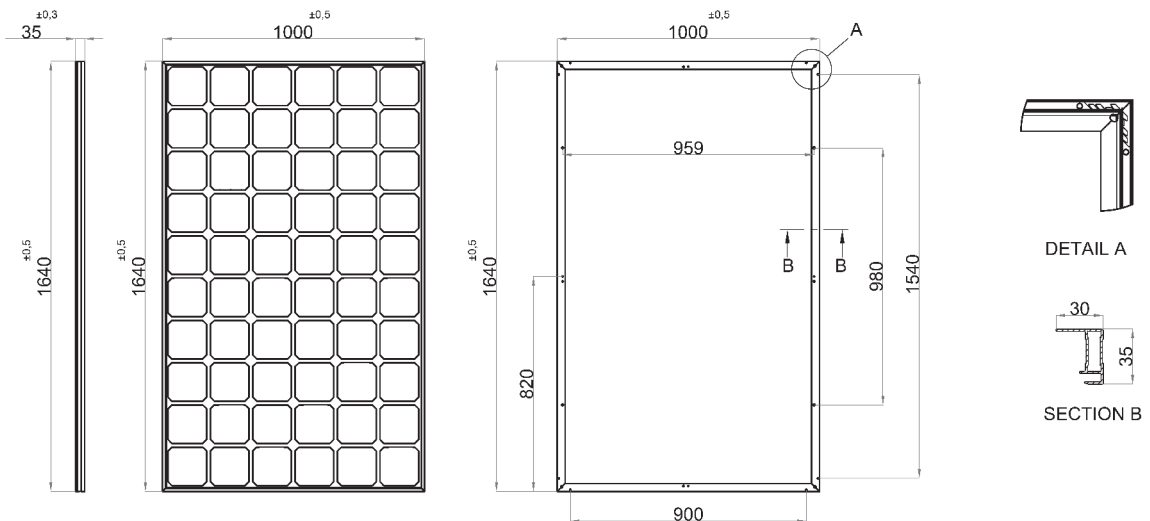


STERNLICHT ENERGIE



270-290 Wp Power Range

16,55-17,63 Module Efficiency

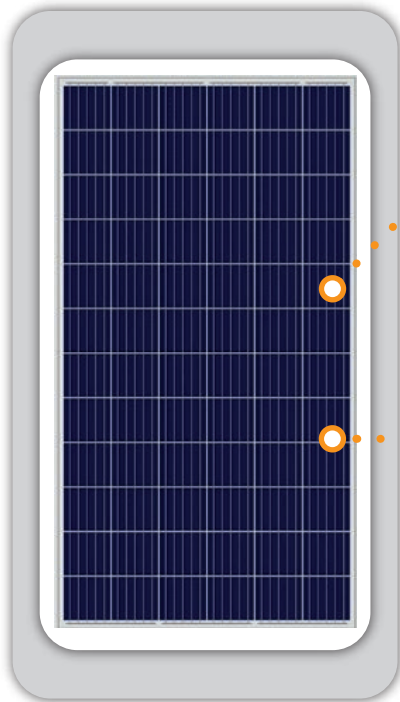


Model	Number of cells	Max Power (Pmax)	Module Efficiency	Voltage Open Circuit (Voc)	Short Circuit Current (Isc)	Max Power Voltage (Vmp)	Max Power Current (Imp)	Module Size (mm)	Power Tolerance
SLE270-60PP	60(6 * 10)	270 Wp	16,55	38,10	8,94	32,22	8,40	1648x995x35	0- + 5W
SLE275-60PP	60(6 * 10)	275 Wp	16,89	38,52	9,03	32,58	8,45	1648x995x35	0- + 5W
SLE280-60PP	60(6 * 10)	280 Wp	17,09	38,70	9,09	32,76	8,55	1648x995x35	0- + 5W
SLE285-60PP	60(6 * 10)	285 Wp	17,43	39,24	9,15	33,24	8,60	1648x995x35	0- + 5W
SLE290-60PP	60(6 * 10)	290 Wp	17,63	39,48	9,19	33,58	8,65	1648x995x35	0- + 5W

POLICRYSTALLINE 72

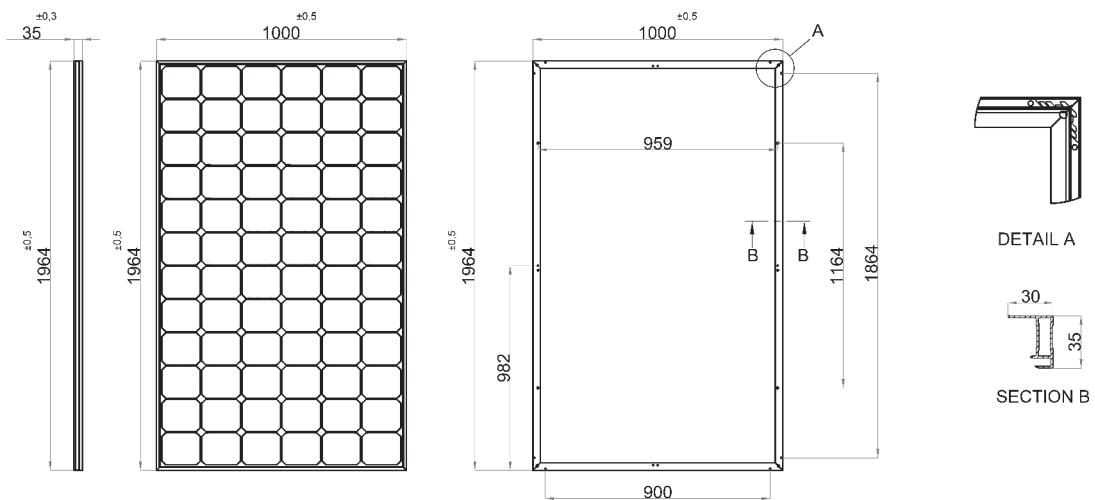


STERNLICHT ENERGIE



300-335 Wp Power Range

15,38-17,19 Module Efficiency

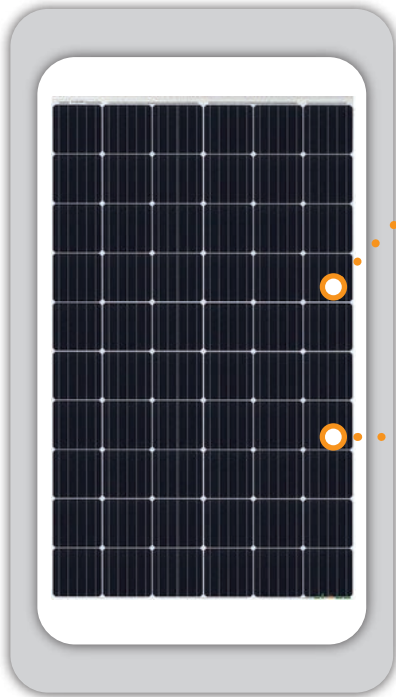


Model	Number of Cells	Max Power (Pmax)	Module Efficiency	Voltage Open Circuit (Voc)	Short Circuit Current (Isc)	Max Power Voltage (Vmp)	Max Power Current (Imp)	Module Size (mm)	Power Tolerance
SLE300-72P	72(6x12)	300 Wp	15,38	44,20	8,80	36,30	8,27	1959x995x40	0- +5W
SLE305-72P	72(6x12)	305 Wp	15,65	44,60	8,88	36,60	8,34	1959x995x40	0- +5W
SLE310-72P	72(6x12)	310 Wp	15,90	45,00	8,95	36,90	8,41	1959x995x40	0- +5W
SLE315-72P	72(6x12)	315 Wp	16,16	45,30	9,02	37,20	8,47	1959x995x40	0- +5W
SLE320-72P	72(6x12)	320 Wp	16,42	45,70	9,09	37,50	8,54	1959x995x40	0- +5W
SLE325-72P	72(6x12)	325 Wp	16,67	46,00	9,17	37,80	8,60	1959x995x40	0- +5W
SLE330-72P	72(6x12)	330 Wp	16,93	46,40	9,24	38,10	8,67	1959x995x40	0- +5W
SLE335-72P	72(6x12)	335 Wp	17,19	46,70	9,31	38,40	8,74	1959x995x40	0- +5W

PERC MONOCRYSTALLINE 60

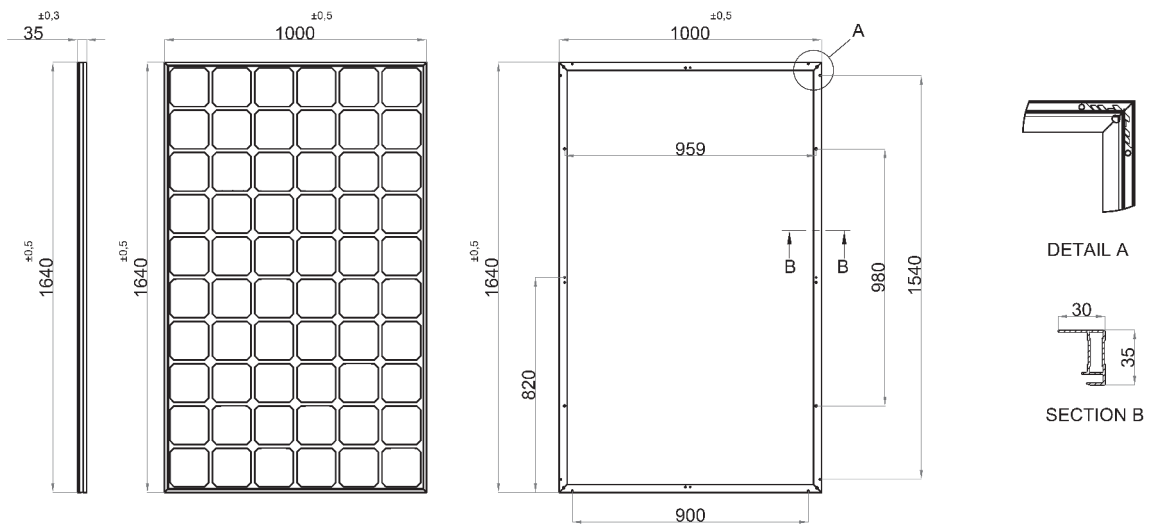


STERNLICHT ENERGIE



295-315 Wp Power Range

18,07-19,22 Module Efficiency

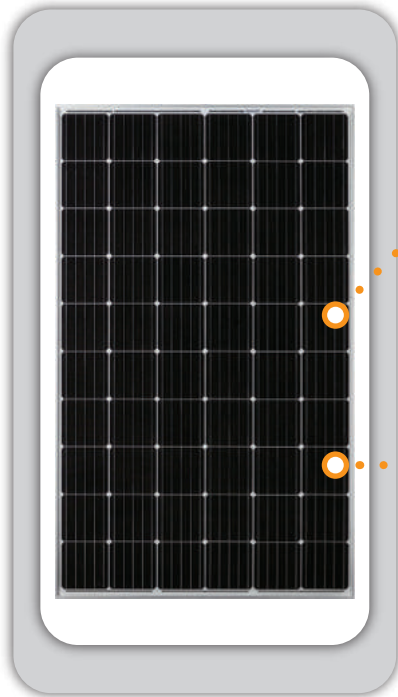


Model	Number of Cells	Max Power (Pmax)	Module Efficiency	Voltage Open Circuit (Voc)	Short Circuit Current(Isc)	Max Power Voltage (Vmp)	Max Power Current(Imp)	Module Size (mm)	Power Tolerance
SLE-295-60PM	60(6 * 10)	295 Wp	18,07	38,88	9,57	32,82	9,00	1648x995x35	0- +5W
SLE-300-60PM	60(6 * 10)	300 Wp	18,34	39,18	9,65	33,18	9,06	1648x995x35	0- +5W
SLE305-60PM	60(6 * 10)	305 Wp	18,70	39,66	9,70	33,60	9,09	1648x995x35	0- +5W
SLE310-60PM	60(6 * 10)	310 Wp	18,96	39,84	9,73	33,96	9,14	1648x995x35	0- +5W
SLE315-60PM	60(6 * 10)	315 Wp	19,22	39,66	9,76	34,02	9,26	1648x995x35	0- +5W

MONOCRYSTALLINE 60

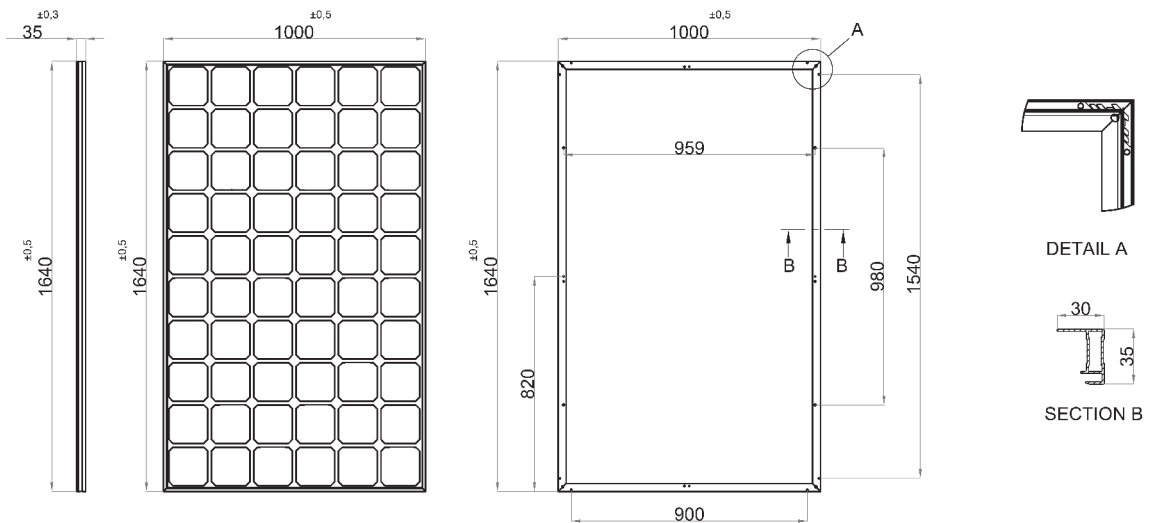


STERNLICHT ENERGIE



260-295 Wp Power Range

15,86-17,99 Module Efficiency

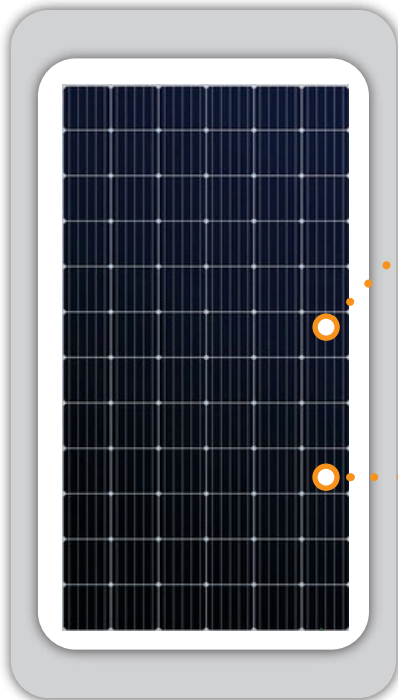


Model	Number of cells	Max Power (Pmax)	Module Efficiency	Voltage Open Circuit (Voc)	Short Circuit Current (Isc)	Max Power Voltage (Vmp)	Max Power Current (Imp)	Module Size (mm)	Power Tolerance
SLE260-60M	60(6*10)	260 Wp	15,86	38,00	8,89	31,10	8,37	1648x995x35	0-+ 5W
SLE265-60M	60(6*10)	265 Wp	16,16	38,30	9,02	31,30	8,48	1648x995x35	0-+ 5W
SLE270-60M	60(6*10)	270 Wp	16,47	37,80	9,07	31,70	8,52	1648x995x35	0-+ 5W
SLE275-60M	60(6*10)	275 Wp	16,77	38,00	9,21	31,90	8,63	1648x995x35	0-+ 5W
SLE280-60M	60(6*10)	280 Wp	17,08	38,20	9,35	32,10	8,73	1648x995x35	0-+ 5W
SLE285-60M	60(6*10)	285 Wp	17,38	38,70	9,48	32,20	8,86	1648x995x35	0-+ 5W
SLE290-60M	60(6*10)	290 Wp	17,69	39,20	9,58	32,40	8,96	1648x995x35	0-+ 5W
SLE295-60M	60(6*10)	295 Wp	17,99	39,70	9,68	32,60	9,05	1648x995x35	0-+ 5W

MONOCRYSTALLINE 72

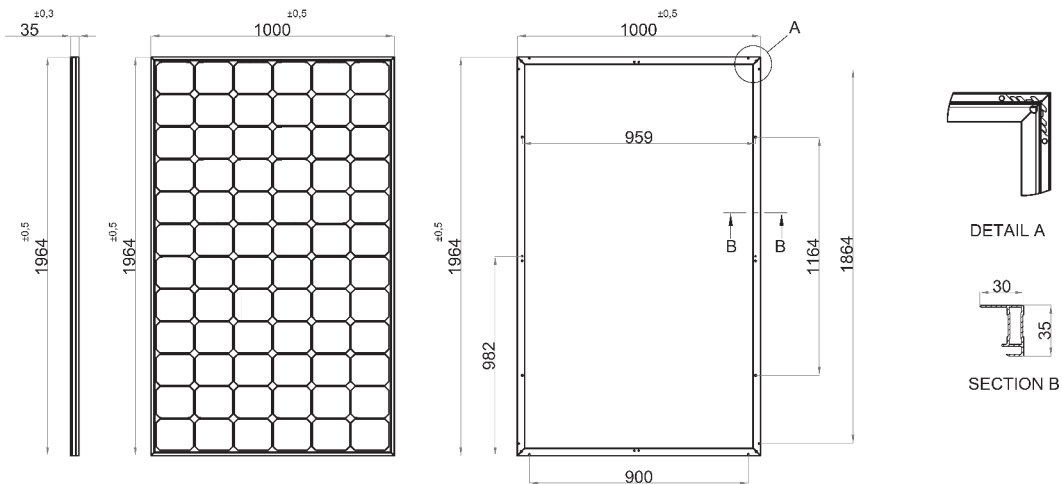


STERNLICHT ENERGIE



10-165 Wp Power Range

N/A Module Efficiency

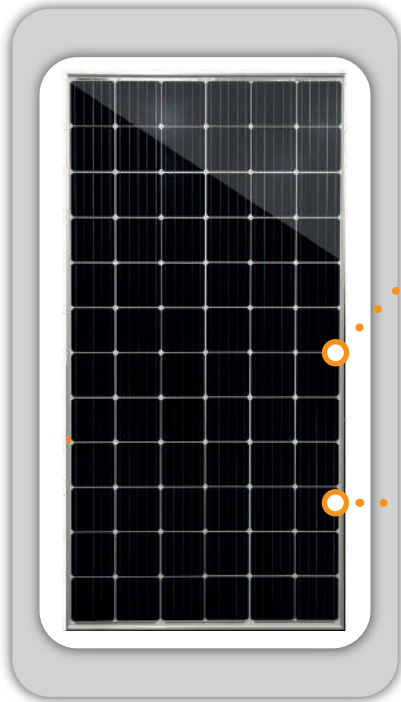


Model	Number of cells	Max Power Pmax	Module Efficiency	Voltage Open Circuit (Voc)	Short Circuit Current(Isc)	Max Power Voltage (Vmp)	Max Power Current(Imp)	Module Size (mm)	Power Tolerance
SLE300-72M	72(6x12)	300 Wp	15,39	44,60	8,74	36,50	8,22	1959x995x40	0- + 5W
SLE305-72M	72(6x12)	305 Wp	15,65	45,10	8,79	36,90	8,27	1959x995x40	0- + 5W
SLE310-72M	72(6x12)	310 Wp	15,90	45,40	8,89	37,10	8,36	1959x995x40	0- + 5W
SLE315-72M	72(6x12)	315 Wp	16,16	45,90	8,95	37,50	8,41	1959x995x40	0- + 5W
SLE320-72M	72(6x12)	320 Wp	16,42	44,90	9,04	37,70	8,49	1959x995x40	0- + 5W
SLE325-72M	72(6x12)	325 Wp	16,67	45,10	9,14	37,90	8,58	1959x995x40	0- + 5W
SLE330-72M	72(6x12)	330 Wp	16,93	45,50	9,24	38,10	8,67	1959x995x40	0- + 5W
SLE335-72M	72(6x12)	335 Wp	17,19	45,90	9,31	38,30	8,75	1959x995x40	0- + 5W
SLE340-72M	72(6x12)	340 Wp	17,44	46,30	9,35	38,40	8,86	1959x995x40	0- + 5W
SLE345-72M	72(6x12)	345 Wp	17,70	46,90	9,45	38,50	8,97	1959x995x40	0- + 5W
SLE350-72M	72(6x12)	350 Wp	17,96	47,50	9,53	38,70	9,05	1959x995x40	0- + 5W

PERC MONOCRYSTALLINE 72

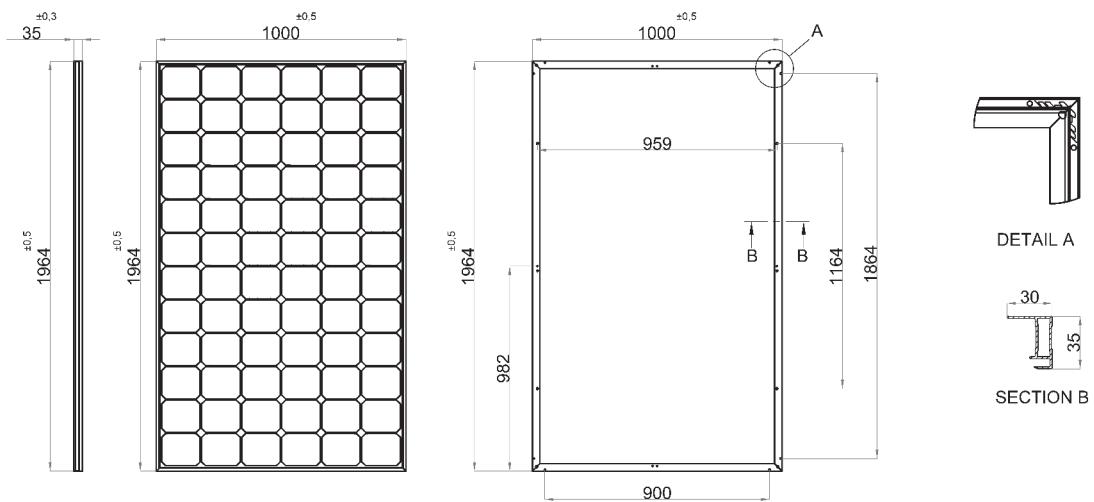


STERNLICHT ENERGIE



10-165 Wp Power Range

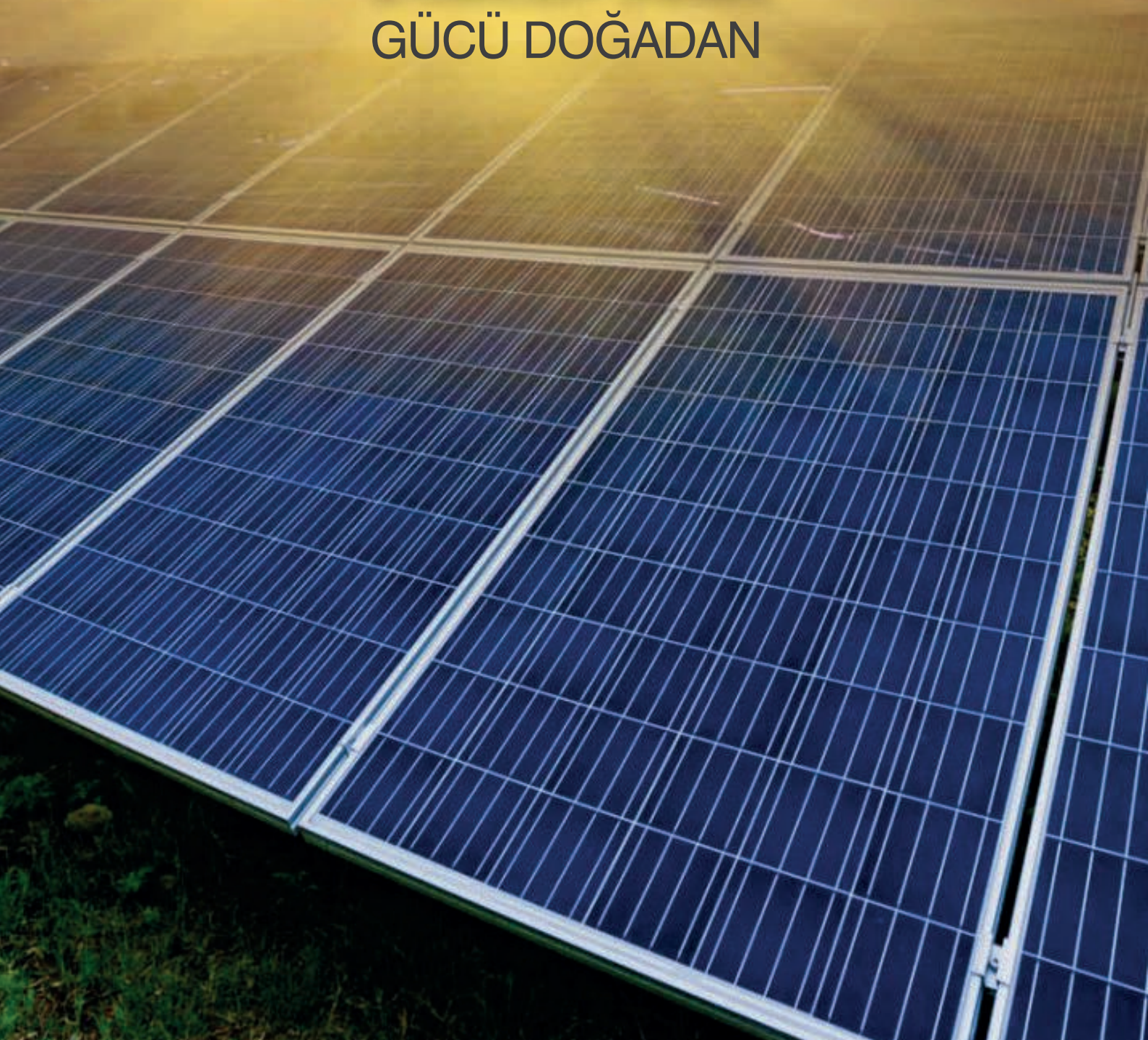
N/A Module Efficiency



Model	Number of Cells	Max Power Pmax	Module Efficiency	Voltage Open Circuit (Voc)	Short Circuit Current(Isc)	Max Power Voltage (Vmp)	Max Power Current(Imp)	Module Size (mm)	Power Tolerance
SLE355-72PM	72(6x12)	355 Wp	18,26	46,44	9,59	39,38	9,02	1959x995x40	0- +5W
SLE360-72PM	72(6x12)	360 Wp	18,51	47,02	9,65	39,82	9,05	1959x995x40	0- +5W
SLE365-72PM	72(6x12)	365 Wp	18,76	47,45	9,68	40,18	9,09	1959x995x40	0- +5W
SLE370-72PM	72(6x12)	370 Wp	19,07	47,74	9,72	40,61	9,12	1959x995x40	0- +5W
SLE375-72PM	72(6x12)	375 Wp	19,32	47,95	9,76	40,97	9,16	1959x995x40	0- +5W

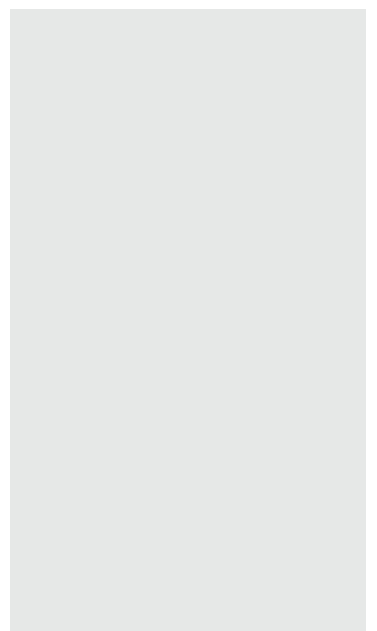
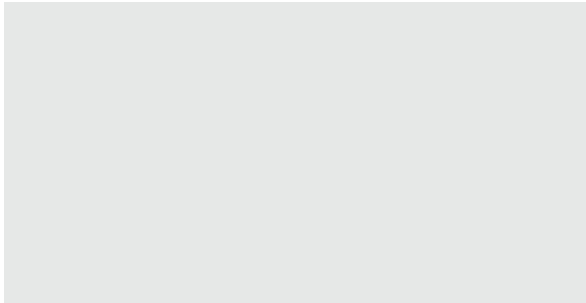
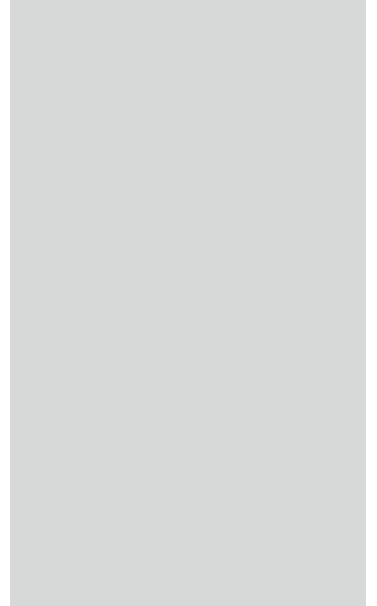
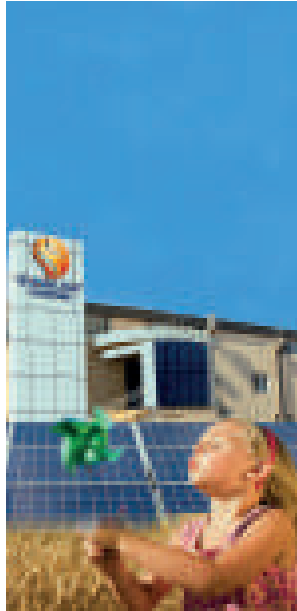
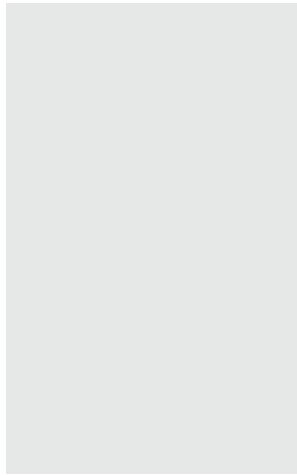


STERNLICHT ENERGIE
GÜCÜ DOĞADAN





STERNLICHT ENERGIE
WWW.STERNLICHT.COM.TR





STERNLICHT ENERGIE

WWW.STERNLICHT.COM.TR

GÜCÜ DOĞADAN



www.sternlicht.com.tr

 OSB 2. Etap NO:1 DİYARBAKIR / Türkiye

 +090 412 503 08 80 +090 412 503 08 81

 www.sternlicht.com.tr

 info@sternlicht.com.tr

 [sternenergie](https://www.youtube.com/sternenergie)