

# iHESS 1P

## Hybrid On & Off Grid Energy Storage Inverter

series 3.6/4.6/5/6kW



5 years warranty

IP65



**Easy access**  
Accessible through a LCD touch screen and through the web



**Quick backup**  
Provides backup load with a transfer time less than 10ms.



**Remote Monitoring**  
Control and monitor your smart system on the move via our monitoring App and website



**Multiple working modes**  
iHESS series supports four working modes  
1.Self Use 2.Time of Use 3.Backup Power 4.Grid Priority



**Safe**  
Physical and electrical dual isolation AFCI function integration AC overcurrent, AC overvoltage, Over temperature protection



**Flexible Rate Tariff**  
Charge from the grid at off-peak time when energy is cheaper, and discharge at peak time when energy is more expensive.

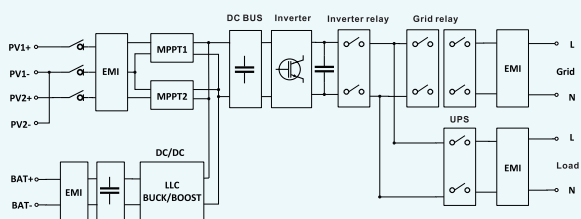
### Product characteristics

- A1: EPO/AFCI port
- A2: BMS port
- A3: Meter/CT port
- A4: Dry contact
- A5: DRM port
- A6: Parallel port
- A7: Parallel port
- A8: USB port

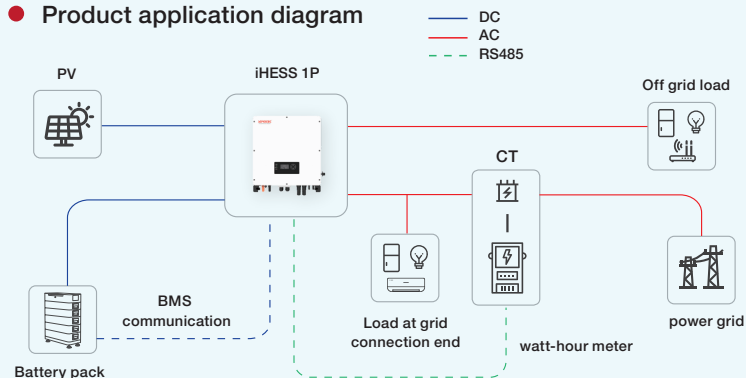


- B: WIFI port
- C: GRID port
- D: LOAD port
- E: PV port
- F: Breather valve
- G: Battery port
- H: PV Switch(optional)

### Circuit block diagram



### Product application diagram



Technical Specification	iHESS 1P series			
Rated power (kw)	3.6	4.6	5	6
<b>EFFICIENCY</b>				
DC Max. efficiency	97.50%			
Europe efficiency	97%			
<b>PV INPUT</b>				
Max. power(kW)	5.4	6.9	7.5	9
Max. DC voltage(V)	500			
MPPT voltage range(V)	120~500			
Max. input current of single MPPT(A)	15/15			
MPPT tracker/strings	2/1			
<b>AC OUTPUT(GRID-TIED)</b>				
Grid voltage/range(V)	230/176~270			
Frequency(Hz)	50/60			
PF	0.8lagging~0.8leading			
THDi	<3%			
AC output topology	L+N+PE			
<b>BATTERY</b>				
Battery voltage range(V)	40~58			
Max. charging voltage(V)	58			
Max. charge/discharge current(A)	100/110			
Battery type	Lithium /Lead-acid			
<b>UPS OUTPUT</b>				
Rated output voltage(V)	220/230/240			
Rated output current(A)	16.3/16/15	20.9/20/19.1	22.7/21.7/20.8	27.2/26/25
Rated frequency (Hz)	50/60			
Transfer Time(ms)	<10			
THDu	<2%			
Overload capacity	5s≥110%10ad;10s≥101%~110%10ad			
<b>PROTECTION &amp; FEATURE</b>				
Anti-Island protection	Yes			
Insulation monitoring	Yes			
Residual current monitoring	Yes			
Arc fault protection	Yes(Optional)			
Parallel function	Yes,6 units			
Other protection	AC overcurrent,AC overvoltage,Over temperature protection			
<b>GENERAL PARAMETER</b>				
Degree of protection	IP65			
Operation temperature	-25°C~60°C			
Cooling	Natural			
Relative humidity	0~95%(non-condensing)			
Altitude	(>2,000m Derating)			
Dimensions W x D x H(mm)	480*210*495			
Net Weight(KG)	25		25	
Isolation transformer	No			
Self-consumption(W)	<5			
<b>DISPLAY AND COMMUNICATION</b>				
Display	LCD			
Interface	Standard:RS485,CAN,DRM; Optional:WiFi,Bluetooth			
Safety standard	CE-EMC/ENIEC61000-6-3:2021,EN1EC61000-6-1:2019;CEV0C/1EC62109-1:2010,IEC62109-2:2011,IEC62477-1:2022 COCVDE4105:2018,VDE0124:2020;COC/CE10-21:2022;COC/TORTypeA/B:2022,OVER25:2020;G98:2022,G99:2022			