



Moon Series

Backsheet Monocrystalline Solar Module

YC400~415M-108M10

PERC+ / Multi-busbar / Half-cut

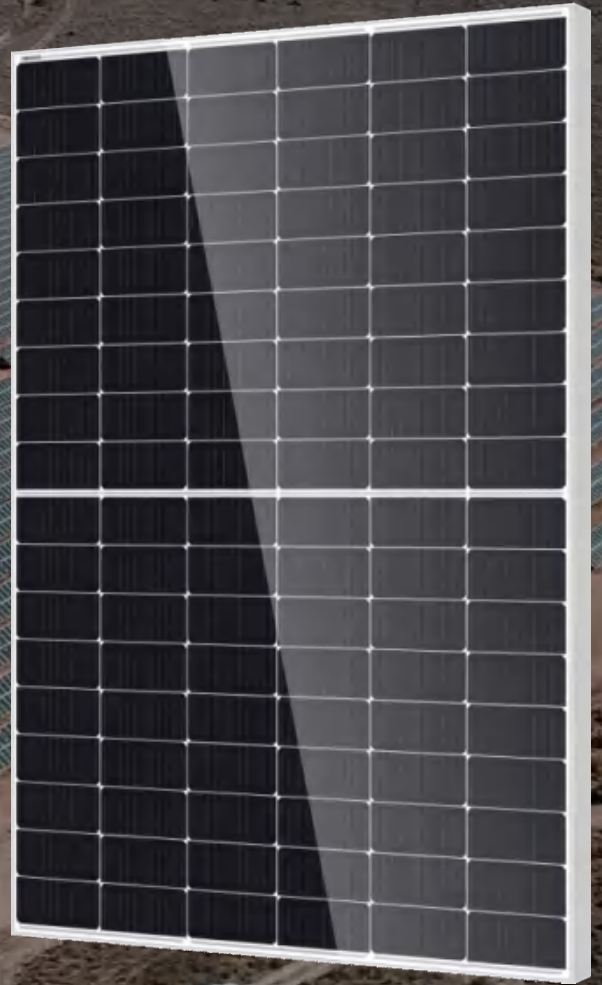
Non-destructive cutting

PID resistance

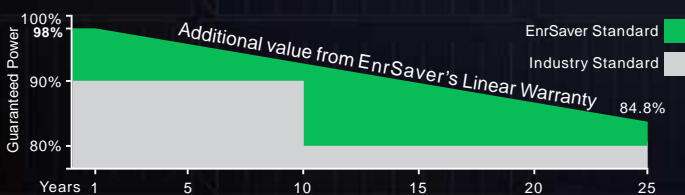
Lower BOS cost & LCOE

Reduced hot Spot Loss

Low-Light Performance



LINEAR PERFORMANCE WARRANTY



12-year Product Warranty

25-year Linear Power Warranty



Electrical Specifications

STC: Irradiance 1000W/m², Cell Temperature 25° C, AM=1.5

Rated output (Pmpp / Wp)	400	405	410	415
Rated voltage (Vmpp / V)	30.73	30.91	31.09	31.27
Rated current (Impp / A)	13.03	13.11	13.20	13.29
Open circuit voltage (Voc / V)	37.09	37.21	37.33	37.45
Short circuit current (Isc / A)	13.90	13.98	14.06	14.13
Module efficiency	20.65%	20.91%	21.17%	21.43%

NMOT: Irradiance 800W/m², Ambient Temperature 20° C, AM=1.5, Wind Speed 1m/s

Rated output (Pmpp / Wp)	303	307	311	315
Rated voltage (Vmpp / V)	29.38	29.55	29.72	29.90
Rated current (Impp / A)	10.32	10.40	10.47	10.52
Open circuit voltage (Voc / V)	35.23	35.34	35.46	35.57
Short circuit current (Isc / A)	11.15	11.21	11.28	11.33

Temperature Ratings (STC)

Temperature coefficient (Pmpp)	-0.35%/°C	No. of diodes	3
Temperature coefficient (Isc)	+0.045%/°C	Junction box IP rating	IP 68
Temperature coefficient (Voc)	-0.27%/°C	Max. series fuse rating	25A
Nominal module operating temperature (NMOT)	41±2°C	Max. system voltage (IEC/UL)	1500V _{DC}

Operating Parameters

400~415W 0~+5W

POWER RANGE

POWER TOLERANCE

21.1%

MAX MODULE EFFICIENCY

≤ 2.0%

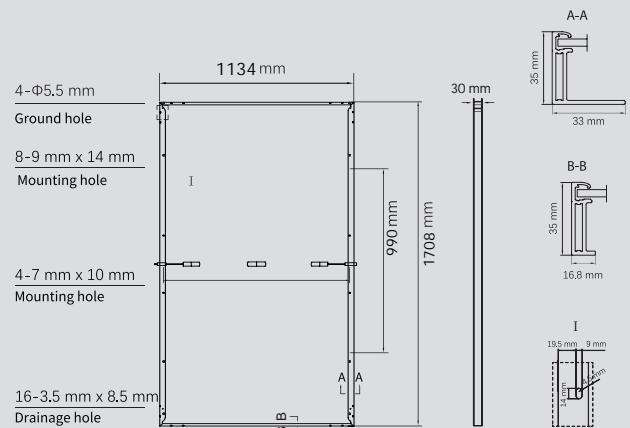
FIRST YEAR POWER DEGRADATION

≤ 0.55%

YEAR 2-25 POWER DEGRADATION

Mechanical Specifications

Outer dimensions (L x W x H)	1708X1134X30 mm
Cell Type	P type Mono-crystalline
No. of cells	108(6*18)
Frame technology	Aluminum, silver anodized
Front glass thickness	3.2 mm
Cable length (IEC/UL)	Portrait: 300 mm; Landscape: 1400 mm
Cable diameter (IEC/UL)	4 mm ² / 12 AWG
Maximum mechanical test load	5400 Pa (front) / 2400 Pa (back)
Connector type (IEC/UL)	HCB40 / MC4-EVO2 (optional)
Module weight	21.6 kg
Packing unit	36 pcs / box (Subject to sales contract)
Weight of packing unit (for 40' HQ container)	821 kg
Modules per 40' HQ container	936 pcs



Curve

