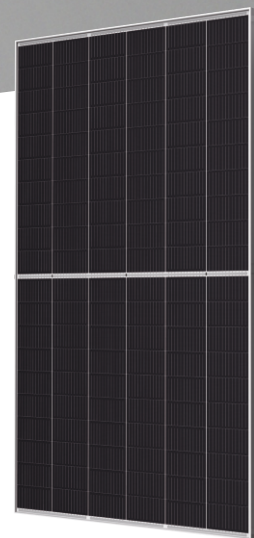


SERIES 6

590-610W Mono

G12/210mm Cell . 120 Half-Cell Layout

Series 6 solar modules stand out with the breakthrough innovation of G12 size (210mm) solar cells for the highest power generation and the lowest LCOE, which makes Series 6 the optimal choice for large solar power plants. The gallium-doped wafer technology empowers significantly the performance against LID and the latest integrated segmented ribbon technology increases the power output and enhances the module reliability for long-term use.



Ideal Choice For Large Scale Ground Installation



High Density Interconnect Technology



Gallium-doped Technology



Anti-PID Low LID Performance

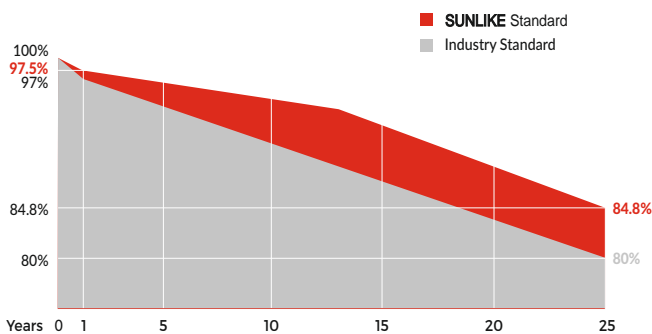


Less Hot Spot Shading Effects



Lower BOS & LCOE

Linear performance Warranty



Comprehensive Certificates

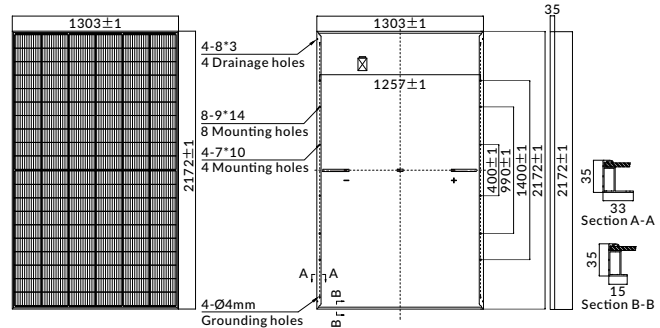
- ISO9001:2015 QMS
- ISO14001:2015 EMS
- ISO45001:2018 OHSMS
- IEC61215/IEC61730 Standard quality



Mono | 590 - 610W

MECHANICAL CHARACTERISTICS

Solar Cells	Mono
No. of Cells	120 (6x20)
Dimensions	2172 x 1303 x 35mm
Weight	31.0kgs
Front Glass	3.2mm coated tempered glass
Frame	Anodized aluminium alloy
Junction Box	Ip68 rated (3 by pass diodes)
Output Cables	4.0mm ² 300mm (+) / 300mm (-) Length can be customized
Connectors	Mc4 compatible
Mechanical load test	5400Pa



ELECTRICAL PARAMETERS

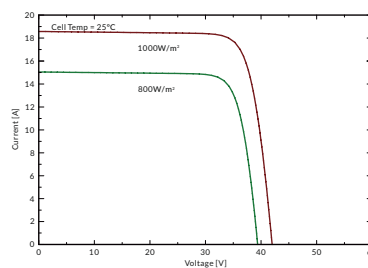
POWER CLASS	LNEK-590M		LNEK-595M		LNEK-600M		LNEK-605M		LNEK-610M	
	STC	NMOT	STC	NMOT	STC	NMOT	STC	NMOT	STC	NMOT
Maximum power (Pmax)	590W	448W	595W	452W	600W	456W	605W	460W	610W	464W
Open Circuit Voltage (Voc)	41.34V	38.72V	41.52V	38.92V	41.69V	39.11V	41.87V	39.31V	42.03V	39.50V
Short Circuit Current (Isc)	18.42A	14.94A	18.47A	14.98A	18.53A	15.02A	18.58A	15.06A	18.64A	15.10A
Voltage at Maximum power (Vmpp)	34.37V	31.80V	34.55V	31.94V	34.72V	32.09V	34.91V	32.24V	35.08V	32.38V
Current Maximum Power (Impp)	17.17A	14.09A	17.22A	14.15A	17.28A	14.21A	17.33A	14.27A	17.39A	14.33A
MODULE EFFICIENCY (%)	20.85%		21.02%		21.20%		21.38%		21.55%	

STC: Irradiance 1000W/m², cell temperature 25°C, AM1.5G NMOT: Irradiance 800W/m², ambient temperature 20°C, wind speed 1m/s, AM1.5G

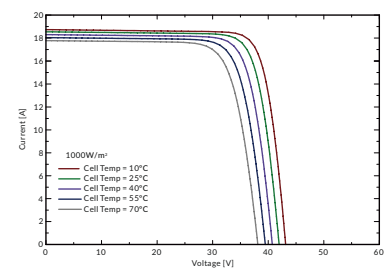
PACKING CONFIGURATION

Container	40'HQ
Pieces per pallet	31
Pallets per container	18
Pieces per container	558

I-V CURVE



LNEK-605M/I-V



OPERATING CHARACTERISTICS

Operating Module Temperature	-40°C to +85°C
Maximum System Voltage	1500 DC (IEC)
Maximum Series Fuse Rating	30A
Power Tolerance	0/+5W

TEMPERATURE CHARACTERISTICS

Nominal Operating Temperature (NMOT)	43±2°C
Temperature Coefficient of Pmax	-0.34%/°C
Temperature Coefficient of Voc	-0.25%/°C
Temperature Coefficient of Isc	+0.04%/°C

Note: Due to continuous technical innovation, R&D and improvement, technical data above mentioned may be of modification accordingly. SUNLIKE SOLAR have the sole right to make such modification at anytime without further notice.