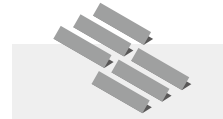


YTG590-610P-60/M

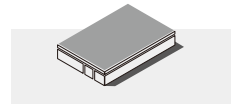
Adopting PERC technology on G12 wafer, perfectly matches the mainstream system design.

Lower voltage brings higher string power, thus lower system cost.

Advanced module technologies are adopted like multi-busbar, half cell, non-destructive cutting, and intelligent soldering.



Utility



Commercial



High Power Output



Low LCOE



Better Mechanical Performance



Long-term Reliability

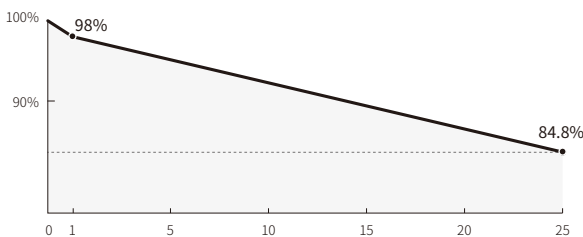
Warranty

Product warranty 12 Years

1st year degradation $\leq 2\%$

Linear power warranty 25 Years

Annual degradation $\leq 0.55\%$



Certificates

IEC 61215, IEC 61730

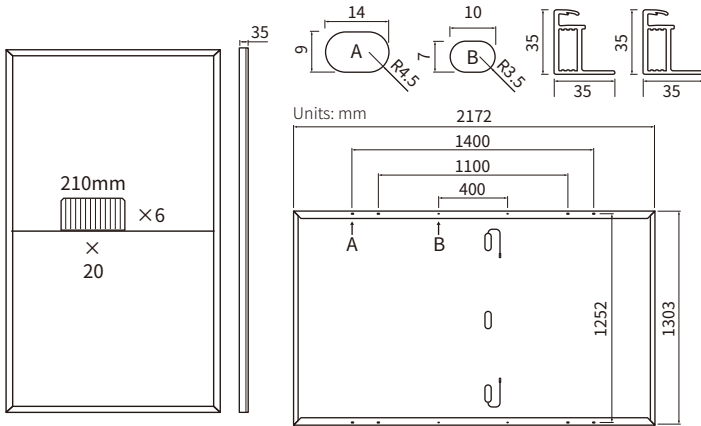
ISO 9001:2015 Quality management systems

ISO 14001:2015 Environmental management systems

ISO 45001:2018 Occupational health and safety management systems



YTG590-610P-60/M



Mechanical Parameters

Cell type	Mono PERC
No. of cells	120 (6*20)
Junction box	IP68, 3 diodes
Cable	4mm ² ; 300mm(+)/400mm(-) or customized
Glass	Single glass, 3.2mm
Frame	Anodized aluminum alloy frame
Weight	31.0kg±3%
Dimensions	2172mm x 1303mm x 35mm
Packaging	31 pcs/pallet, 558 pcs/40HQ container

Electrical Parameters

STC: AM1.5 1000W/m² 25°C NMOT: AM1.5 800W/m² 20°C 1m/s

Module type	YTG590P-60/M		YTG595P-60/M		YTG600P-60/M		YTG605P-60/M		YTG610P-60/M	
	STC	NMOT	STC	NMOT	STC	NMOT	STC	NMOT	STC	NMOT
Rated maximum power Pmax (W)	590	447	595	451	600	455	605	459	610	463
Open circuit voltage Voc (V)	41.13	38.26	41.31	38.42	41.51	38.60	41.68	38.74	41.86	38.92
Short circuit current Isc (A)	18.24	14.96	18.30	15.00	18.36	15.06	18.42	15.11	18.48	15.17
Maximum power voltage Vmp (V)	34.30	31.80	34.48	31.95	34.66	32.12	34.84	32.28	35.02	32.43
Maximum power current Imp (A)	17.21	14.06	17.26	14.12	17.32	14.17	17.37	14.22	17.42	14.28
Module efficiency (%)	20.8		21.0		21.2		21.4		21.6	

Temperature Coefficients

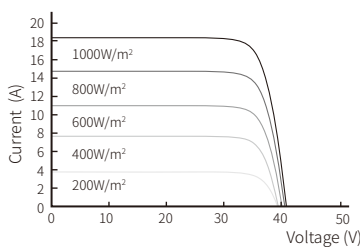
Temperature coefficient α_{Isc}	+0.045%/°C
Temperature coefficient β_{Voc}	-0.275%/°C
Temperature coefficient γ_{Pmax}	-0.350%/°C

Operating Conditions

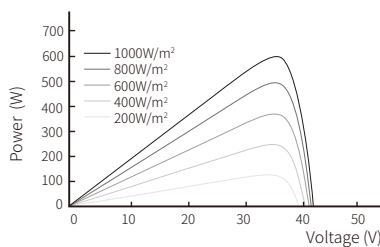
Operating temperature	-40°C~+70°C	Nominal operating cell temperature	45±2°C
Pmax, Voc, Isc tolerance	±3%	Front side Max. static test loading	5400 Pa
Power selection	0~+5W	Rear side Max. static test loading	2400 Pa
Maximum system voltage	1500V DC		
Maximum series fuse rating	30A		

Graphs (YTG600P-60/M)

Current - Voltage Curve



Power - Voltage Curve



Current - Voltage Curve

