

FLEXTOWER ALL-IN-ONE WHOLE HOME ENERGY STORAGE

All-in-One Solution

- Inverter, charge controller, LCD Control Panel, Battery and remote monitoring app integrated in one unit
- Supports Off-grid, Back-up, Zero Export, Time-of-Use, Demand Response, Peak Shaving, and Virtual Power Plant

Flexible & Easy Install

- IP65 water and dust proof for indoor & outdoor installation. NEMA3R
- AC or DC couple to existing or new PV arrays
- Optional Rapid Shutdown Button Included
- Side knockouts sized for solar, grid, and generator wiring

Highest Reliability for Maximal Protection

- 8000+ cycle life with tier 1 Automotive Lithium Iron Phosphate (LFP) battery
- Easily scaled to meet all large residential and commercial electricity needs

Whole Home Backup with 200A Grid Pass-through

- 200A Pass-through eliminates backup panel requirement
- Saves time on inverter wiring
- Includes battery cables and combiner for additional savings

Highest Roundtrip Efficiency to Maximize Your Solar Investment

- >98% Battery Efficiency
- 96.5% CEC-Rated Inverter Efficiency
- Compatible with Din-Rail Heaters to maximize lifecycles in cold climates



APPLICATION SCENARIOS



Residential



Small Commercial



Farm



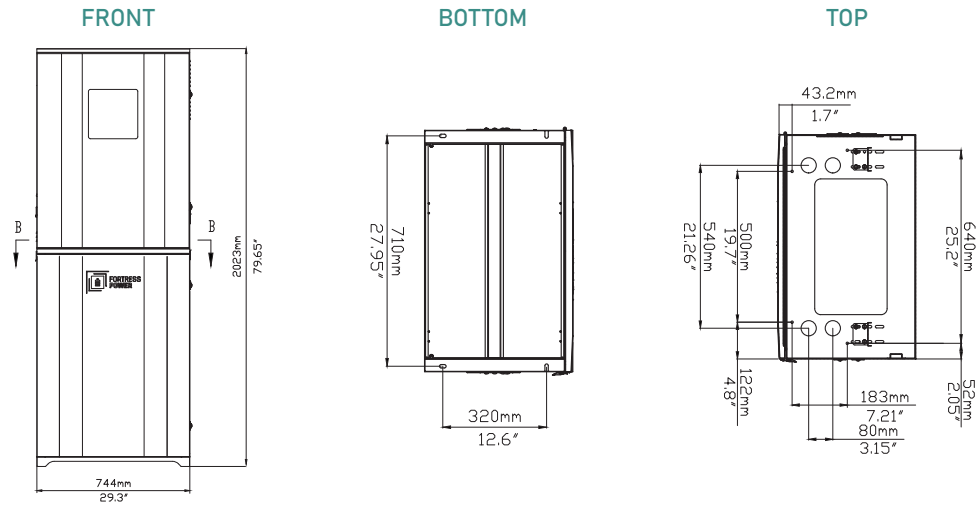
Mobile



Railway



Telecom



| Model | 12K | 15K |
|--|--|---------------------|
| On Grid AC Output | | |
| Rate AC Output Power to Grid (On-Grid) | 12000W (50A@240V) | 15000W (62.5A@240V) |
| Rate AC Output Power to Load (Off-Grid) | 9000W (37.5A@240V) | 12000W (50A@240V) |
| Grid Bypass | 15120W (63A@240V) | 48000 (200A@240V) |
| Surge AC Power for 10 sec in Backup Mode | 16,000W | 24,000W |
| AC Output Voltage | 120/240Vac (split phase), 208Vac (2/3 phase) | |
| AC Output Frequency | 50/60 Hz | |
| Inverter CEC Efficiency | 96.5% (Peak 97.5%) | |
| Response Time (Grid-tie to Off-Grid) | 5 ms | |
| PV Output | | |
| PV Input Power | 17000W | 17000W |
| PV Voltage Range | 125-500V | |
| MPPT Voltage Range | 150-425V | |
| Number of MPPT | 2 | 3 |
| Max Solar String per MPPT | 2 | 2 |
| Max DC Current per MPPT | 20A | 26A |
| Max AC coupled Input (Micro/String Inverters) | 9600W | 19200W |
| Battery (48V) | | |
| Battery Cell Type | Tier 1 Automotive Prismatic Lithium Iron Phosphate | |
| Battery Type | eFlex 5.4 | |
| Battery Capacity Range Scalable Capacity Range | 16.2 - 81 kWh | |
| Voltage Range | 45 - 56V | |
| Max Charging/Discharging Rate | 185A | 250A |
| Battery Efficiency | 98% | |
| General Data | | |
| Operation Temperature Range | 32°F ~ 114°F (0°C ~ 45°C) | |
| IP Rating | IP65/NEMA 3R | |
| Enclosure Weight | 265lbs (120kg) | |
| Dimension (W x H x D) | 29.3 x 79.5 x 17.7in (744 x 2019 x 449mm) | |
| Cooling | Fan Cooling | |
| Warranty | 10 years (8000 Cycles @ 80% DoD) | |
| Communication | Modbus, RS485, WIFI | |
| Certificates | UL 1741, UL 1741-SA, UL 1973, UL 9540, UL 9540 (A) | |
| Side Knockouts | 1.5" (3), 1.25" (1), 0.75" (4) | |