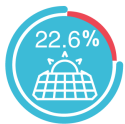


# BYDxxxMLK-33

xxx=480-500W

## Mono-facial Half Cell Module

### Key Product Features



#### Higher Output Power

Module power up to 500W  
Average cell efficiency up to 22.6 %



#### Reliability for output performance

Positive power tolerance 0-5W,  
reliable output performance  
Excellent optical performance



#### Lower LCOE

(Levelized Cost Of Energy)  
Significantly decrease BOS costs and  
operation and maintenance costs



#### Superior adaptability

3600 Pa for positive(downward) and  
1600 Pa for negative (upward)  
Safety factors Ym:1.5  
Corresponding to maximum snow and ice  
load 5400Pa,maximum wind load 2400Pa

### Comprehensive product certification

- IEC 61215-1:2016
- IEC 61215-1-1:2016
- IEC 61215-2:2016
- IEC 61730-1:2016
- IEC 61730-2:2016
- UL 61730-1 1<sup>st</sup> Edition
- UL 61730-2 1<sup>st</sup> Edition

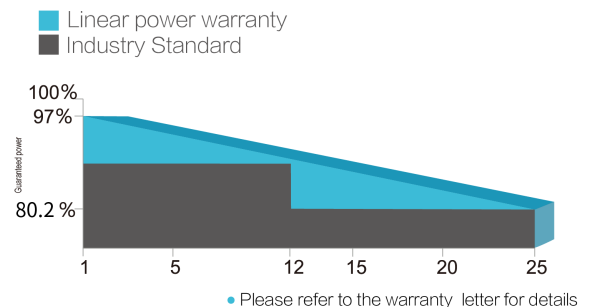


### Industry-leading Quality Assurance

12 year  
Product warranty

25 year  
linear power warranty

-0.70%  
Annual degradation



• Please refer to the warranty letter for details



Solar Power

BYD COMPANY LIMITED

NO.1, Yan'an Raod, Kuichong, Dapeng New District  
518119 Shenzhen, Guangdong  
PEOPLE'S REPUBLIC OF CHINA

TEL:

+86-755-89888888  
bydpv@byd.com



## Electrical Data(STC\*)

Module Type: BYDxxxMLK-33	BYD480MLK-33	BYD485MLK-33	BYD490MLK-33	BYD495MLK-33	BYD500MLK-33
Rate Maximum Power(Pmax)(W)	480±5%	485±5%	490±5%	495±5%	500±5%
Open Circuit Voltage(Voc) (V)	44.94	45.11	45.28	45.45	45.62
Short Circuit Current(Isc) (A)	13.56	13.66	13.76	13.86	13.96
Maximum Power Voltage(Vmp)(V)	37.75	37.98	38.20	38.42	38.64
Maximum Power Current (Imp) (A)	12.72	12.78	12.84	12.90	12.96
Module Efficiency (%)	20.44	20.65	20.86	21.08	21.29

\* Standard Test Conditions (STC) : irradiance of 1000 W/m<sup>2</sup>, spectrum AM 1.5 and cell temperature of 25°C.

## Electrical Data(NMOT\*)

Module Type: BYDxxxMLK-33	BYD480MLK-33	BYD485MLK-33	BYD490MLK-33	BYD495MLK-33	BYD500MLK-33
Rate Maximum Power(Pmax)(W)	357.3±5%	361.3±5%	365.3±5%	369.0±5%	373.1±5%
Open Circuit Voltage(Voc) (V)	42.0	42.2	42.4	42.5	42.7
Short Circuit Current(Isc) (A)	10.96	11.04	11.12	11.20	11.28
Maximum Power Voltage(Vmp)(V)	34.7	34.8	34.9	35.0	35.2
Maximum Power Current (Imp) (A)	10.31	10.38	10.46	10.53	10.61

\* Nominal Module Operating Temperature (NMOT): irradiance of 800 W/m<sup>2</sup>, spectrum AM 1.5, ambient temperature 20°C, wind speed 1 m/s.

## Operational Parameter

Operating Temperature	-40°C~+85°C
NMOT (Nominal Module Operating Temperature)	45°C±2°C
Maximum System Voltage(V)	1500 (VDC)
Maximum Fuse Current Rating(A)	25A
Fire Safety	Class C
Power Binning Tolerance	±5W

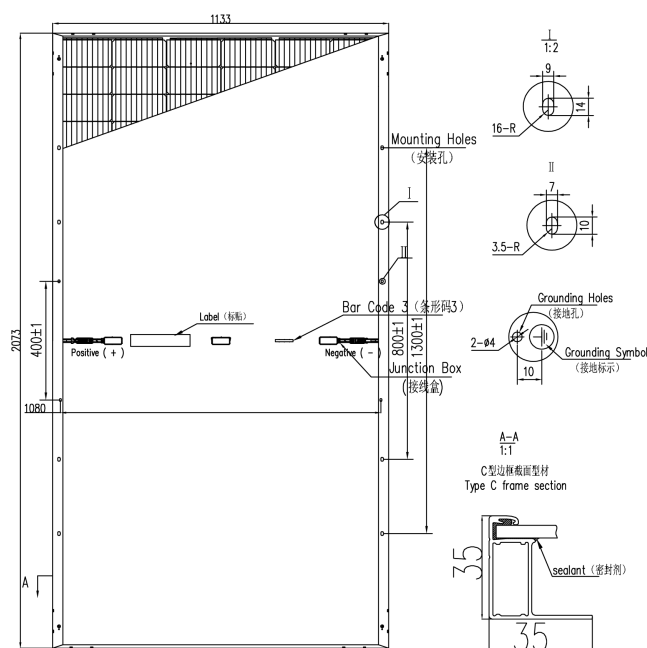
## Mechanical Properties

Cell Type	182mm*91mm
Number of Cells	132
Dimension of Module	2073*1133*35MM
Weight	26.6kg ± 5%
Front Glass	3.2mm tempered glass with AR Coating
Frame	Anodized aluminum alloy
Junction Box	IP68(3 Diodes)
Cable Length	+320mm , -260mm(4.0mm <sup>2</sup> )
Connector	PV-TS02 JiangsuTiansheng、PV-ZH202B Zhejiang Zhonghuan、BYD-L01 GuangdongBYD
Packing Information	682 (31*22) pcs per 40'HQ

## Temperature Coefficient

Peak Power Temperature Coefficient	-0.328%/°C
Open-Circuit Voltage Temperature Coefficient	-0.254%/°C
Short-Circuit Current Temperature Coefficient	0.0499%/°C

## Drawing



## I-V curve

