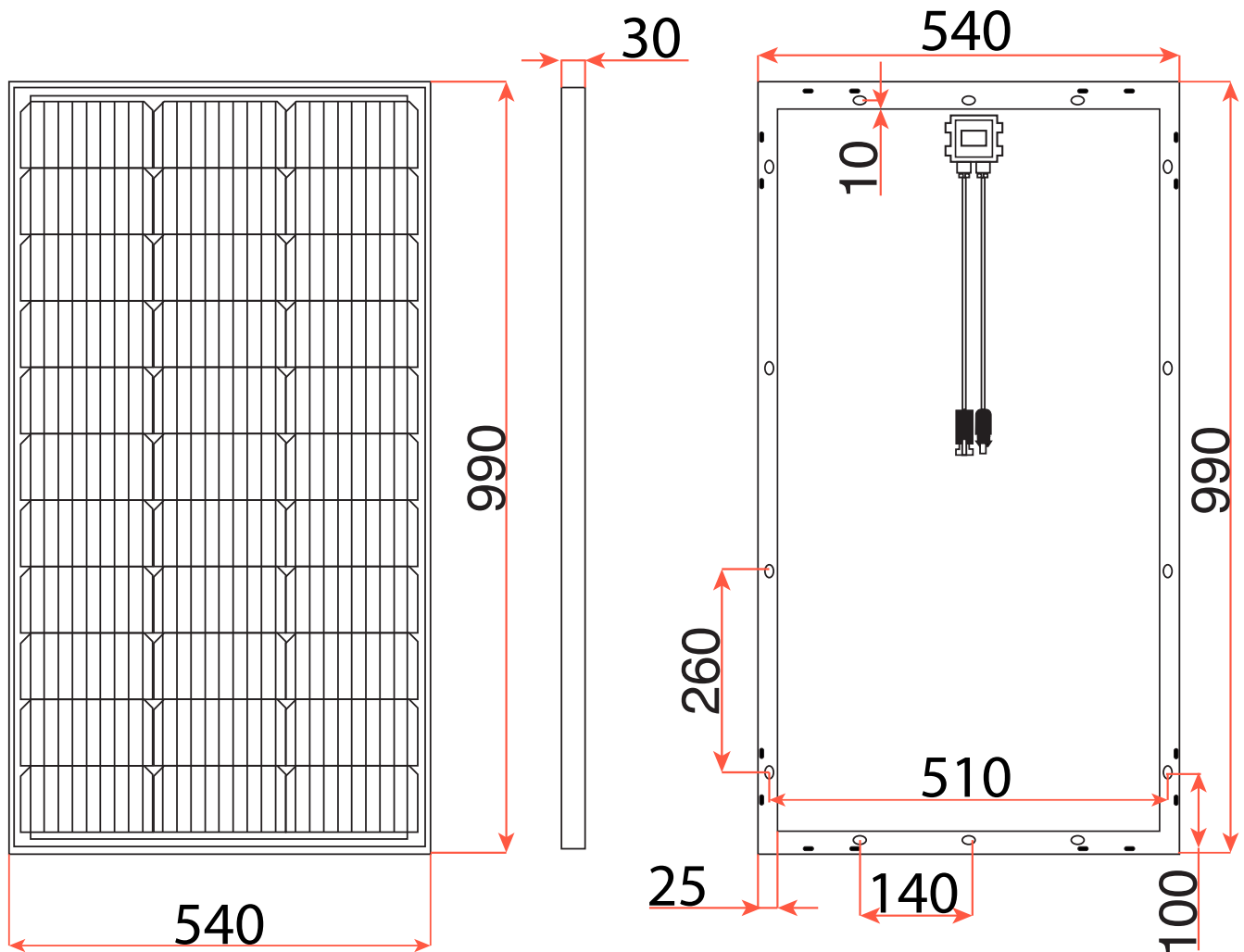


TECHNICAL DRAWING



HS100-33M

MONO-CRYSTALLINE
SOLAR MODULE

33 CELL

TECHNICAL DATA

Type	100W
Type of Solar Cell	Mono-crystalline, 6.53 x 3.27" / 166mmx83mm
Number of Cells	33
Size of module	38.98 x 21.26 x 1.18" / 990x540x30mm
Module, Weight	7.6 kg
Connector	IP-65 Junction Box / MC4
Fuse Rating	15A
Front Cover Glass	Safety Glass
Front Cover Glass, Thickness	3.2 mm
Frame	Anodized Aluminium

TEMPERATURE COEFFICIENTS

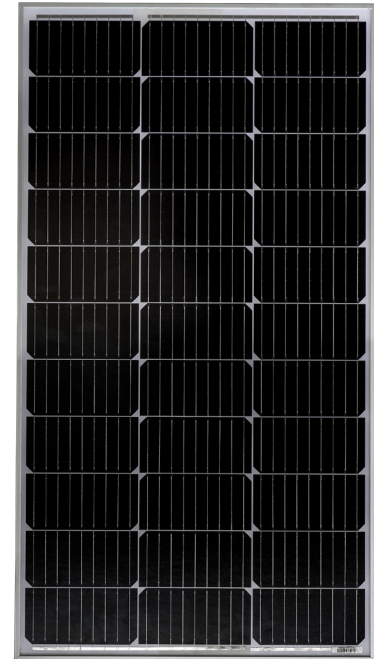
Power Coefficient (W)	-0.50 ±0.05%/K
Vmp Coefficient (V)	-0.35 ±0.01%/K
Isc Coefficient (A)	0.065 ±0.015%/K

POWER PERFORMANCE WARRANTY

10 year performance warranty to 90 %

25 year performance warranty to 80 %

5 year warranty against production and material defects



ELECTRICAL DATA (STC)

Maximum Power	100W
Power Tolerance	+ 3%
Maximum Power Voltage - Vmpp	18.5V
Maximum Power Current - Impp	5.40A
Open Circuit Voltage - Voc	21.5V
Short Circuit Current - Isc	6.20A
Cell Efficiency	21.80%
Maximum System Voltage	1000V

SAFETY AND CERTIFICATIONS

Certifications	cETLus, IEC 61215, IEC 61730, TUV, CE, ISO9001:2000
----------------	--



STC: Irradiance 1000 W/m²; SpectrumAM1.5; Cell Temperature 25°C, Wind 0 m/s

www.hubpower.ca

4238 Lozells Ave #114 Burnaby, BC V5A 0C4

Phone: (604) 420-7737

Email: sales@hubpower.ca