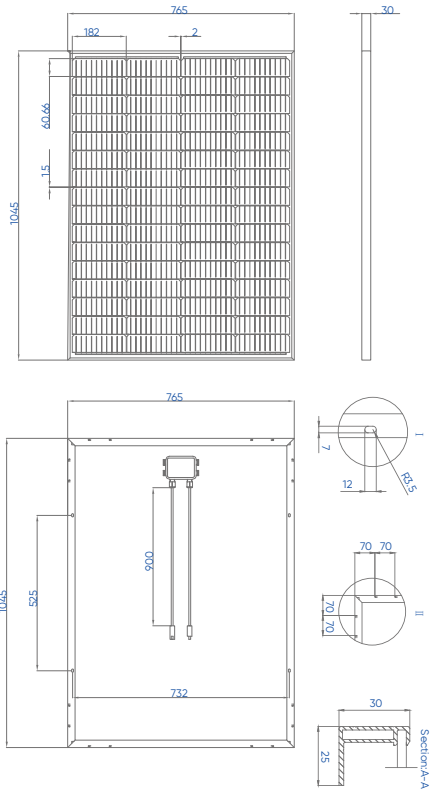
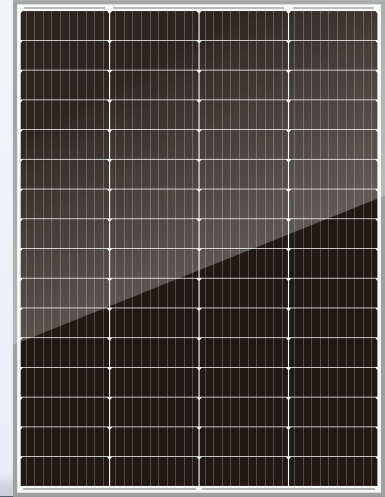


SE5-150M

150 Watt

182mm 64 Cells
Monocrystalline PV Module



Electrical Characteristics (STC)

Maximum Power- Pmax(W)	150
Open Circuit Voltage - Voc(V)	21.80
Short- Circuit Current - Isc(A)	8.42
Voltage at Pmax -Vmp(V)	18.79
Current at Pmax - Imp(A)	7.98
Module Efficiency - η_m (%)	18.94
Power Tolerance(W)	0, +4.99W
Maximum System Voltage(V)	700Vdc (IEC / UL)
Maximum Series Fuse Rating (A)	10A

* STC : Irradiance 1000W/m², Cell Temperature 25°C, AM 1.5

Mechanical Specifications

External Dimensions	1045×765×30mm
Weight	8.25kg
Solar Cells	Mono crystalline 182×60.66mm (4×16pcs)
Front Glass	3.2 mm tempered glass
Frame	Aluminum
Junction Box	IP67
Output Cables	90cm, length can be customized
Connector	MC4 Compatible
Mechanical Load	Front Side Max. 5400Pa, Rear Side Max. 2400Pa

Temperature Characteristics

Pmax Temperature Coefficient	-0.350%/°C
Voc Temperature Coefficient	-0.270%/°C
Isc Temperature Coefficient	+0.048%/°C
Operating Temperature	-40~+85°C
Nominal Operating Cell Temperature(NOCT)	45±2°C

Packing Configuration

Module Type	SE5-150M
Module Dimensions	1045×765×30mm
Pallet Dimensions	1095×1130×885mm
Pallet Weight	327kg
Pieces/Pallet	36pcs

