

ON/OFF GRID SOLAR INVERTER

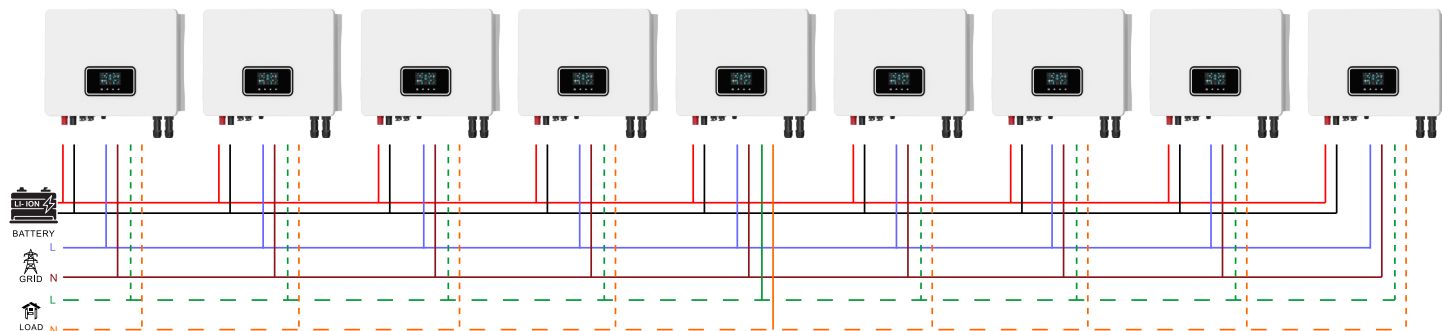
SUN-L1P-EU SERIES



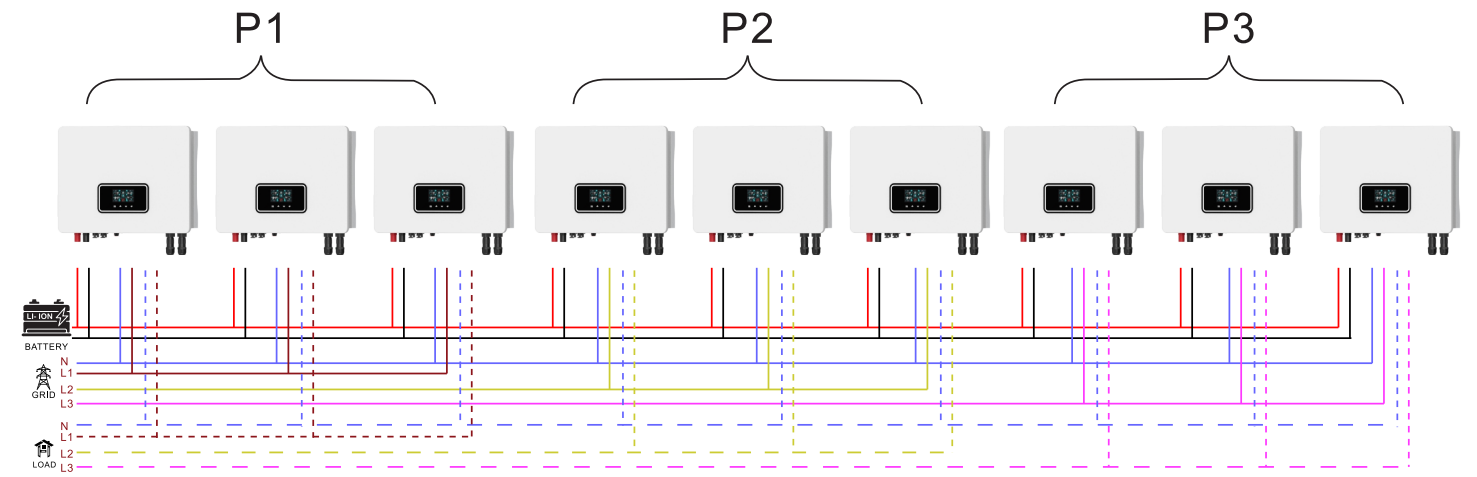
Features

- IP65 degree of protection
- Pure sine wave solar inverter(Hybrid Inverter)
- WIFI&GPRS available for IOS and Android
- One-key restoration to factory Settings
- Built-in Lithium battery automatic activation
- Built-in 80A MPPT Solar charge:max 6000W
- High PV input voltage range(60~550VDC)
- Smart battery charge design to optimize battery life
- Dual PV input
- DRMS
- Extraposition CT
- Parallel operation up to 9 units

Parallel Operation in Single phase Nine inverters in parallel power Connection



Parallel Operation in 3 phase Nine inverters in parallel power Connection



MODEL	SUN-6.0KW-L1P-EU
PV TERMINAL	
Maximum PV Input Power	6000W
Maximum PV Array Open Circuit Voltage	550VDC
MPPT Voltage Range	60~500VDC
MPPT Full Load Voltage Range	230~500VDC
Maximum Input Current	1/13.5A
Maximum Short circuit Current	16.5
MPPT Traker/Strings	2
ON-GRID TERMINAL	
Nominal Output Apparent Power	5000VA
Maximum Output Apparent Power	5000VA
Nominal Output Voltage	230VAC
Nominal Operating frequency	50Hz
Nominal Output Current	22A
Power Factor(Cos phi),Adjustable	0.8 leading ~ 0.8 lagging
BATTERY TERMINAL	
Battery Voltage	48VDC
Battery Voltage Range	40 ~ 60VDC
Maximum Charging Current	80A
Maximum Discharge Current	105A
BACK-UP TERMINAL	
Nominal Output Apparent Power	4600W
Nominal Output Current	20A
Nominal Output Voltage	220/230/240Vac
Nominal Operating frequency	50/60Hz
INTERACE	
Parallel Function	Yes,9 units
PHYSICAL	
Dimension, D x W x H (mm)	520*350*200
Carton Dimension,D X W XH(mm)	635*500*300
Net Weight (kgs)	20
Gross Weight(kgs)	23
OPERATING ENVIRONMENT	
Altitude	≤2000m
Operating Temperature	-25°C ~ 60°C,derating 45°C
STANDARD	
Compliance Safety	CE