




RALOS R-2000

Microinverter for 4 modules


 Max. Efficiency
96,5 %

 High Power
Factor

 IP67 Ingress
protection

 Integrated WIFI

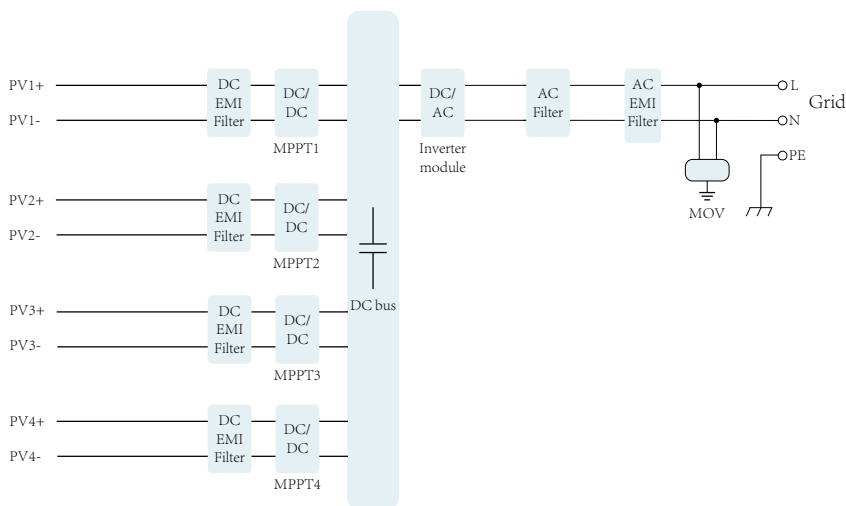
 4 MPPT

 High Surge
Endurance

Technical Specifications

Input Data(DC)		RALOS R-2000
Recommended input Power(STC)		210~620W
Maximum input DC Voltage		60V
MPPT Voltage Range		25~55V
Operating DC Voltage Range		20~60V
Max DC Short Circuit Current		16A
Max input Current		12.5×4
Output Data(AC)		
Rated output Power		2000W
Maximum output Power		2200W
Maximum output Current		9,6A
Nominal Voltage / Range		230V / 184-265
Nominal Frequency		50/60Hz
Extended Frequency / Range		45~55Hz/ 55~65Hz
Power Factor		>0,99
Maximum units per branch		3
Efficiency		
CEC Weighted Efficiency		95%
Peak Inverter Efficiency		96.5%
Static MPPT Efficiency		99%
Night Time Power Consumption		50mW
Mechanical Data		
Ambient Temperature Range		-40~65 C
Dimensions (W×H×D)		267×300×42,5 mm (Does not include cable)
Weight(kg)		5,2
Cooling		Natural convection-No fans
Enclosure Environmental Rating		IP67
Features		
Compatibility		Compatible with < 60 Voc PV modules
Communication		WIFI
Compliance		EN50549-1:2019, UL1741、 VDE0126、 VDE4105、 IEC62109、 CE、 INMETRO
Warranty		12 years

Circuit block diagram



Efficiency curve

