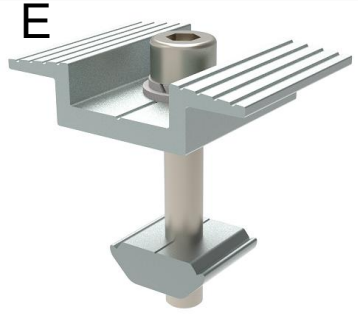
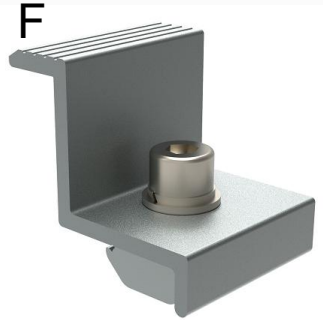


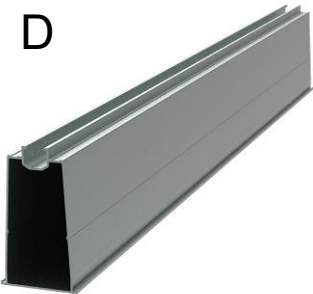
Components



XHF-MC-40, 40mm mid clamp



XHF-EC-40, end clamp



XHF-R07, 07# rail

Features:

- Effectively use of the space while generating electricity
- Economical multi-function structure , ideal to present image
- Our carport can be applicated for commercial or residential , whole structure is made of high strength extruding Aluminum alloy and the fastener is 304ss . We offer customized service for single , double , triple , four or N carports together as your request .

Parameters:

- Application: Open Filed Ground
- Module Tilt Angle: 5-20 degree
- Max Wind Speed: 60 m/s
- Snow Load: 1.4 KN/m²
- Material: Aluminum 6005-T5 & SUS304
- Carport Spots: Customized
- Warranty: 10 years warranty; 25 years service life.
- Foundation: Concrete base

Advantages:

- 1. Reduced power costs: owners can generate their own clean electricity on site instead of buying power from the utility company to reduce power costs. In addition, they can also sell extra electricity to get more money.
- 2. Make full use of the space: install solar panels on solar carport is a perfect way to make full use of the valuable real estate.
- 3. Good for vehicles: further to producing electricity for their owners, solar carports also offer protection from extremely weather like rain, snow, sun, and wind, etc., helping to prolong the useful lifetimes of the vehicle's underneath.
- 4. Provide EV-Charging: by integrating with the EV charging solution, the solar carport can not only shade our vehicles, but also charge our electric vehicles. This is very convenient for owners of EVs.
- 5. Bring more investment benefits