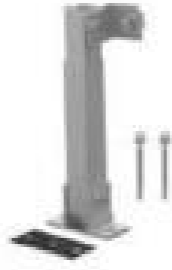





Components List

Name	Rear Leg	Front Leg
Picture	 AI-AD01-RL	 AI-AD01-FL

Calculations: solar panel qty is A
 Rear Leg= A*2
 Front Leg= A*2

For example: 4 pcs solar panel
 Rear Leg= 8 sets
 Front Leg=8 sets

AI-AD01 Adjustable Mounting System
 2 pcs of front leg
 2 pcs of rear leg, Height: 390~670mm

AI-AD02 Adjustable Mounting System
 2 pcs of front leg
 2 pcs of rear leg, Height: 911-1712mm

Solar Panel Adjustable Mounting

- Ideal for easy transportation and safe mounting.
- Maximum tilt angles depend on the size of solar panels.
- Used on flat surface or roof.
- Easy of installation.
- Light weight aluminum alloy material.

Technical Data

Installation Site:Roof, Ground, Balcony and so on

Main Material: Aluminum alloy and SUS304

Color:Natural

Surface treatment:anodized thickness 10um

Tilt angle:Flat, up to 60 degrees

Solar Panel: suitable for all solar panel

Array: according client' s requirement

Height of buliding: up to 20meters

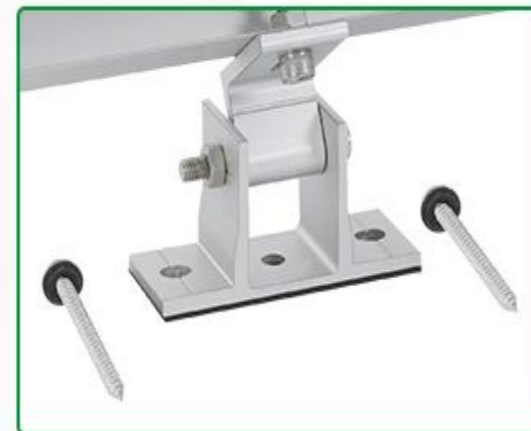
Standard: CE and AS/NZS 1170 & DIN 1055

Wind Load:45m/s

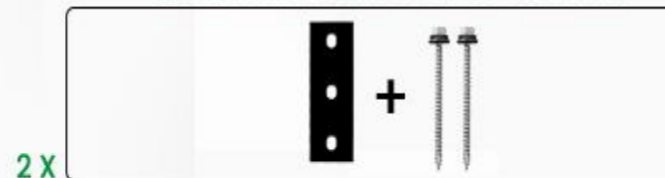
Snow Load:1.4kn/m2

Warranty:10years

Duration:25years



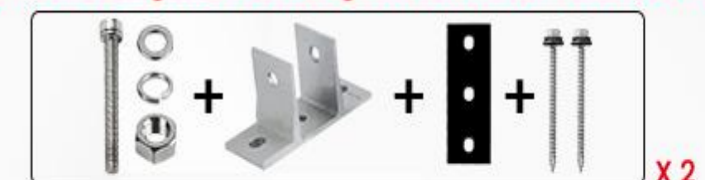
3.Mount the Front Rear to Ground



1.Connect the Front Leg to Solar Panel



4.Adjust the Length of Rear Leg and Mount on the Ground



2.Connect the Rear Leg to Solar Panel

