

# Microinverters

## Tiger Series 2PV input

- Tiger-600W2E1P
- Tiger-800W2E1P
- Tiger-1KW2E1P
- Tiger-1.2KW2E1P

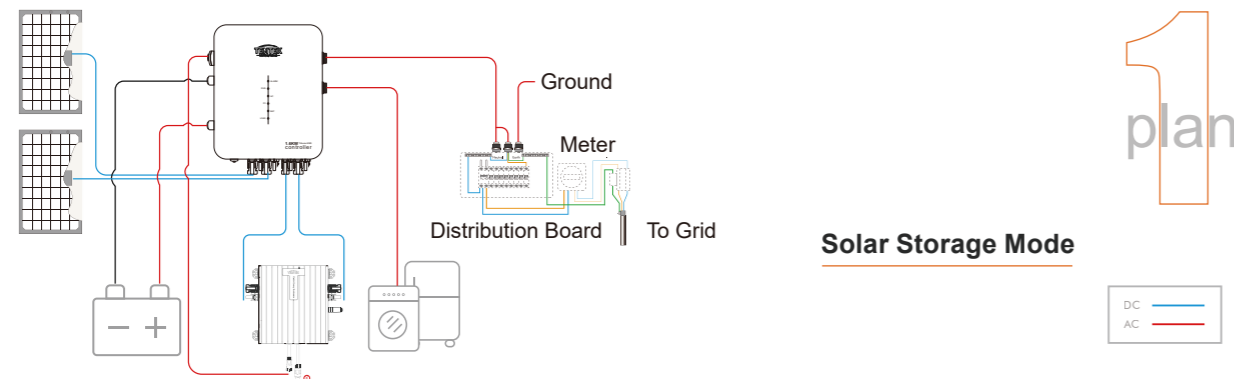


### ► Description:

TENTEK Tiger series microinverters are on/off grid inverters, which work with our Tribune-EMS series controller to magically create a residential solar storage system that will support battery mode operation without main power. In addition, two independent MPPT inputs ensure the maximum output of each solar panel. Since the 25-year lifespan of microinverter is designed to be the same as the solar panel, customers do not need to be worried about the hassle of replacing the inverter after a few years.

### ► Features:

- Solar panels output voltage <60VDC, which decreases the risk of an electrical fire.
- One panel would match one MPPT, increasing 5-15% power in production compared to string inverters.
- Keeping each panel to work individually avoids the impact of partial shadows on the entire solar system.
- Independently tracking each of the solar panels' production makes it easy to identify each solar panel's performance.
- Flexible application allows it to switch to off-grid mode to supply AC power to home devices.
- Lightweight and compact with plug-and-play connectors, it is easy to install.
- Monitor the running station anytime, anywhere using the app.

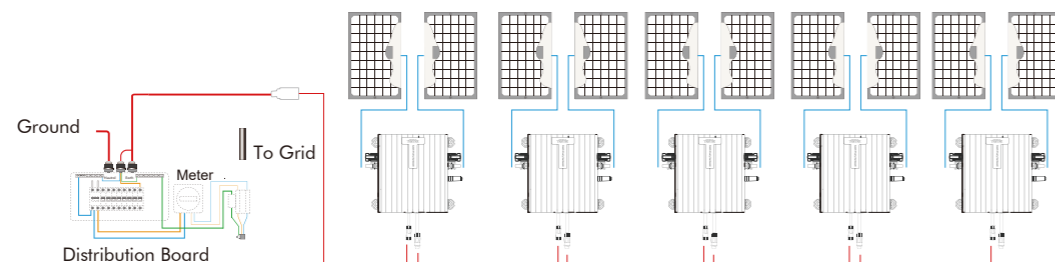


plan 1

DC — Blue  
AC — Red

plan 2

### On-grid Mode



Model	Tiger-600W2E1P	Tiger-800W2E1P	Tiger-1KW2E1P	Tiger-1.2KW2E1P
<b>PV Input Data</b>				
Number of MPPT Trackers	2			
Suggested Modules Range	300W~400W	350W~450W	400W~450W	550W~600W
Max. Input DC Voltage	60V			
MPPT Operating Voltage Range	25~50V			
Startup Voltage	20V			
Overvoltage Class DC Port	II			
DC Port Backfeed Current	0 A			
Max. Input Current	2 × 18 A			
PV Array Requirement	2x1 Ungrounded array; No Additional PV side protection required			
<b>AC Output Data</b>				
Peak Output Power	1800W	2400W	3000W	3600W
Max. Continuous Output Power	600W	800W	1000W	1200W
Max. Continuous Output Current	2.7A( 5A@120V)	3.6A( 6.79A@120V)	4.55A ( 8.3A@120V)	5.45A ( 10A@120V)
Nominal Output Voltage	220/230Vac(187-278Vac) / 120V(60-144Vac)			
Nominal Frequency/Range	50HZ/60HZ			
Extended Frequency/Range	45~55Hz / 55~65Hz			
AC Short Circuit Current	7.5A ( 13.7A@120V)			
Max. Units Per Branch Circuit	3 PCS			
Overvoltage Class AC Port	III			
Power Factor(Adjustable)	>0.99 Default, 0.8 Leading...0.8 Lagging...			
Level of Harmonics Distortion	<3%			
AC Protection Required	AC Output Side Need 63A Circuit Breaker(on grid mode)			
<b>Efficiency</b>				
CEC Weighted Efficiency	95%			
Peak Inverter Efficiency	95.50%			
Static MPPT Efficiency	99%			
Night Time Power Consumption	< 50mW			
<b>Mechanical Data</b>				
Operating Ambient Temperature Range	-40 °C to +65 °C(-40 °F to +149 ° F )			
Storage Ambient Temperature	-40 °C to +85 °C(-40 °F to +185° F )			
Relative Humidity Range	4% to 100% (condensing)			
Connector Type: DC	MC4			
Dimensions(W*H*D)	218*245*42mm			
Weight	4.5KG			
Cooling	Natural Convection-No Fans			
Approved for Wet Locations	Yes			
Enclosure Rating	IP67			
AC Cable Length(Customizable)	Standard 2.4m(customized available)			
<b>Features</b>				
Communication	WIFI			
Monitoring	Support Remote Web Page Monitoring and Mobile APP by TENTEK Cloud			
Compliance	Inmetro, UL1741, VDE4105, VDE0126, CE,EN50549...			

- Support off-grid operation and battery mode operation without mains power