

# All-in-One IP65 Solar Pumping inverter

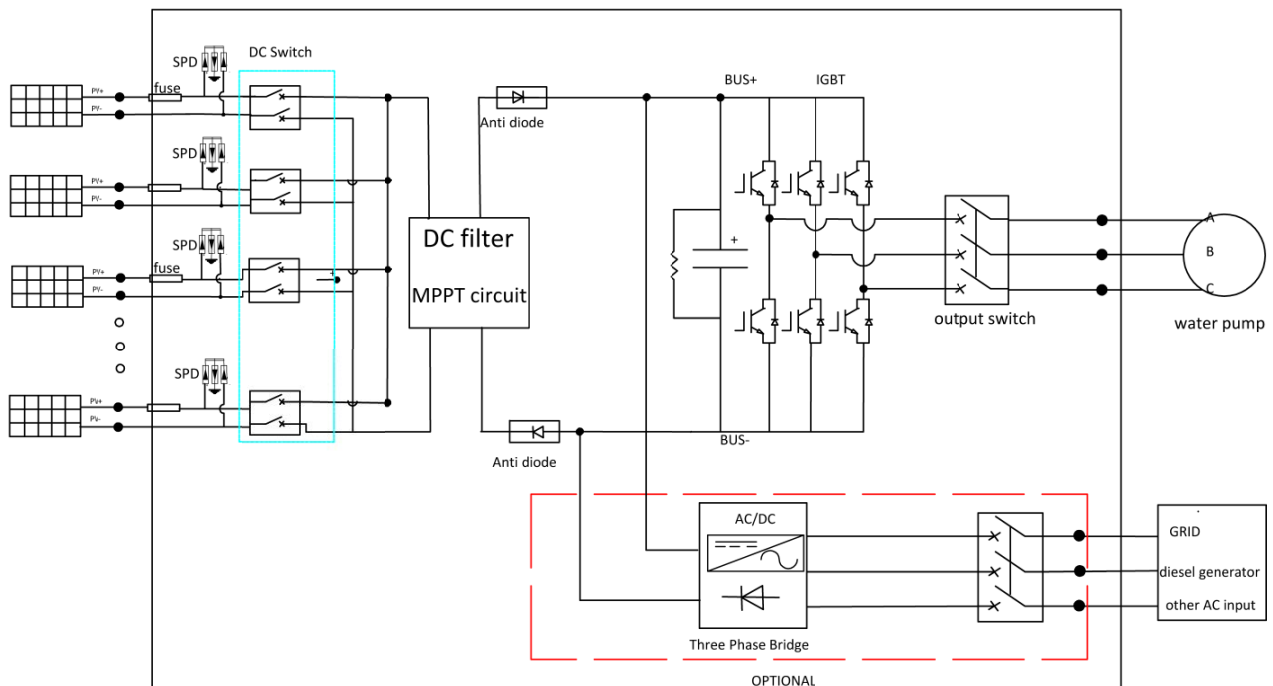
Solar Pumping inverter is designed to run water pump directly with solar panels input under sunshine. With solar MPPT(max power point tracking) and Various Frequency technologies, solar pumping inverter could also make usage of solar panels at max and protect pump motor at the same time. With 10years experiences on technologies of solar inverter, this series solar pumping inverter from **CoHeart Power** is built-in more stable, efficient features, making them your best choice for solar pumping systems even under extreme harsh environments!



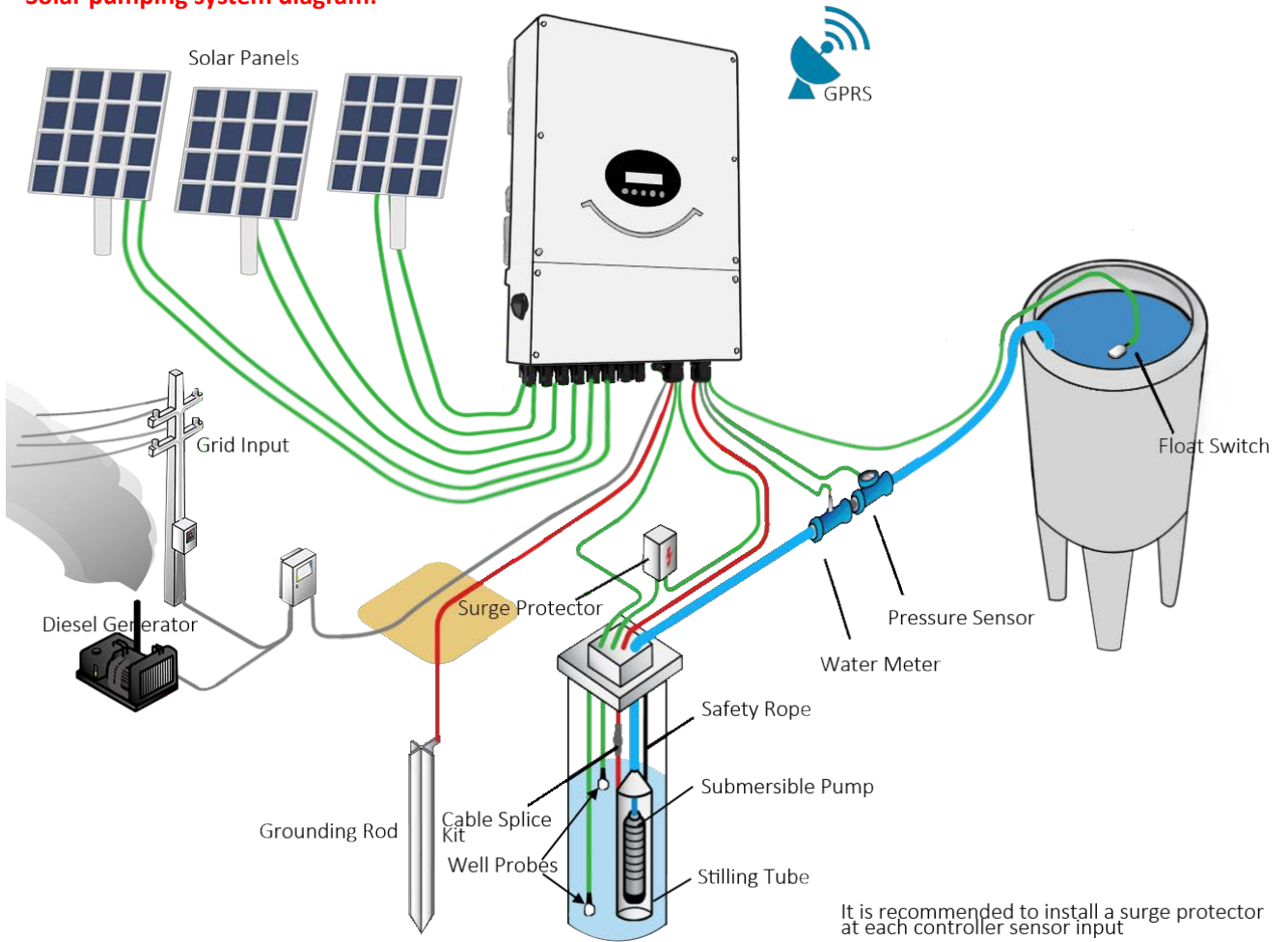
## Features:

- Max input PV voltage **500Vdc!**
- PV combine box** inside with MC4, plug&play!
- Built-in solar **DC switch, SPD, fuses** etc.
- MPPT** circuit at **99.9%** efficiency!
- IP65** water/dust-proof case with full aluminum sink!
- Hybrid inputs:** solar or Grid/generator AC(optional), solar will be used at first if solar  $V_{mpp} > 330V$  and AC power make up only insufficient part.
- Max conversion efficiency **98%**!
- Enough ports for communication & sensors!
- Fully automatic running!
- Optional **GPRS** module & remote control!
- Store running data up to 8years!
- Full running **protection** on motor and itself, such as output short-circuit, IGBT over-current, input over/under voltage, overload, module over-heat, grounding protection, dry-run, lose-phase, lowest running frequency, etc.

## Topology Diagram:



**Solar pumping system diagram:**



**Datasheet:**

MODEL	CHP6-1K1SL	CHP6-1K1L	CHP6-1K5SL	CHP6-1K5L	CHP6-2K2SL	CHP6-2K2L
<b>PV INPUT</b>						
Max PV Input Voltage(Vdc)	500Vdc					
MPPT Voltage Range(Vdc)	200~360Vdc					
Qty.of Input Strings	1			1		
Max Input Current(A)	12A	12A	13A	13A	13A	13A
<b>AC INPUT</b>						
(For model with -G; Hybrid inputs: Solar will be used at first if solar Vmpp>330V and AC power make up only insufficient part)						
AC Input Voltage(Vac)	220±15%					
AC Input Frequency(Hz)	50/60±5%					
<b>AC OUTPUT</b>						
Rated Output Power(W)	1100W	1100W	1500W	1500W	2200W	2200W
Max Output Current(A)	8.6A	8.6A	10A	10A	14A	14A
AC Output Voltage(Vac)	220Vac/1Phase	220Vac/3Phase	220Vac/1Phase	220Vac/1Phase	220Vac/1Phase	220Vac/3Phase
Output frequency(Hz)	0~50/60Hz					
<b>General</b>						
Noise typical[dB(A)]	<45dB			<45dB		
Cooling Concept	Natural cooling					
Operating Temperature(°C)	-25~+60°C					
Protect Level	IP65					
Communication	RS485/(GPRS Optional)					
Dimension((W×D×H)/weight)	380*290*150mm, 7kg			380*290*150mm, 7.5kg		