

Product Introduction

Trapezoidal solar mounting system is using self-drilling screws to apply to fasten the clamps and the tin roof, then fasten the solar panels onto the rail with end and mid clamps. This system is structural efficient and easy installed which is time saving and, cost-efficient and durable.

Parameter

Wind Load: : 45M/S

Snow Load: : 0.8KN/M²

Span Range: 0.1-1.8M

Design Standard:AS/NZS1170, ASCE7-05, DIN1044,

BSEN1990:2002,BSEN1991-1-3:2000,

BSEN199-1-4:2005

Installation Site:Tin Roof

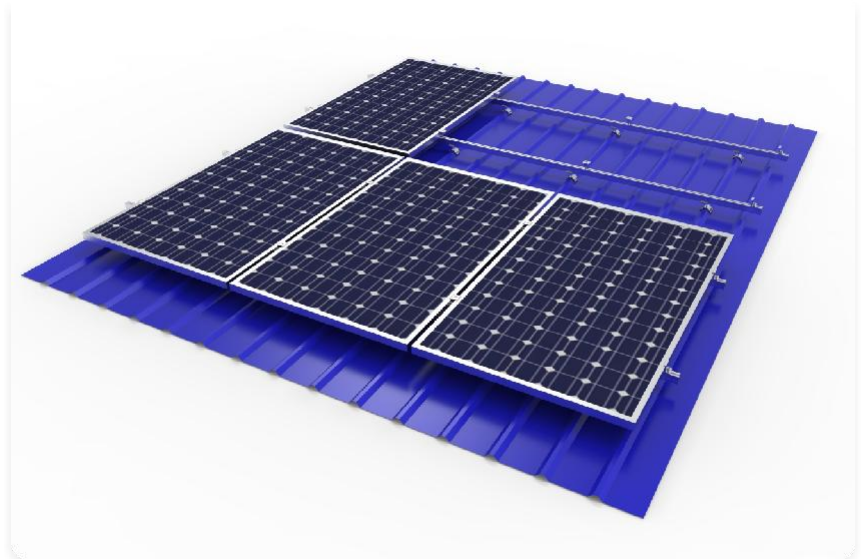
Main Material:AL6005-T5/SUS304

Fastener Material: :: SUS304

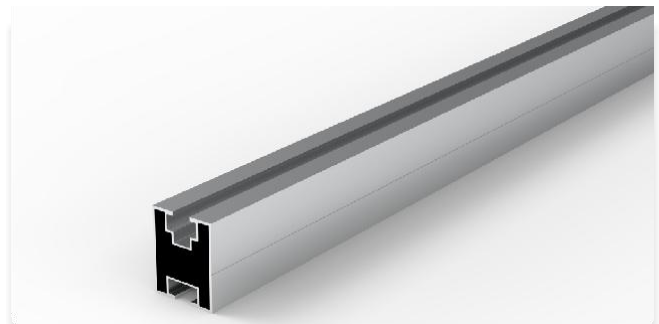
PV Module:Framed/Unframed

Module Layout:According to requirements

Warranty:10 Years



5.Tin Roof Trapezoidal Mount System



Light Rail



End Clamp



Mid Clamp



Rail Splicer Trapezoidal Clamp