

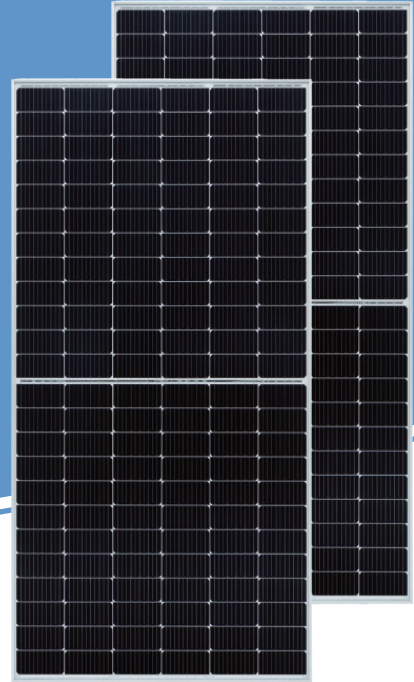
# EvoSolar

by  Voxery

## Evosolar NE-S144/M10H 182mm Half Cell Series

# 530-550W

144-CELL HALF CUT MONOCRYSTALLINE SOLAR MODULE



### Product Advantages



#### 10BB half-cut cell technology

New circuit design, lower internal current, lower Rs loss  
Ga doped wafer, attenuation <2% (1st year) / ≤0.55% (Linear)



#### Significantly lower the risk of hot spot

Special circuit design with much lower hot spot temperature



#### Lower LCOE

2% more power generation, lower LCOE



#### Excellent Anti-PID performance

2 times of industry standard Anti-PID test by TUV SUD



#### IP68 junction box

High waterproof level

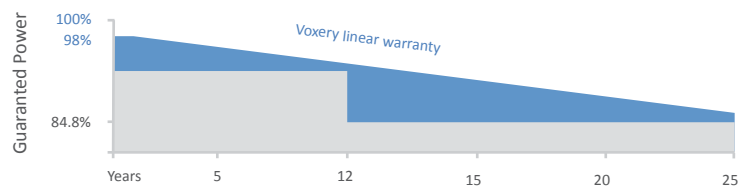
21.3%

Module efficiency

550W

Highest power output

### Performance Warranty



-2.00%

First year power degradation

-0.55%

Annual degradation

15  
Years

Materials and workmanship warranty

25  
Years

Linear power warranty

### Product Certification



Voxery

Quinta da Bergerie Prendedores 3660-068 CARVALHAIS SPS PORTUGAL

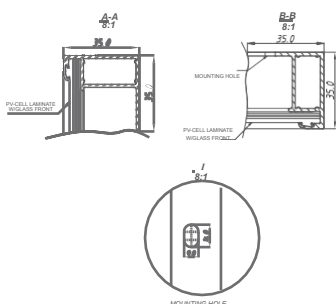
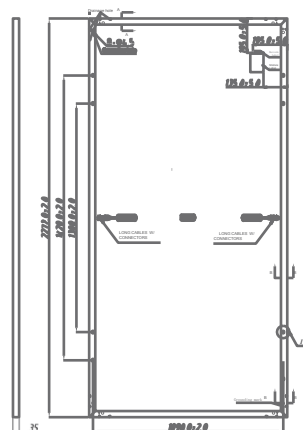
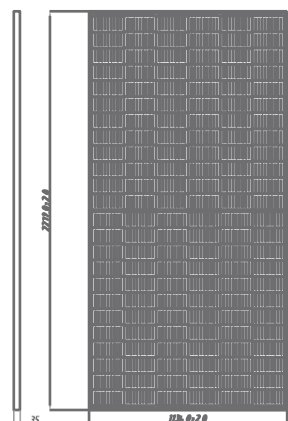
Web: [www.voxerysolar.com](http://www.voxerysolar.com)

Email : [info@voxerysolar.com](mailto:info@voxerysolar.com)

# EvoSolar

by  Voxery

## TECHNICAL DRAWINGS



## ELECTRICAL PARAMETERS

Maximum Power (Pmax/W)*	530	535	540	545	550
Operating Voltage (Vmp/V)	40.8	41.0	41.2	41.4	41.6
Operating Current (Imp/A)	13.00	13.05	13.11	13.17	13.23
Open-Circuit Voltage (Voc/V)	49.0	49.2	49.4	49.6	49.8
Short-Circuit Current (Isc/A)	13.76	13.81	13.87	13.93	13.99
Module Efficiency ηm(%)	20.5	20.7	20.9	21.1	21.3
Power Tolerance(W)	0~+5				

STC:Irradiance 1000W/m<sup>2</sup>,module temperature 25 °C,AM=1.5,\*Measuring tolerance:±3%

### Performance at NMOT

Maximum Power (Pmax/W)	395	398	402	406	410
Operating Voltage (Vmp/V)	38.0	38.2	38.4	38.6	38.8
Operating Current (Imp/A)	10.40	10.44	10.49	10.54	10.58
Open-Circuit Voltage (Voc/V)	45.9	46.1	46.3	46.4	46.6
Short-Circuit Current (Isc/A)	11.09	11.13	11.18	11.23	11.28

NMOT:Irradiance 800W/m<sup>2</sup>,ambient temperature 20 °C,AM=1.5,wind speed 1m/s

## MECHANICAL SPECIFICATION

Cell Type	Monocrystalline
Cell Dimensions	182*182mm
Cell Arrangement	144 (6*24)
Weight	29kg
Module Dimensions	2279*1134*35mm
Cable Length	Portrait 350mm/Customized
Cable Cross Section Size	TÜV: 4mm <sup>2</sup>
Front Glass	3.2mm AR Coating Tempered Glass
No. of Bypass Diodes	3/6
Packing Configuration	31pcs/Carton, 620pcs/40HQ
Frame	Anodized Aluminium Alloy
Junction Box	IP68

## OPERATING CONDITIONS

Maximun System Voltage	1000V/1500V/DC(IEC)
Operating Temperature	-40°C to +85°C
Maximun Series Fuse	25A
Static Loading	Snow Loading: 5400Pa/ Wind Loading: 2400Pa
Conductivity at Ground	≤0.1Ω
Safety Class	II
Resistance	≥100MΩ
Connector	MC4 compatible

## TEMPERATURE COEFFICIENT

Temperature Coefficient Pmax	-0.34%/°C
Temperature Coefficient Voc	-0.25%/°C
Temperature Coefficient Isc	+0.040%/°C
NMOT	43±2°C

I-V CURVE  
NE S144/M10H-540

