

## All-in-one solar charger inverter

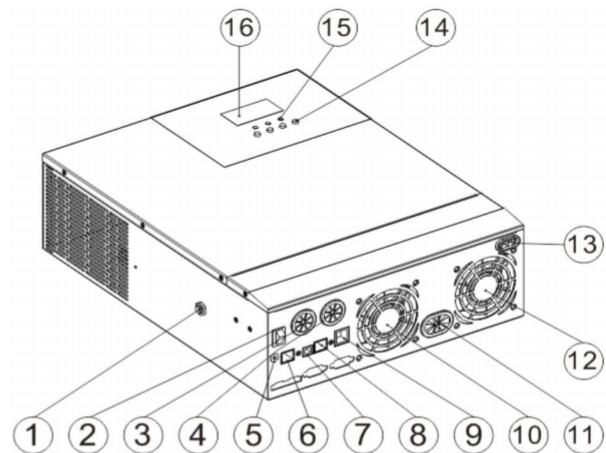
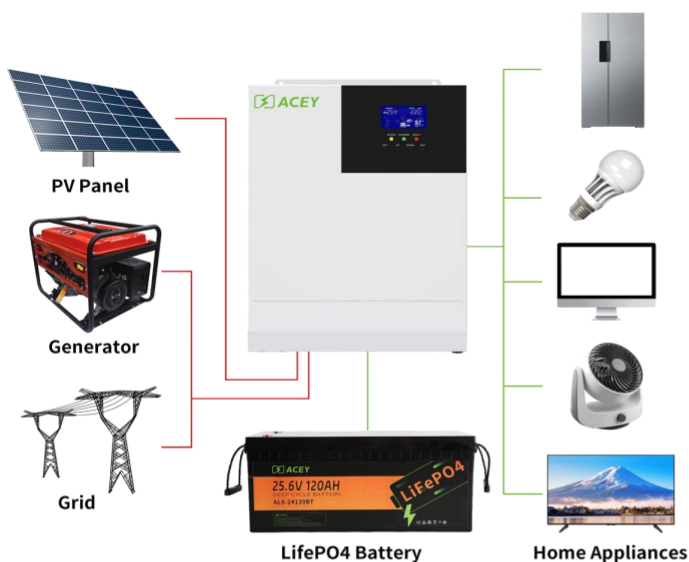
ACEY-HF4850S80-H



### PRODUCT CHARACTERISTICS

- Full digital voltage and current double closed loop control, advanced SPWM technology, output of pure sine wave.
- Two output modes: mains bypass and inverter output; uninterrupted power supply.
- Available in 4 charging modes: Only Solar, Mains Priority, Solar Priority and Mains & Solar hybrid charging.
- Advanced MPPT technology with an efficiency of 99.9%.
- With the charging requirement (voltage, current, mode) settings, and suitable for various types of energy storage batteries.
- ON/OFF rocker switch for AC output control.
- Power saving mode available to reduce no-load loss.
- Intelligent variable speed fan to efficiently dissipate heat and extend system life.
- Lithium battery activation design, allowing access of lead-acid battery and lithium battery.
- 360 ° all-round protection with a number of protection functions. Such as overload, short circuit and over current.
- Supply of a variety of user-friendly communication modules, such as RS485(GPRS, WiFi),USB etc., and suitable for computer, mobile phones, Internet monitoring as well as remote operations.
- Lithium battery can be activated by both mains and PV.

### ENERGY STORAGE SOLUTIONS AND APPEARANCE



①	Overload protector	⑨	Dry contact port
②	ON/OFF rocker switch	⑩	Cooling fan
③	AC input port	⑪	Battery port
④	AC output port	⑫	Cooling fan
⑤	Grounding screw hold	⑬	PV port
⑥	RS485-2communication port	⑭	Touch the key lightly
⑦	USB communication port	⑮	Indicator light
⑧	RS485-1 communication port	⑯	LCD screen

# Technical Parameters

Model	All-in-one solar charger inverter ACEY-HF4850S80-H
<b>INVERTER OUTPUT</b>	
Rated Output Power	5000W
Max.Peak Power	10000VA
Rated Output Voltage	230Vac ( L/N/PE single phase)
Load Capacity of Motors	4HP
Rated AC Frequency	50Hz/60Hz
Waveform	Pure Sine Wave
Switch Time	10ms ( typical)
<b>BATTERY</b>	
Battery Type	Li-ion/Lead-Acid/User Defined
Rated Battery Voltage	48Vdc
Voltage Range	40~60Vdc
Max.MPPT Charging Current	80A
Max.Mains/Generator Charging Current	60A
Max.Hybrid Charging Current	80A
<b>PV INPUT</b>	
Num. of MPPT Trackers	1
Max.PV Array Power	5200W
Max.Input Current	18A
Max.Voltage of Open Circuit	500Vdc
MPPT Voltage Range	120~450Vdc
<b>MAINS/GENERATOR INPUT</b>	
Input Voltage Range	UPS:170~280Vac APL:90~280Vac
Frequency Range	50Hz/60Hz
Bypass Overload Current	40A
<b>EFFICIENCY</b>	
MPPT Tracking Efficiency	99.9%
Max. Battery Inverter Efficiency	92%
<b>GENERAL</b>	
Dimensions	426*322*116mm
Weight (kg)	10.9kg
Protection Degree	IP20, Indor Only
Operating Temperature Range	-15℃~55℃
Noise	<60dB
Cooling Method	Internal Fan
Warranty	2 years
<b>COMMUNICATION</b>	
Embedded Interfaces	RS485/CAN/USB/Dry contact
External Modules (Optional)	Wi-Fi/GPRS