



AGGERSSOR

JUSTSOLAR

Halfcut 182mm

MONO MODULE

JST-EBMH-(530-550)W-D



High conversion efficiency  
High module efficiency to guarantee power output.



0 to +5W positive tolerance  
Detailed information in Electrical Specifications.



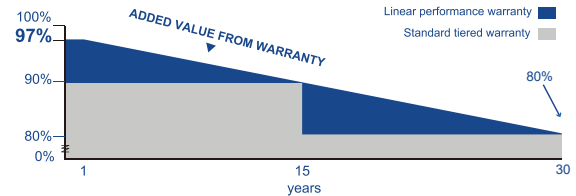
Self-cleaning glass  
Coating glass for self-cleaning, reduce surface dust.



48-hour response service



Outstanding low irradiation performance  
Excellent module efficiency even in the weak light conditions, such as morning or cloudy.



Excellent loading capability  
2400Pa wind loads, 5400Pa snow loads.



30-year performance warranty

15-year warranty on materials and workmanship

IEC 61215 Ed.2  
IEC 61730  
UL 1703



## ELECTRICAL DATA

Model Type (JST-EBMH-***W-D)	530	535	540	545	550
Peak Power (Pmax)	530W	535W	540W	545W	550W
Module Efficiency	20.7%	20.9%	21.1%	21.3%	21.5%
Maximum Power Voltage (Vmp)	40.80V	41.00V	41.20V	41.40V	41.60V
Maximum Power Current (Imp)	13.00A	13.05A	13.11A	13.17A	13.23A
Open Circuit Voltage (Voc)	49.00V	49.20V	49.40V	49.60V	49.80V
Short Circuit Current (Isc)	13.76A	13.81A	13.87A	13.93A	13.99A
Power Tolerance			0 to +5W		
Maximum System Voltage			1000/1500V		
Nominal Operating Cell Temperature			41±3°C		
Maximum Series Fuse Rating			15A		

## MECHANICAL DATA

Cell Type	182mm, Mono
Number of Cells	144(12×6×2)
Weight	29/28.5kg
Dimension	2279*1134*35(1.5mm Cell Gap) 2256*1134*35 (0.5mm Cell Gap)
Max Load	5400 Pascals
Junction Box	IP68 rated
Connector	MC4 Compatible
Wire Type	PV Wire

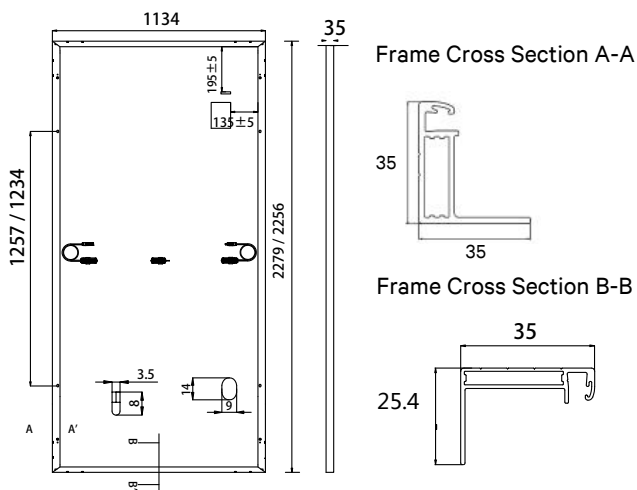
## TEMPERATURE CHARACTERISTICS

Temp. Coeff. of Isc (TK Isc)	0.05% /°C
Temp. Coeff. of Voc (TK Voc)	-0.28% /°C
Temp. Coeff. of Pmax (TK Pmax)	-0.36% /°C

## PACKING MANNER

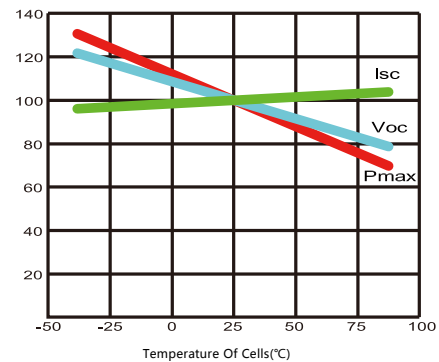
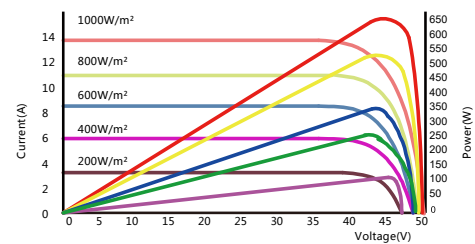
Container	40' HQ
Pieces per Pallet	31
Pieces per Container	620

## PHYSICAL CHARACTERISTICS



## ELECTRICAL CHARACTERISTICS

### JST-EBMH-530W-D



Note: the specifications are obtained under the Standard Test Conditions (STCs): 1000W/m<sup>2</sup> solar irradiance, 1.5 Air Mass, and cell temperature of 25°C. The NOCT is obtained under the Test Conditions: 800W/m<sup>2</sup>, 20°C ambient temperature, 1m/s wind speed, AM 1.5 spectrum.

Please contact support@jusolar.com for technical support. The actual transactions will be subject to the contracts. This parameters is for reference only and it is not a part of the contracts. The specifications are subject to change without prior notice.