

Product Introduction

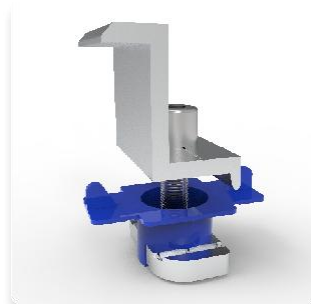
The carbon steel bracket system is suitable for wide horizontal ground. The bracket system is made of hot-dip galvanized carbon steel, so the overall stability of the bracket is strong and the ability to resist wind and snow is strong.



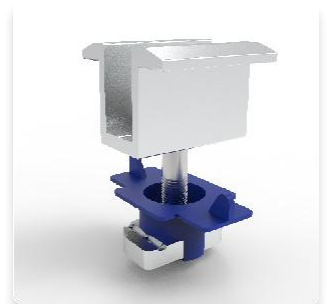
11. Galvanized Steel Ground Mount

Parameter

Wind Load: 52M/S
 Snow Load: : 1.5KN/M2
 Span Range: 0.6-3.2M
 Installation Angle Deviation : $\pm 2^\circ$
 Design Standard:AS/NZS1170, ASCE7-05, DIN1044, GB50797-2012 GB 50017-2003
 BSEN1990:2002 BSEN1991-1-3:2000,BSEN199-1-4:2005
 Installation Site:Cement or Flat Roof
 Main Material:Q235B
 Fastener Material:SUS304/Galvanized Steel
 PV Module:Framed/Unframed
 Module Layout:Portrait/Landscape
 Warranty:10 Years



End Clamp



Mid Clamp



U Steel



Rail



Mounting Beam



Hinge Joints