



### Monocrystalline Photovoltaic Module

# LEPVV 120 ULTRA PREMIUM

## BLACK 400W<sub>p</sub>



### QUALITY



**IBC technology**  
Interdigitated back contact



**N-type cell**  
120 Half-Cut IBC



**Connector MC4**  
Top quality components



**Premium integration**  
Total black



**Long durability**  
90% at the 30th year



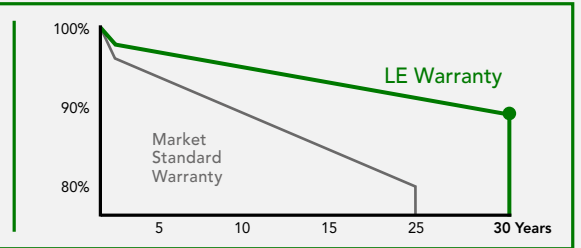
**Efficiency**  
Over 22% efficiency



### WARRANTIES

**20 YEARS PRODUCT WARRANTY**  
+5 years for Premium Partners

**30 YEARS PERFORMANCE WARRANTY**  
Linear Warranty



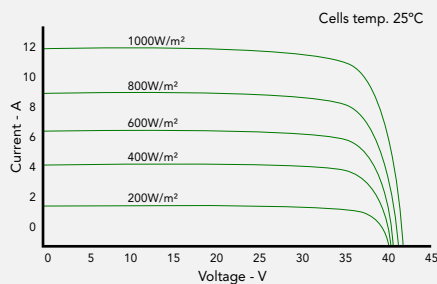
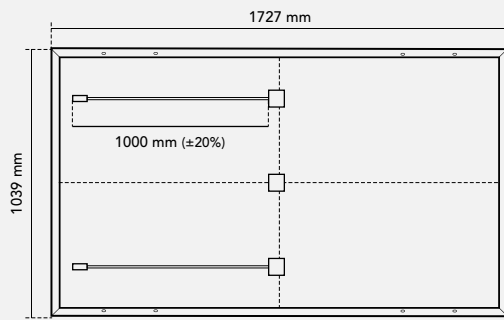
### CERTIFICATES





## TECHNICAL FEATURES

### LEPV 120 ULTRA PREMIUM 400W<sub>p</sub> 2023EN



#### FRAME

Black anodized aluminium

Robust and resistant to corrosion

#### JUNCTION BOX

Sealed, robust and wide for heat dissipation

IP68 according to IEC 60529

Diodes by-pass built-in 3

Connector MC4

Cables 1000 mm (±20%) length and 4 mm<sup>2</sup> section

#### FRONTAL

3,2 mm thick tempered glass with high strength and ARC

Textured, extra-clear with low iron content

Frontal load (snow) 5400 Pa | Back load (wind) 2400 Pa

#### SOLAR CELLS

120 (6x20) N-type cells monocrystalline silicon

#### WEIGHT AND DIMENSIONS

20 Kg | 1727 x 1039 x 30 mm (±1%) | Pack: 949 pcs-truck

## ELECTRIC DATA

BLACK	LEPV 400
<b>STC: 1000 W/m<sup>2</sup>, module temperature 25°C, AM 1,5</b>	
Nominal power. P <sub>max</sub>	400 W <sub>p</sub>
Max. power tolerance. P <sub>max</sub>	0 / +5 W
Area of the module	1,79 m <sup>2</sup>
Module efficiency	22,31 %
I <sub>sc</sub>	12,05 A
V <sub>oc</sub>	42,10 V
I <sub>mp</sub>	11,09 A
V <sub>mp</sub>	36,10 V
<b>NOCT: 800 W/m<sup>2</sup>, ambient temperature 20°C, AM 1,5</b>	
Nominal power. P <sub>max</sub>	306,52 W
I <sub>sc</sub>	9,72 A
V <sub>oc</sub>	40,23 V
I <sub>mp</sub>	8,96 A
V <sub>mp</sub>	34,23 V
<b>Operating parameters. Temperature coefficients</b>	
Maximum voltage	1500 V
Maximum series fuse rating. I <sub>r</sub>	20 A
α I <sub>sc</sub>	0,045 % / °C
β V <sub>oc</sub>	- 0,247 % / °C
γ P <sub>max</sub>	- 0,290 % / °C
Temperature range	- 40°C ~ + 85 °C
NOCT	43 ± 2 °C

NOTE: Read the instruction manual of this product and follow the indications STC. Values are valid for: 1000W/m<sup>2</sup>, AM 1,5 and cells temperature of 25°C. Measurement tolerance +/-3% (AAA Solar simulation -IEC 60.904-9-). All the information of this brochure may be amended without notice by Lina Energy.