

PU565-585SNM101 N-Type

Rated Power 565-585W



N-Type MBB Cell
New circuit design N-type cells, can increase the output power of 10W~20W



Low Light Features
Higher performance under low light environment.



Higher Output Power
Module adopts 144 pcs of 182*182mm half cells, the maximum power can reach 585W.



PID Protection
Ensure the attenuation probability caused by PID phenomenon is minimized.

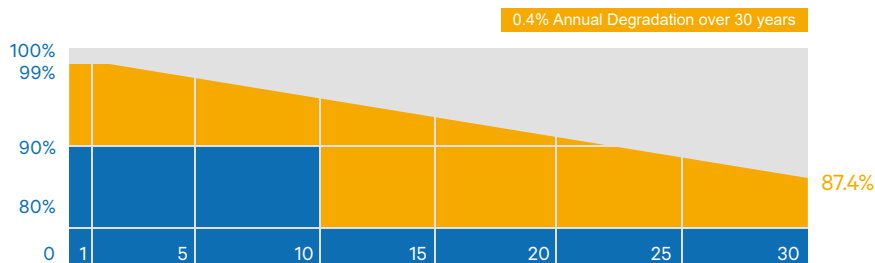


Harsh Environmental Adaptability
Strict salt spray and ammonia corrosion test by TUV Nord.



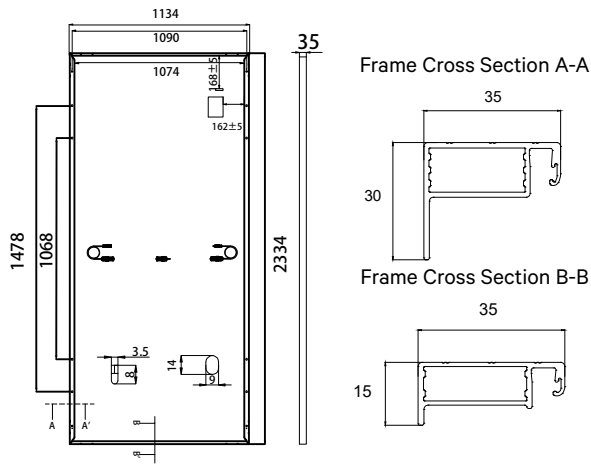
Load Capacity
Mechanical load tests including wind load 2400 Pa and snow load 5400 Pa done by TUV Nord.

■ Pulling Linear Power Warranty ■ Industry Warranty



IEC 61215-2: 2016
IEC 61730-2: 2016

MECHANICAL DIAGRAMS



SPECIFICATIONS

Weight	27.5kg
Dimensions	2334mm*1134mm*35mm
Cell Dimensions	182*182mm
Cell Amount	72*2 pcs
Maximum System Voltage	1500V
Junction Box	IP68
Frame	Aluminum Alloy
Cable	4mm ² , N 300mm/P 300mm or customized length
Connector	MC4 compatible
Application Level	Class A

ELECTRICAL PARAMETERS AT STC

Power	565W	570W	575W	580W	585W
Open Circuit Voltage	51.07V	51.22V	51.36V	51.51V	51.67V
Short Circuit Current	13.85A	13.93A	14.00A	14.08A	14.16A
Maximum Power Voltage	42.42V	42.57V	42.75V	42.90V	43.08V
Maximum Power Current	13.32A	13.39A	13.45A	13.52A	13.58A
Module Efficiency	21.35%	21.54%	21.72%	21.91%	22.10%

* Under Standard Test Conditions (STC) of irradiance of 1000 W/m², spectrum AM 1.5 and cell temperature of 25°C.

ELECTRICAL PARAMETERS AT NMOT

Power	425W	429W	433W	436W	440W
Open Circuit Voltage	48.51V	48.65V	48.79V	48.94V	49.10V
Short Circuit Current	11.11A	11.17A	11.23A	11.30A	11.35A
Maximum Power Voltage	39.87V	39.95V	40.06V	40.26V	40.44V
Maximum Power Current	10.66A	10.74A	10.81A	10.83A	10.88A
Module Efficiency	16.06%	16.21%	16.35%	16.48%	16.62%

* Under Nominal Module Operating Temperature (NMOT), irradiance of 800 W/m², spectrum AM 1.5, ambient temperature 20°C, wind speed 1 m/s.

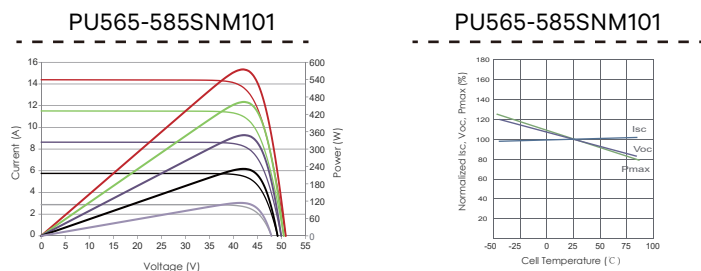
TEMPERATURE CHARACTERISTICS

NMOT	41±3°C	Temp Coefficient of ISC	+0.046%/°C
Temp Coefficient of VOC	-0.25%/°C	Temp Coefficient of Pmax	-0.30%/°C

PACKING CONFIGURATION

Modules/Pallet	31 Pieces	Modules/40'Container	620 Pieces
Packing Description	20 Pallets, Total=(31+31)x10=620 Pieces		

CHARACTERISTICS



MAXIMUM RATING

Output Tolerance	0~+5W
Operating Temperature	-40°C~+85°C
Wind Load/Snow Load	2400pa/5400pa
Fuse Current	25A

15 YEARS Quality Warranty

30 YEARS Power Warranty