

Pitched roof with trapezoidal metal sheet and sandwich panel

4900



[sales.pespa@pespagroup.com](mailto:sales.pespa@pespagroup.com)



Website: [www.pespagroup.com](http://www.pespagroup.com)



Address: Lagjia 14, Shkozet Durres, Albania



Pespa Alumin



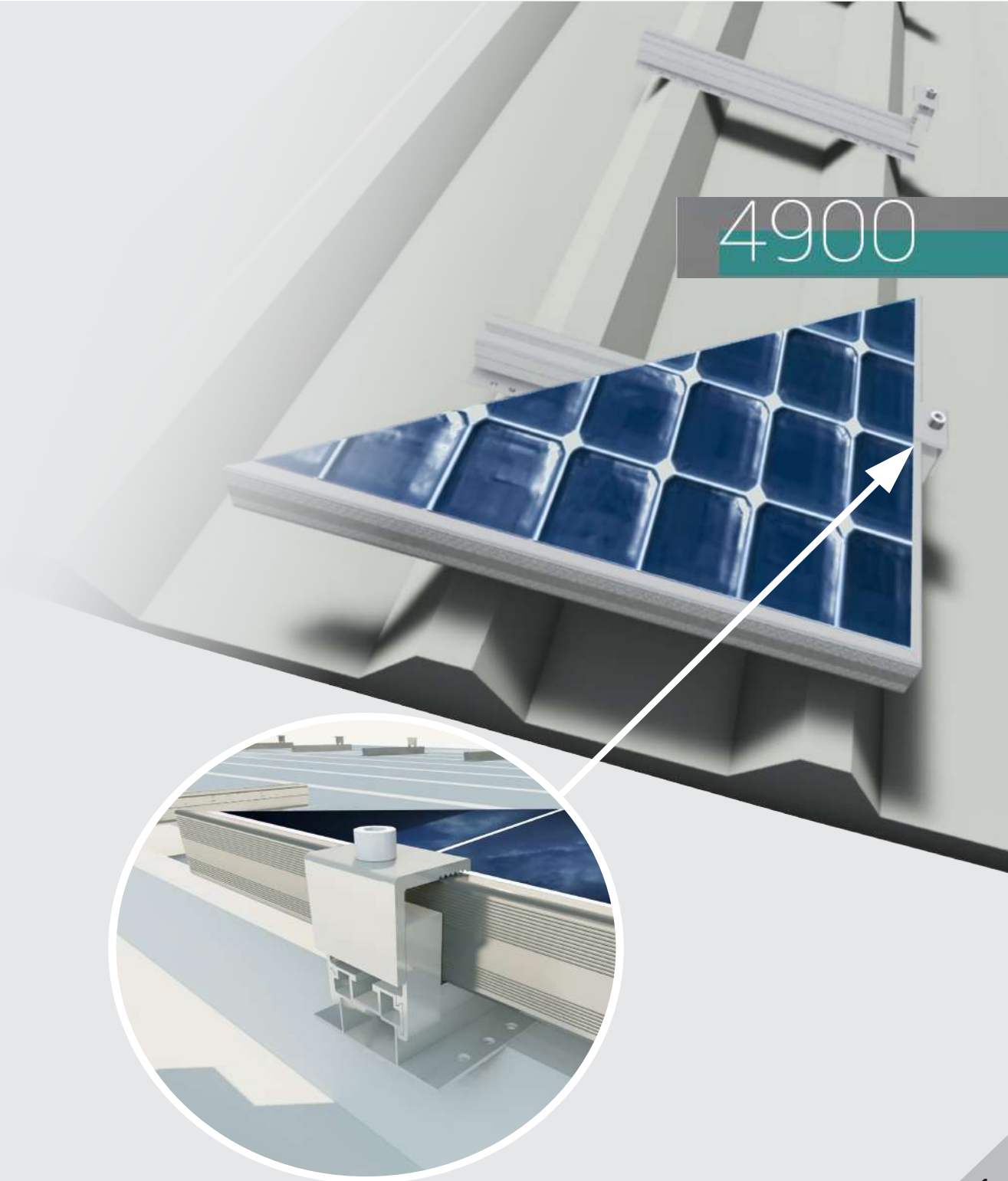
Pespa Alumin

“D-30” Aluminium mounting structures

## PROFILES AND ACCESSORIES FOR ALUMINIUM STRUCTURES OF PHOTOVOLTAIC PANELS FOR ROOFTOP, WITH TRAPEZOIDAL SHEET METAL ROOF OR SANDWICH PANELS

- This standard variant with a customizable "D-30" shaped rail is one of the most sought-after mounting methods for trapezoidal metal sheet or sandwich panel roofing.
- Produced to hold solar panels of various thicknesses and orientations (vertical or horizontal).
- This system is completed with profiles, mid and end clamps, and rubber gaskets.

We provide our customers the chance to design their own products with specific drawings and requirements for profiles and clamps, ventilation space, technical qualities, and to meet required static parameters in addition to not limiting our capacity for manufacturing only this basic standard system.

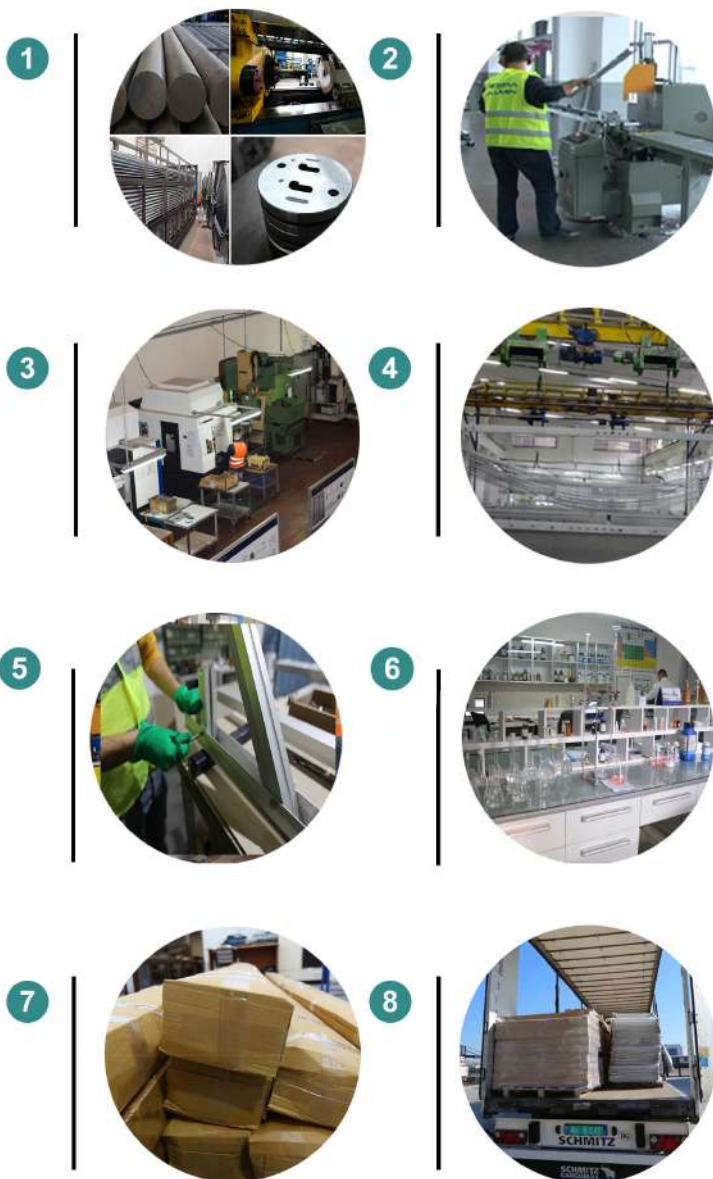


# PRODUCTION CYCLE

## ALUMINIUM SUPPORTING STRUCTURES FOR PHOTOVOLTAIC SYSTEMS

*The production cycle of this product consists in:*

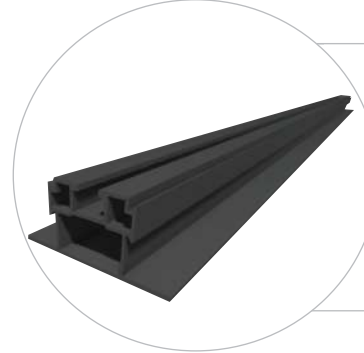
- 1 **Extrusion of profiles-** Aluminum profiles production in extrusion presses
- 2 **Cutting and working center process-** Cutting of aluminium profiles according to the dimensions and designs and processing in working centers.
- 3 **Aluminium accessories manufacturing-** production of the accessories through processes such as milling, drilling, turning, threading and adjusting.
- 4 **Anodizing of aluminum profiles and accessories-** surface treatment with anodizing
- 5 **Assembling-** Assembly of modules and kits to be installed as per customised design
- 6 **Quality Control**
- 7 **Packaging and storage**
- 8 **Transport**





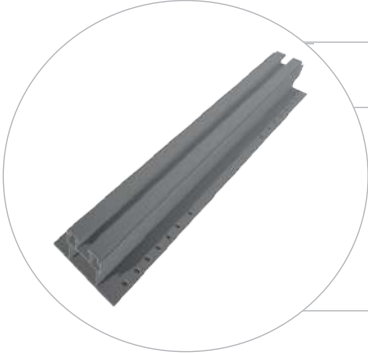
**4900-PEGA-MBA-4291**

Aluminium solar mounting rectangular profile 70×30 mm, 6.05 LM standard length for pitched roof with trapezoidal sheet and sandwich panel roofing



**4900-PEGA-MZI-4291**

Aluminium solar mounting rectangular profile 70×30 mm, 6.05 LM standard length for pitched roof with trapezoidal sheet and sandwich panel roofing



**4900-PEGA-MBA-4291/375**

Aluminium solar mounting D rectangular profile 70×30 mm, with cutting 375 mm length with 28 drilling diameter 5 mm for pitched roof with trapezoidal sheet and sandwich panel roofing



**4900-PEGA-MZI-4291/375**

Aluminium solar mounting D rectangular profile 70×30 mm, with cutting 375 mm length with 28 drilling diameter 5 mm for pitched roof with trapezoidal sheet and sandwich panel roofing



**4900-PEGA-MBA-4291/375/A**

Aluminium solar mounting rectangular profile 70×30 mm, with cutting 375 mm length with 28 drilling diameter 5 mm, with EPDM Rubber gasket 70×375 mm, for pitched roof with trapezoidal sheet and sandwich panel roofing



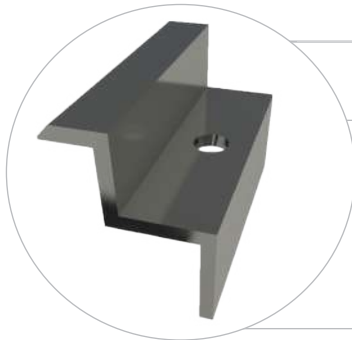
**4900-PEGA-MZI-4291/375A**

Aluminium solar mounting rectangular profile 70×30 mm, with cutting 375 mm length with 28 drilling diameter 5 mm, with EPDM Rubber gasket 70×375 mm, for pitched roof with trapezoidal sheet and sandwich panel roofing

**Note: Various profiles lengths can be made according to the order.**

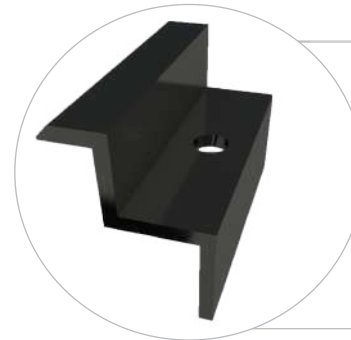
## Technical additional information

- ◆ System of aluminium and profiles: For trapezoidal sheet metal roof or sandwich panel
- ◆ Raw material: Primary aluminium alloy 6060/6063 - **Provided in: Mill finished, natural anodized and black anodized**
- ◆ Fixing type: Mounting with screws on the trapezoidal sheet or sandwich panel



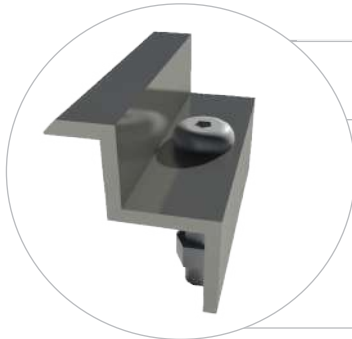
4900-PEGA-MBA-2673/60

Aluminium end clamp for solar panel fixing 60 mm length, available for various panel thickness



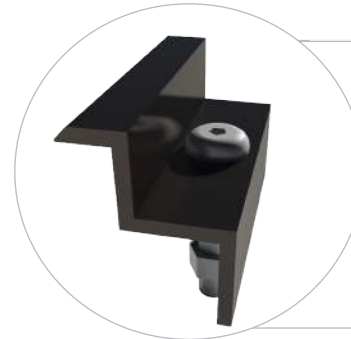
4900-PEGA-MZI-2673/60

Black aluminium end clamp for solar panel fixing 60 mm length, available for various panel thickness



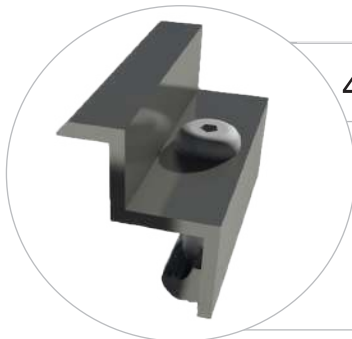
4900-PEGA-MBA-2673-60/V

Aluminium end clamp 60 mm length, available for various panel thickness, with stainless steel M8 bolt and nut



4900-PEGA-MZI-2673-60/V

Black aluminium end clamp 60 mm length, available for various panel thickness, with stainless steel M8 bolt and nut



4900-PEGA-MBA-2673-60-V+PSR68

Aluminium end clamp 60 mm length available for various panel thickness with slot nut

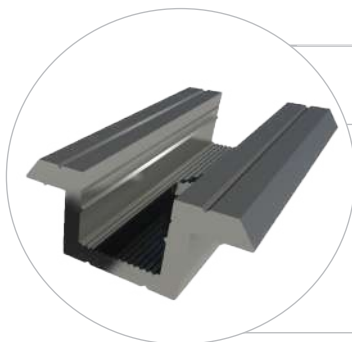


4900-PEGA-MZI-2673-60-V+PSR68

Black aluminium end clamp 60 mm length available for various panel thickness with slot nut

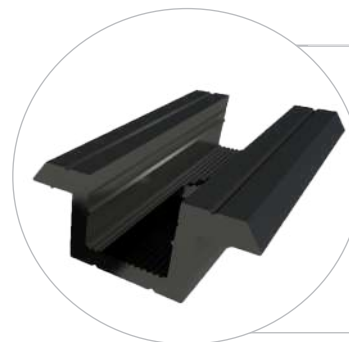
## Technical additional information

- ◆ System of aluminium and profiles: For trapezoidal sheet metal roof or sandwich panel
- ◆ Raw material: Primary aluminium alloy 6060/6063-**Provided in: Mill finished, natural anodized and black anodized surface**
- ◆ Fixing type: Mounting with screws on the trapezoidal sheet or sandwich panel



4900-PEGA-MBA-2679/60

Aluminium mid clamp for solar panel fixing 60 mm length, available for various panel thickness



4900-PEGA-MZI-2679/60

Black aluminium mid clamp for solar panel fixing 60 mm length, available for various panel thickness



4900-PEGA-MBA-2679-60/V

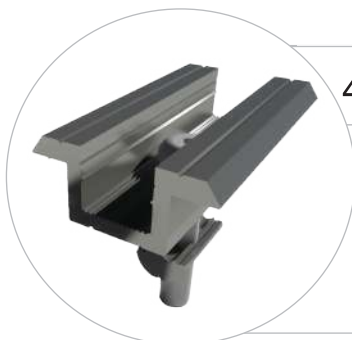
Aluminium mid clamp 60 mm length, available for various panel thickness, with stainless steel M8 bolt and nut



4900-PEGA-MZI-2679-60/V

Black aluminium mid clamp 60 mm length, available for various panel thickness, with stainless steel M8 bolt and nut

**CUSTOM- MADE LENGTHS ARE AVAILABLE BASING ON PANEL MODULE HEIGHT**



4900-PEGA-MBA-2679-60-V+PSR68

Aluminium mid clamp 60 mm length available for various panel thickness with slot nut

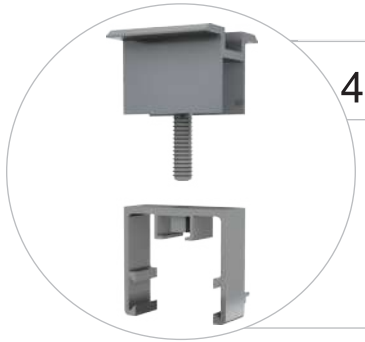


4900-PEGA-MZI-2679-60-V+PSR68

Black aluminium mid clamp 60 mm length available for various panel thickness with slot nut

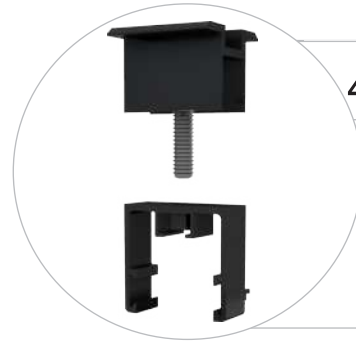
## Technical additional information

- ◆ System of aluminium and profiles: For trapezoidal sheet metal roof or sandwich panel
- ◆ Raw material: Primary aluminium alloy 6060/6063-**Provided in: Mill finished, natural anodized and black anodized surface**
- ◆ Fixing type: Mounting with screws on the trapezoidal sheet or sandwich panel



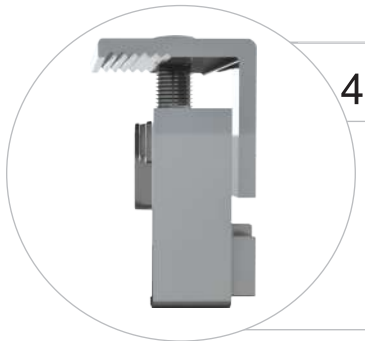
4900-PEGA-MBA-4337/16+4282/40

Universal aluminium solar mid clamp with sliding channels for solar panel fixing, adjustable for various panel thickness



4900-PEGA-MZI-4337/16+4282/40

Black universal aluminium solar mid clamp with sliding channels for solar panel fixing, adjustable for various panel thickness



4900-PEGA-MBA-4337/16+4281/40

Universal aluminium solar end clamp with sliding channels for solar panel fixing, adjustable for various panel thickness



4900-PEGA-MZI-4337/16+4281/40

Black universal aluminium solar end clamp with sliding channels for solar panel fixing, adjustable for various panel thickness

### Technical additional information

- ◆ System of aluminium and profiles: For trapezoidal sheet metal roof or sandwich panel
- ◆ Raw material: Primary aluminium alloy 6060/6063-**Provided in: Mill finished, natural anodized and black anodized surface**
- ◆ Fixing type: Mounting with screws on the trapezoidal sheet or sandwich panel

**Our activity, services and products are certified for:**

- ✓ Design, production and trade of aluminium shapes and accessories for civil and industrial applications. ventilated facades systems, handrails, shutters, fences, sunbreakers and components of interior and exterior furnishings systems
- ✓ Design, production and trade of aluminium structures for solar panels.
- ✓ Design, production and trade of precast aluminium structures for the construction of civil and industrial accommodation modules and relative assembly.

**QUALANOD LICENCE FOR ARCHITECTURE ANODISING**

*PESPA ALUMIN is authorized to use the quality sign, according to the regulations for the use of the quality label for ARCHITECTURAL ANODIZING*



**QUALANOD LICENCE FOR INDUSTRIAL ANODISING**

*PESPA ALUMIN is authorized to use the quality sign, according to the regulations for the use of the quality label for INDUSTRIAL ANODIZING.*



**ISO 14001:2015 - ENVIRONMENTAL MANAGEMENT SYSTEM**

*Pespa Alumin has implemented and maintains an environmental system which fullfills the requirements of the standard in all the operative units.*



**ISO 45001:2018 - HEALTH AND SAFETY MANAGEMENT SYSTEM**

*Pespa Alumin has implemented and maintains in compliance with the standard for its activity.*



**ISO 9001:2015 - QUALITY MANAGEMENT SYSTEM**

*Pespa Alumin is a certified organisation which fullfills the requirements of the standard.*

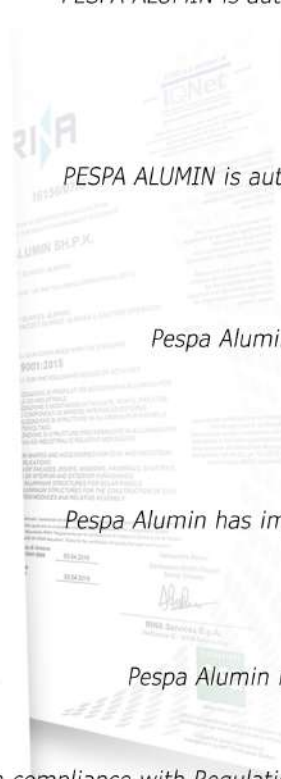


**CE EN 1090-1:2009+A1:2011**

*In compliance with Regulation (EU) No. 305/2011 of the European Parliament this certificate applies to the construction product: Structural components and kits for aluminium structures*



**STANDARD EN 1090-1 / EN 1090-3 CERTIFICATE: WELDED ALUMINIUM COMPONENTS FOR STRUCTURAL WORKS**  
 Standard - technical requirements - EN 1090-1 / EN 1090-3 Execution class(es) - EXC1; EXC2; EXC3; EXC4 Method(s) CE marking - 2; 3a; 3b Welding process(es) - 131; 141 EN ISO 4063 Parent material(s) - Groups: 23.1 ISO/TR 15608





4900

**PESP** LUMIN



sales.pespa@pespagroup.com



Website: [www.pespagroup.com](http://www.pespagroup.com)



Address: Lagjia 14, Shkozet Durres, Albania



Pespa Alumin



Pespa Alumin