



Monocrystalline Photovoltaic Module

LEPVV 108 HALF-CUT ICON

BLACK - STANDARD - BICOLOUR

400/410/415/420 Wp

QUALITY »



M10 Wafer
Ultra-high power



Efficiency
415Wp - 420Wp



Long durability
80% at the 30th year



Fire resistance
Maximum protection



Avoid losses
Better shading tolerance



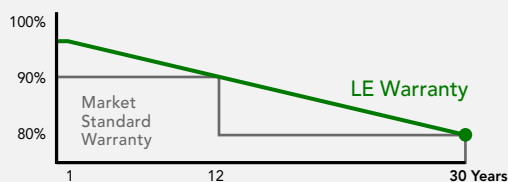
Load endurance
Front load / Back load



WARRANTIES

20 YEARS PRODUCT WARRANTY
+5 years for Premium Partners

30 YEARS PERFORMANCE WARRANTY
Linear Warranty



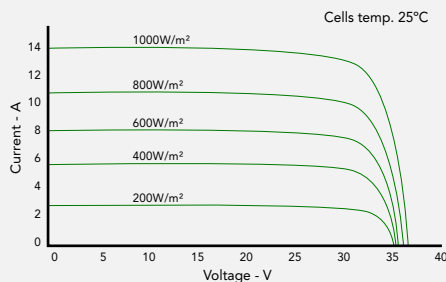
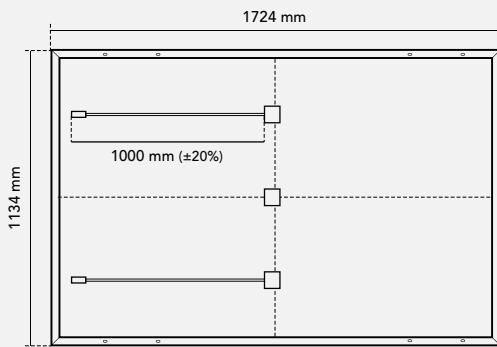
CERTIFICATES





TECHNICAL FEATURES

LEPV 108 HALF-CUT ICON 400Wp - 420Wp



FRAME

Black / Silver anodized aluminium

Robust and resistant to corrosion

JUNCTION BOX

Sealed, robust and wide for heat dissipation

IP67/IP68 according to IEC 60529

Diodes by-pass built-in 3

Connector MC4 compatible

Cables 1000 mm (±20%) length and 4 mm² section

FRONTAL

3,2 mm thick tempered glass with high strength and ARC

Textured, extra-clear with low iron content

Frontal load (snow) 5400 Pa | Back load (wind) 2400 Pa

SOLAR CELLS

108 [2x (9x6)] cells monocrystalline silicon

WEIGHT AND DIMENSIONS

21,5 Kg | 1724 x 1134 x 30 mm (±1%) | Pack: 962/936 pcs-truck

ELECTRIC DATA

BLACK - STANDARD - BICOLOUR	LEPV 400	LEPV 410	LEPV 415	LEPV 420 STANDARD ONLY
STC: 1000 W/m², module temperature 25°C, AM 1,5				
Nominal power. Pmax	400 Wp	410 Wp	415 Wp	420 Wp
Max. power tolerance. Pmax	0 / +5 W	0 / +5 W	0 / +5 W	0 / +5 W
Area of the module	1,96 m ²			
Module efficiency	20,46 %	20,98 %	21,23 %	21,49 %
Isc	13,79 A	13,95 A	14,02 A	14,10 A
Voc	37,07 V	37,32 V	37,45 V	37,57 V
Imp	12,90 A	13,04 A	13,13 A	13,21 A
Vmp	31,01 V	31,45 V	31,61 V	31,81 V
NOCT: 800 W/m², ambient temperature 20°C, AM 1,5				
Nominal power. Pmax	301,72 W	309,48 W	313,23 W	317,20 W
Isc	11,13 A	11,26 A	11,31 A	11,38 A
Voc	35,02 V	35,26 V	35,38 V	35,50 V
Imp	10,42 A	10,53 A	10,60 A	10,67 A
Vmp	28,96 V	29,39 V	29,54 V	29,74 V
Operating parameters. Temperature coefficients				
Maximum voltage	1000 - 1500 V			
Maximum series fuse rating. Ir	25 A			
α Isc	0,044 % / °C			
β Voc	- 0,276 % / °C			
γ Pmax	- 0,35 % / °C			
Temperature range	- 40°C ~ + 85 °C			
NOCT	45 ± 2 °C			

NOTE: Read the instruction manual of this product and follow the indications STC. Values are valid for: 1000W/m², AM 1,5 and cells temperature of 25°C. Measurement tolerance +/-3% (AAA Solar simulation -IEC 60.904-9-). All the information of this brochure may be amended without notice by Lina Energy.