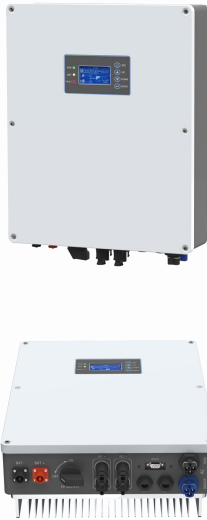


SunMax 3K48 - 5K48-V

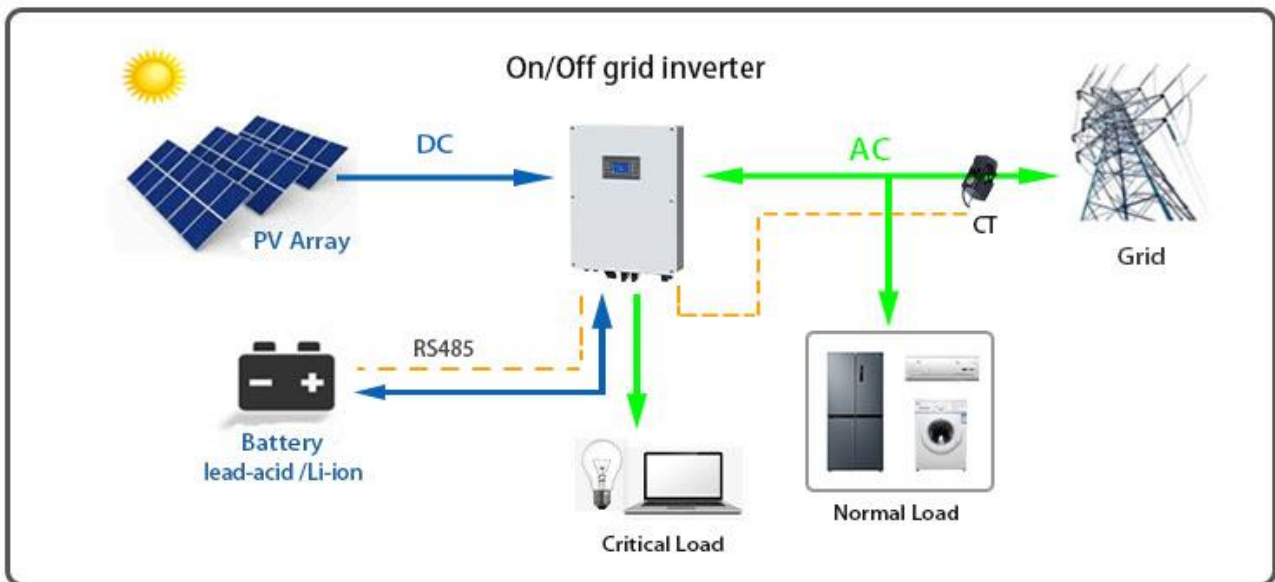
Single-phase On/Off-grid Hybrid Solar inverter with IP65



Product Feature:

- ▶ Capable to Operate without Battery
- ▶ Programmable multiple operation modes: Grid-tied, off-grid and grid-tied with zero-export
- ▶ Capable to save money by sensing load consumption using the external CT sensor and balance it continuously
- ▶ Programmable supply priority for PV, Grid or Battery
- ▶ User-adjustable charging/discharging current or acquire from BMS by RS-485, suits for different types of lead-acid or lithium batteries
- ▶ Multiple Safety protection Functions: PV Insulation Resistance Detection, Residual Current Monitoring, Anti-islanding Protection, etc.

System diagram:



Technical Data:

MODEL	SunMax 3K48-V	SunMax 5K48-V
PV Array		
Max. PV Array Power	4000W	6000W
Max. PV Array Open-Circuit Voltage	500VDC	
Start-up Voltage	100VDC	
MPPT Operating Voltage Range	120-450VDC	
Nominal Input Voltage	360VDC	
Max. Input Current MPPT	20A	30A
Max. Short Circuit Current MPPT	22A	33A
Number of MPPT	1	1

MODEL	SunMax 3K48-V	SunMax 5K48-V
Battery		
Battery Type	lead-acid /Li-ion	
Nominal Battery Voltage	48V	
Battery Voltage Range	41-58V	
Max. AC Charging Current	30A	50A
Max. PV Charging Current	60A	100A
Max. Continuous Charging Current	60A	100A
Max. Continuous Discharging Current	60A	100A
On-grid Operation		
Rated Outout power	3300W	5500W
Max. AC Current Output to Utility Grid	15.2A	23.9A
Nominal Output Voltage	220/230/240Vac	
Nominal AC Grid Frequency	50/60Hz	
Power Factor	~1 (Adjustable from 0.8 leading to 0.8 lagging)	
Max. Total Harmonic Distortion	<3%	
Off-gridOperation		
Nominal Apparent Power	3500VA	5500VA
Max. Output Apparent Power	4200VA	6600VA
Max. Output Voltage	220/230/240Vac	
Max. Output Current	15.2A	23.9A
Nominal Output Fregency	50/60Hz	
Transfer Time	< 10ms	
Efficiency		
Max. PV to ACEfficiency	97.1%	97.1%
Max. Battery to AC Efficiency	93.0%	93.0%
Protection		
PV Insulation Resistance Detection	Yes	
Residual Current Monitoring	Yes	
Anti-islanding Protection	Yes	
AC Overcurrent/OvervoltageProtection	Yes	
Surge Protection	II	
Zero-export Control	Yes	
Operation without Battery	Yes	
General Data		
Operating Temperature Range	-10--50°C	
Relative Humidity	0~95%	
Max. Operating Altitude	<4000m	
Cooling Method	Intelligent Fan cooling	
Display	LED+LCD	
Communication with BMS	RS485	
Communication with Cloud	WiFi/4G	
Degree of Protection	IP65	
Weight (kg)	18	18
Dimension (W*H*Dmm)	430*360*147	
Mounting Method	Wall Mounted	