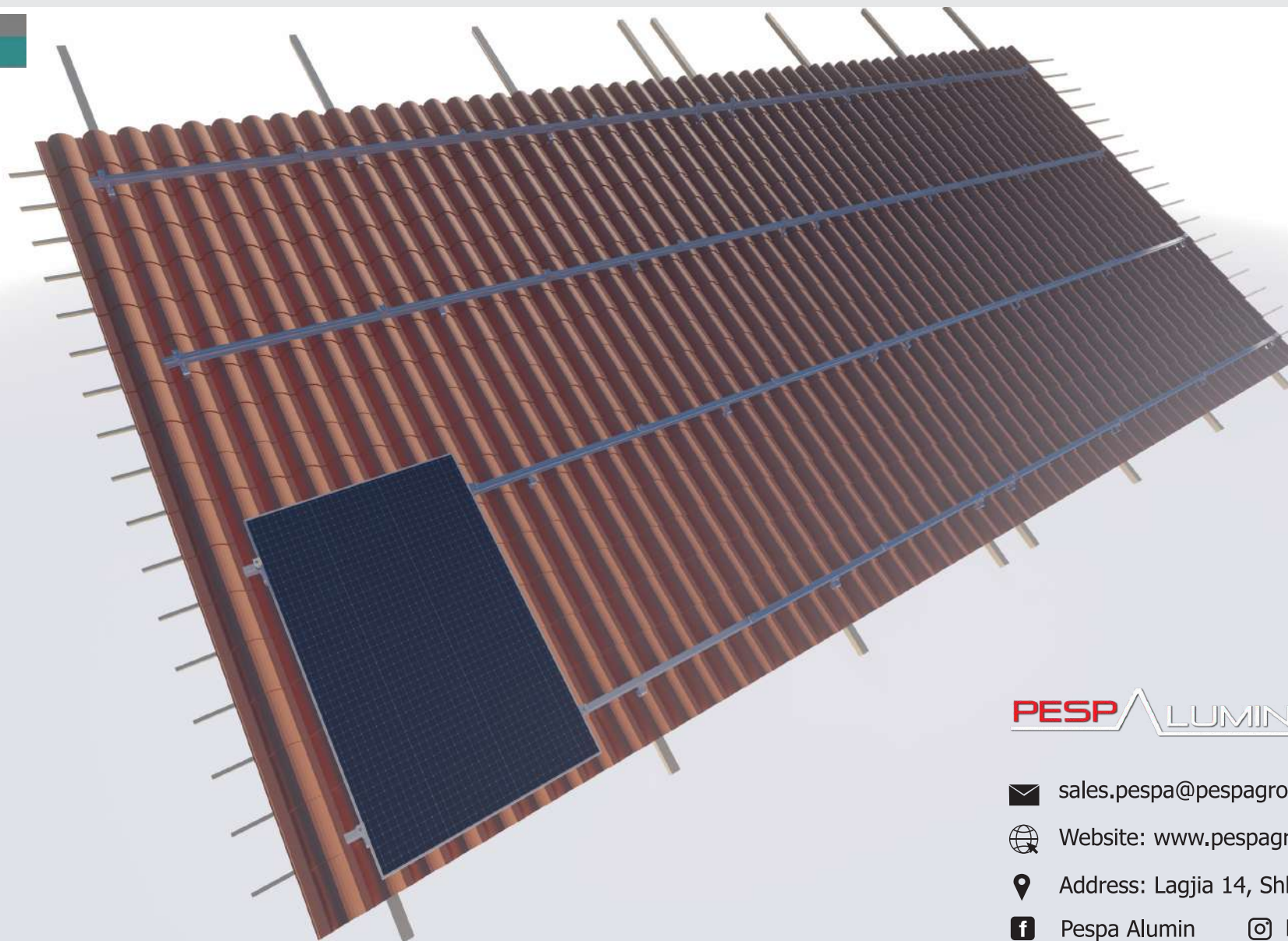


# PV TILE ROOF MOUNTING SYSTEM

## Aluminium supporting structures for solar panels

4900



**PESP** LUMIN

✉ sales.pespa@pespagroup.com

🌐 Website: [www.pespagroup.com](http://www.pespagroup.com)

📍 Address: Lagjia 14, Shkozë, Durrës, Albania

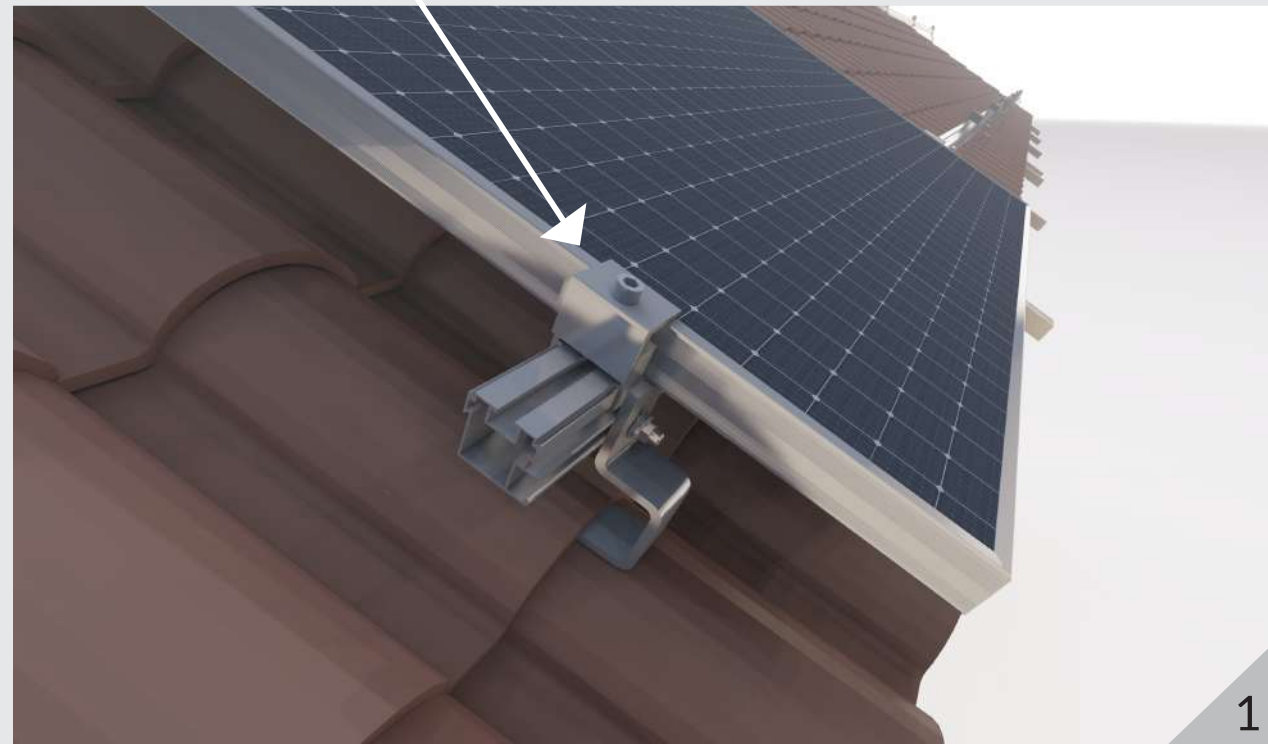
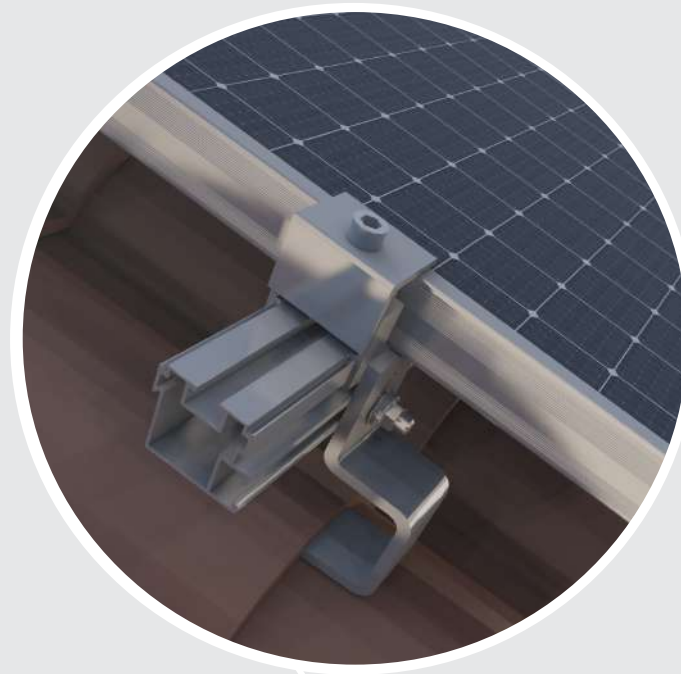
📘 Pespa Alumin    📷 Pespa Alumin

# PV TILE ROOF MOUNTING SYSTEM

## Aluminium supporting structures for solar panels

- The tile roof system offers a very stable and convenient mounting method is widely used for residential buildings.
- Suitable for various thickness and landscape or portrait alignment of solar modules.
- The tile roof hook is made out of aluminum and galvanized steel of different thickness in order to support different snow loads.
- The system also comes completed with mid and end clamps and relevant profiles.

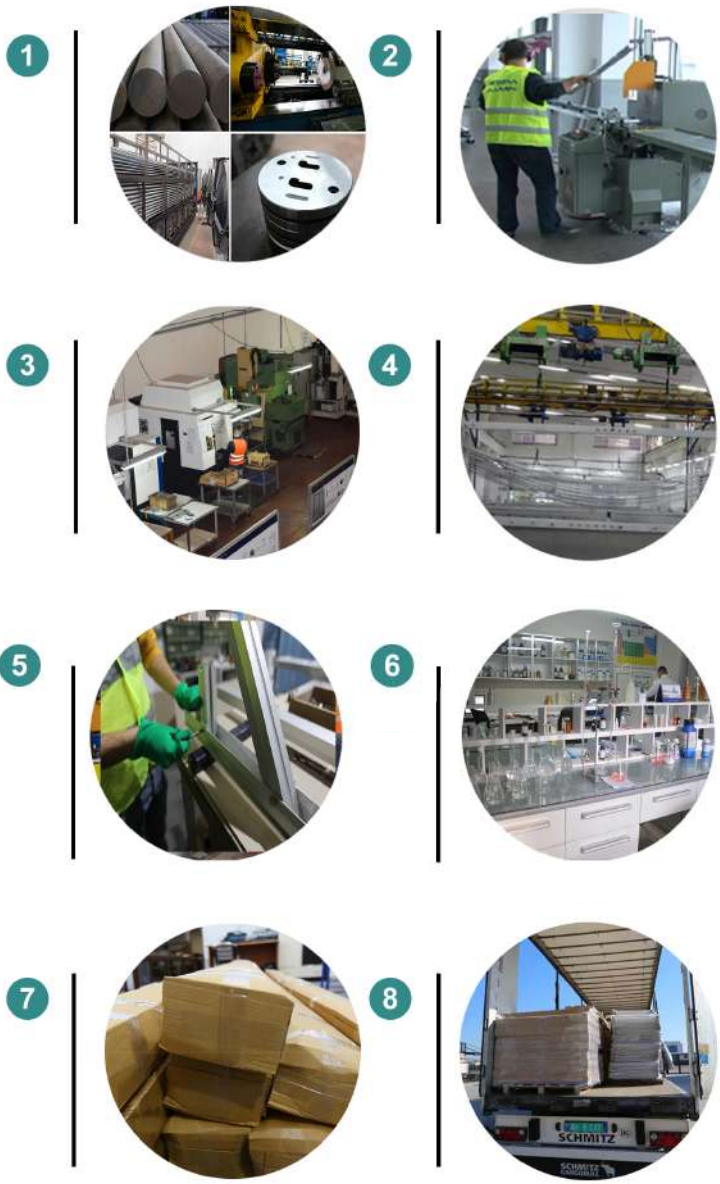
Our manufacturing capacity is not only limited producing this standard solar structure for pitched roof but also gives the customer freedom to customize its own product including their specific drawings and requests regarding profiles and clamps, aluminum tile roof hooks or steel tile roof hook, needed ventilation, technical properties and to reach needed static requirements.



# PRODUCTION CYCLE

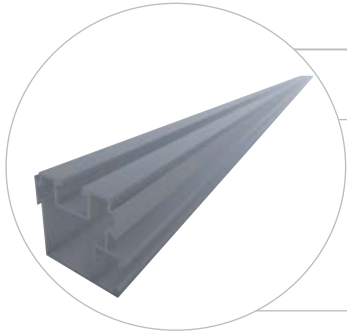
## ALUMINIUM SUPPORTING STRUCTURES FOR PHOTOVOLTAIC SYSTEMS

*The production cycle of this product consists in:*



- 1 **Extrusion of profiles-** Aluminum profiles production in extrusion presses
- 2 **Cutting and working center process-** Cutting of aluminium profiles according to the dimensions and designs and processing in working centers.
- 3 **Aluminium accessories manufacturing-** production of the accessories through processes such as milling, drilling, turning, threading and adjusting.
- 4 **Anodizing of aluminum profiles and accessories-** surface treatment with anodizing
- 5 **Assembling-** Assembly of modules and kits to be installed as per customised design
- 6 **Quality Control**
- 7 **Packaging and storage**
- 8 **Transport**





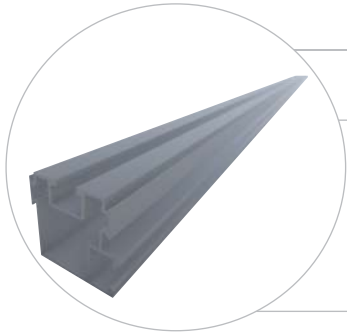
4900-PEGA-4269-4260

Aluminium universal sliding profile 42x40mm with cutting 4260 mm length, without drillings, for tile roof mounting structure



4900-PEGA-4269-4260

Aluminium universal sliding profile 42x40mm with cutting 4260 mm length, without drillings, for tile roof mounting structure



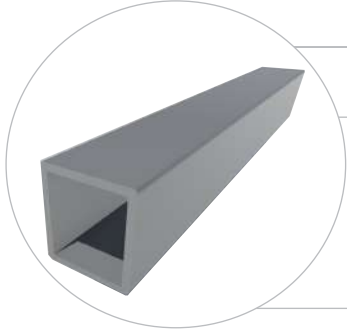
4900-PEGA-4269

Aluminium universal sliding profile 42x40mm 6 LM length, without drillings, for tile roof mounting structure



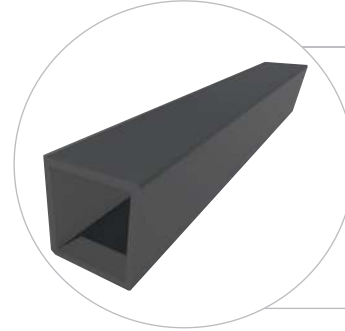
4900-PEGA-4269

Aluminium universal sliding profile 42x40mm 6 LM length, without drillings, for tile roof mounting structure



4900-PEGA-4340-195

Aluminium universal adapter profile 25x27 mm with cutting 195 mm length, for tile roof mounting structure

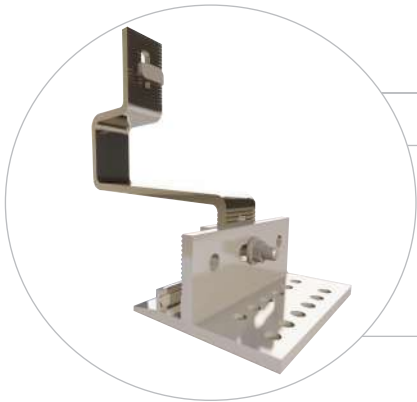


4900-PEGA-4340-195

Aluminium universal adapter profile 25x27 mm with cutting 195 mm length, for tile roof mounting structure

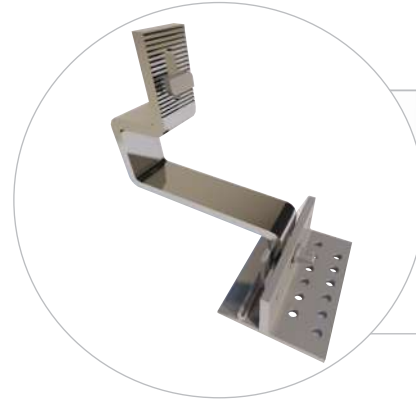
### Technical additional information

- ◆ System of aluminium and profiles: PV tile roof mounting system
- ◆ Raw material: Primary aluminium alloy 6060/6063 - **Provided in: mill finished, natural anodized and black anodized.**
- ◆ Fixing type: On tile roof mounting



4900-PEGA-4312/113+CE-156/35

Tile roof support with aluminium cutting base 113mm + steel part 6mm thickness



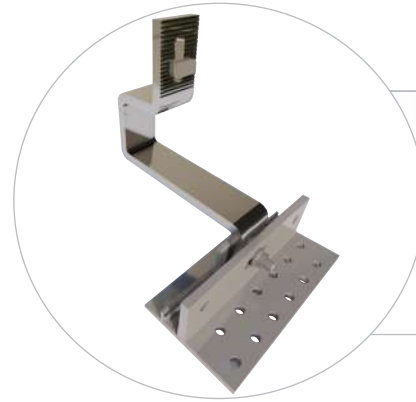
4900-PEGA-4312/113+CE-158/35

Tile roof support with aluminium cutting base 113mm + steel part 8mm thickness



4900-PEGA-4312/160+CE-156/35

Tile roof support with aluminium cutting base 160mm + steel part 6mm thickness

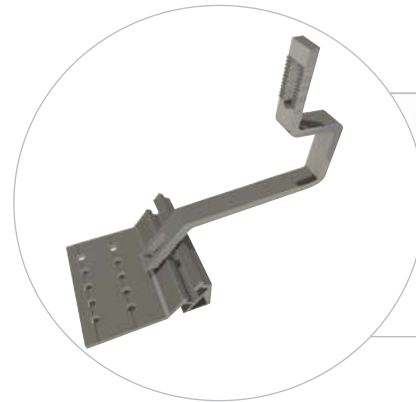


4900-PEGA-4312/160+CE-158/35

Tile roof support with aluminium cutting base 160mm + steel part 8mm thickness

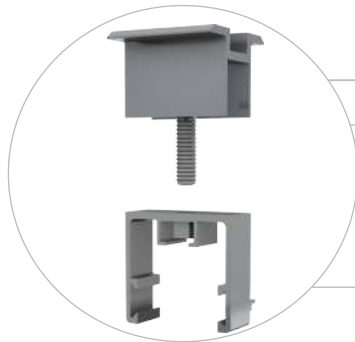
### Technical additional information

- ◆ System of aluminium and profiles: Pv tile roof mounting system
- ◆ Raw material: Primary aluminium alloy 6060/6063,  
Provided in: mill finished, natural anodized
- ◆ Fixing type: On tile roof mounting



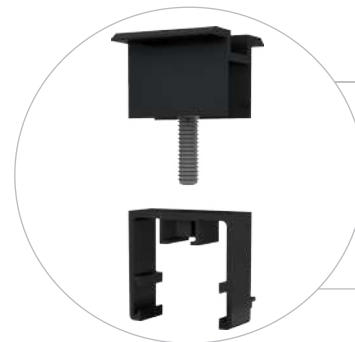
4900-PEGA-4274-93+4275-35

Tile roof support with aluminium cutting base 93mm + Aluminium part 7mm thickness and 35mm cutting



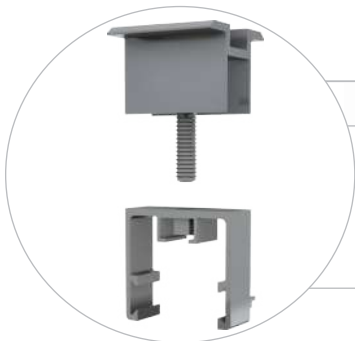
4900-PEGA-MBA-4337/16+4282/40

Mid accessory with two sliding channels for solar panels fixing - Natural anodized



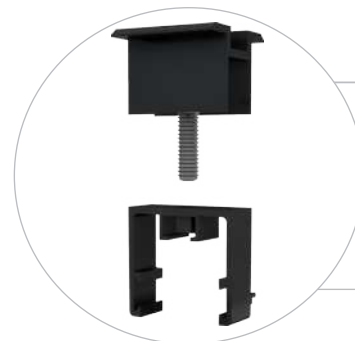
4900-PEGA-MZI-4337/16+4282/40

Mid accessory with two sliding channels for solar panels fixing - Black anodized



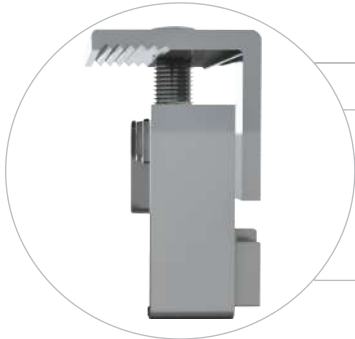
4900-PEGA-MBA-4339/16+4282/40

Mid accessory with one sliding channel - Natural anodized



4900-PEGA-MZI-4339/16+4282/40

Mid accessory with one sliding channel - Black anodized



4900-PEGA-MBA-4337/16+4281/40

End accessory with two sliding channels for solar panels fixing - Natural anodized



4900-PEGA-MZI-4337/16+4281/40

End accessory with two sliding channels for solar panels fixing - Black anodized

### Technical additional information

- ◆ System of aluminium and profiles: PV tile roof mounting system
- ◆ Raw material: Primary aluminium alloy 6060/6063 - **Provided in: mill finished, natural anodized and black anodized.**
- ◆ Fixing type: On tile roof mounting

**Our activity, services and products are certified for:**

- ✓ Design, production and trade of aluminium shapes and accessories for civil and industrial applications. ventilated facades systems, handrails, shutters, fences, sunbreakers and components of interior and exterior furnishings systems
- ✓ Design, production and trade of aluminium structures for solar panels.
- ✓ Design, production and trade of precast aluminium structures for the construction of civil and industrial accommodation modules and relative assembly.

**QUALANOD LICENCE FOR ARCHITECTURE ANODISING**

PESPA ALUMIN is authorized to use the quality sign, according to the regulations for the use of the quality label for ARCHITECTURAL ANODIZING



**QUALANOD LICENCE FOR INDUSTRIAL ANODISING**

PESPA ALUMIN is authorized to use the quality sign, according to the regulations for the use of the quality label for INDUSTRIAL ANODIZING.



**ISO 14001:2015 - ENVIRONMENTAL MANAGEMENT SYSTEM**

Pespa Alumin has implemented and maintains an environmental system which fulfills the requirements of the standard in all the operative units.



**ISO 45001:2018 - HEALTH AND SAFETY MANAGEMENT SYSTEM**

Pespa Alumin has implemented and maintains in compliance with the standard for its activity.



**ISO 9001:2015 - QUALITY MANAGEMENT SYSTEM**

Pespa Alumin is a certified organisation which fulfills the requirements of the standard.



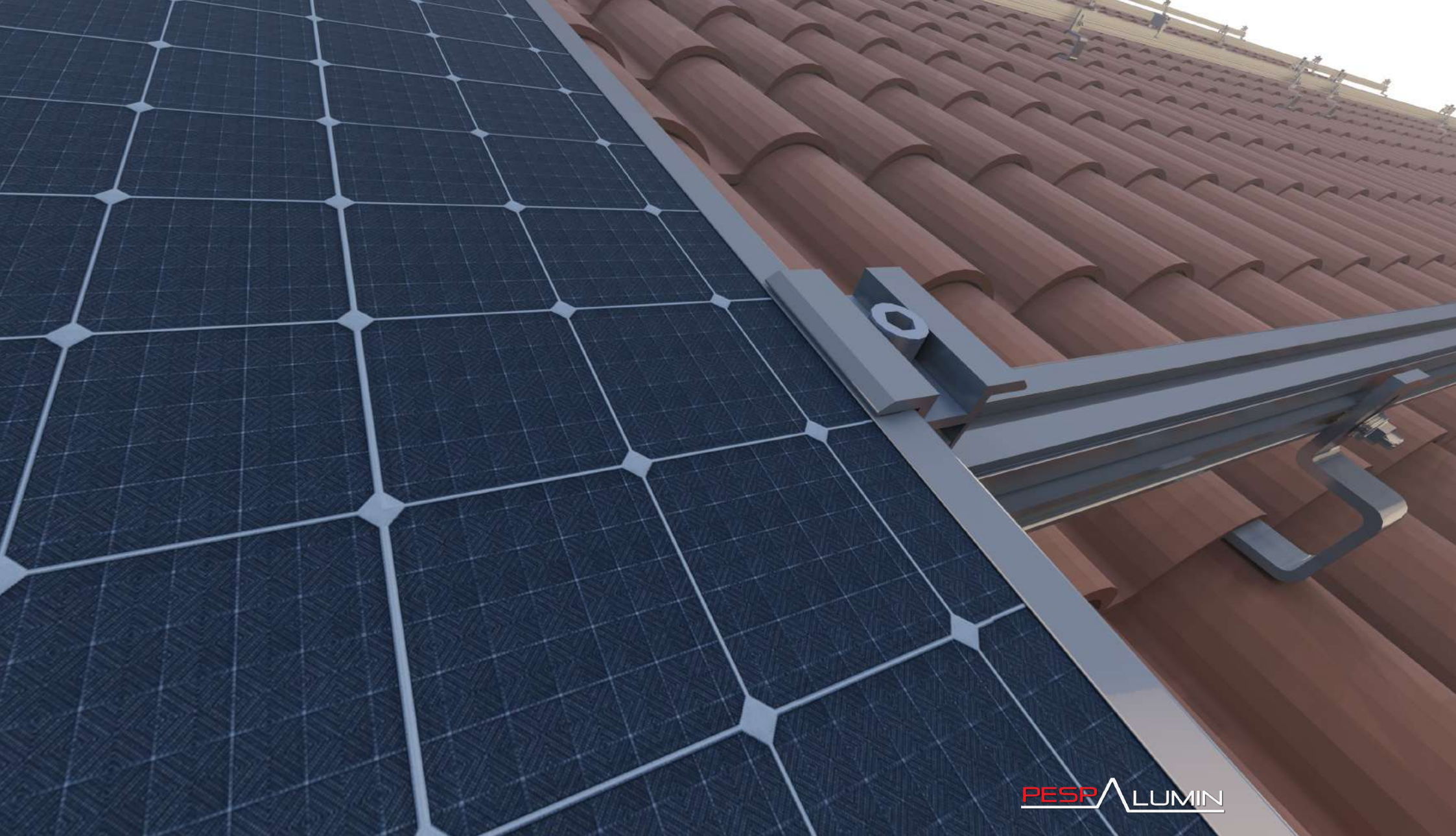
**CE EN 1090-1:2009+A1:2011**

In compliance with Regulation (EU) No. 305/2011 of the European Parliament this certificate applies to the construction product: Structural components and kits for aluminium structures



**STANDARD EN 1090-1 / EN 1090-3 CERTIFICATE: WELDED ALUMINIUM COMPONENTS FOR STRUCTURAL WORKS**  
 Standard – technical requirements - EN 1090-1 / EN 1090-3 Execution class(es) - EXC1; EXC2; EXC3; EXC4 Method(s) CE marking – 2; 3a; 3b Welding process(es) - 131; 141 EN ISO 4063 Parent material(s) - Groups: 23.1 ISO/TR 15608





**PESPA** LUMIN

✉ sales.pespa@pespagroup.com

🌐 Website: [www.pespagroup.com](http://www.pespagroup.com)

📍 Address: Lagjia 14, Shkozet, Durrës, Albania

📘 Pespa Alumin    📷 Pespa Alumin