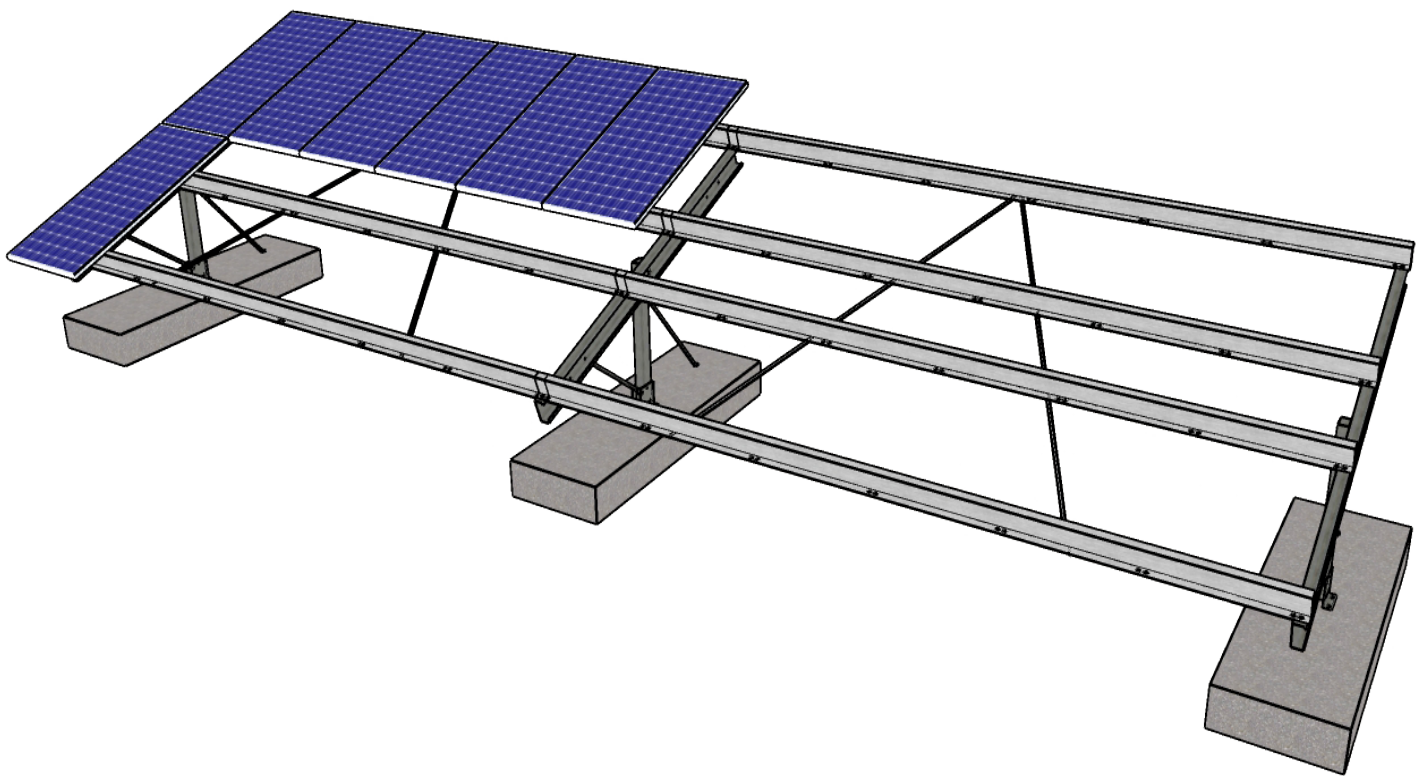


25 YEAR
WARRANTY

Ballasted Solar Mounts - Simple & Efficient

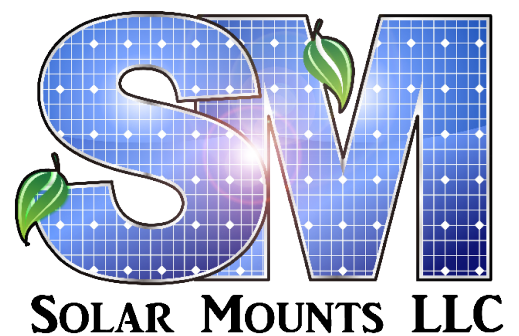
Utility scale ballasted racking with reduced components and minimal installation time. Over a decade of proven reliability and a 25 year warranty to serve the lifetime of your solar array.



The features of our BALLASTED MOUNTS

Featuring fewest components and hardware connections in the market with high flexibility for rough & variable terrain. The panel attachments feature UL 2703 & 467 grounding top-clamps and can sustain up to 150 MPH windload & 60 PSF snow load

Call for immediate estimates & layout design assistance from one of our professional sales team.



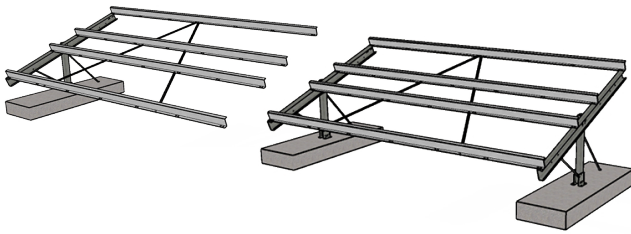
1-844-757-7225

www.SolarMounts.com
300 Woolley | Marshall | MI 49068
info@solargroundmounts.com

TECHNICAL INFORMATION

Add Section

Start Section

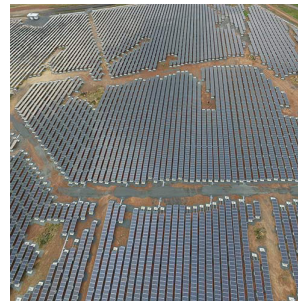


Features and benefits

- 3 Components & Minimal Hardware
- Pre-Punched tilt angles in truss
- UL 467 & 2703 grounding clamps
- Slide in purlins for ease of installation
- Minimal lead times on manufacturing
- PE Stamped drawing provided
- Accommodates difficult terrain

Technical characteristics

Application	Open Field Layout
Foundation	Concrete ballast of Existing structural Concrete
Modules	Portrait - 1 or 2 high
Orientation	
Module Compatibility	All brands - 60, 72, & 96 Cell
Tilt Angles	20° 25° 30° & 35° Standard
Ground Clearance	2' Standard, 36" - 48" available
Grade of Terrain	EW - 15°, Tolerance for Rolling & Undulating Ground
Wind Load	Up to 150 MPH
Snow Load	Up to 60 PSF
Purlin Length	242" (239.1" of useable rail)
Post Spacing	239.1"
Material Composition	Galvanized Steel G-90 Post, Truss & Purlins
Warranty	25 years
Manufacturing	Made in USA



7.8 MW - Edison Landfill
New Jersey



3.2 MW - Hudson Landfill
Massachusetts



2 MW - Maynard Landfill
Massachusetts



1.2 MW - Marysville
Michigan



3.4 MW - Southbridge
Massachusetts

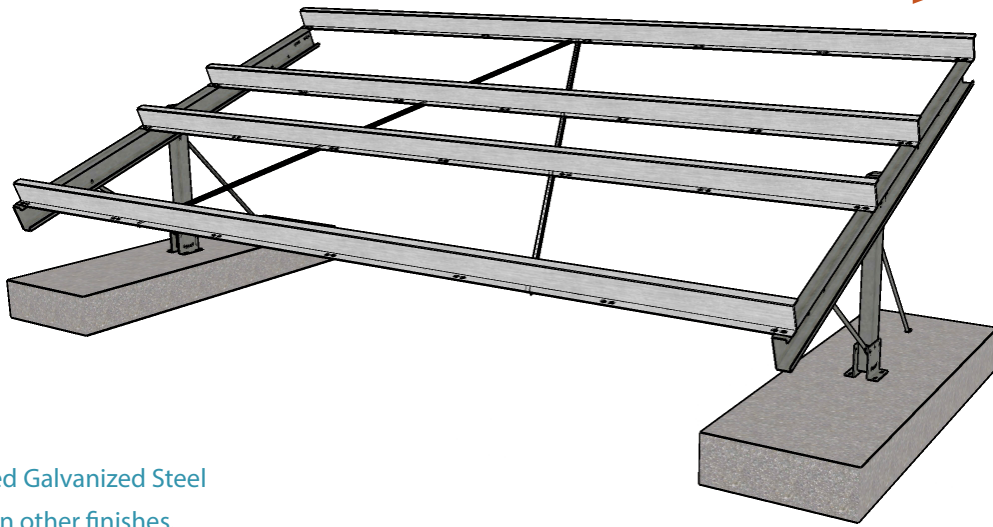


3.1 MW - Bridgewater
New Jersey



25 YEAR
WARRANTY

COMPONENTS



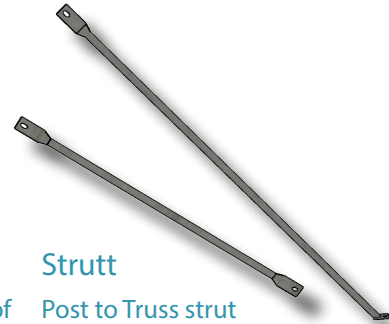
Post

Hot-Dipped Galvanized Steel
Available in other finishes.



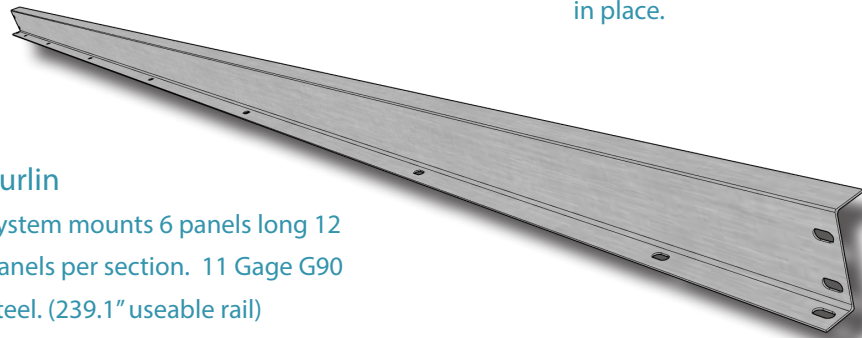
Truss

G-90 Finish with Purlin Mounting Holes and slotted for +/-1" of tolerance.



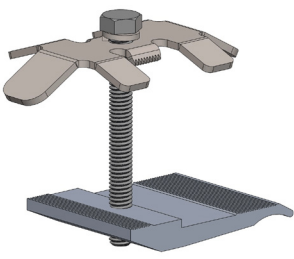
Strutt

Post to Truss strut connection braces truss in place.



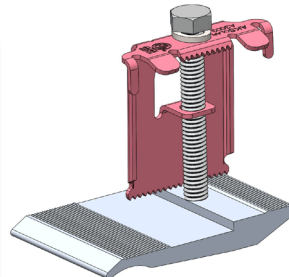
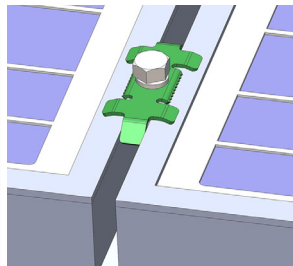
Purlin

System mounts 6 panels long 12 panels per section. 11 Gage G90 Steel. (239.1" useable rail)



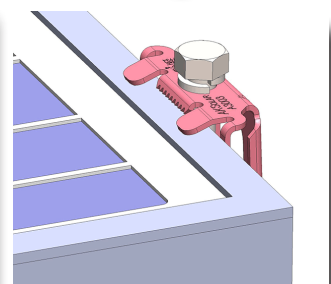
Mid Clamp

Panel to Panel Grounding Mid-Clamp
Recognized to UL 2703 and ETL listed to UL standard 467.



End Clamp

Panel to Purlin Grounding End-Clamp
Recognized to UL 2703 and ETL listed to UL standard 467.



1-844-757-7225

www.SolarMounts.com
300 Woolley | Marshall | MI 49068
info@solargroundmounts.com