

25 YEAR
WARRANTY

Solar Carport Canopies

- Easy & Efficient Installation

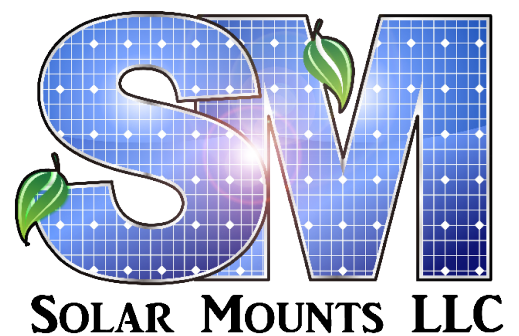
Utility scale solar Carports with reduced components and minimal installation time. Over 30 MW of Solar Carports deployed and a 25 year warranty ensure the lifetime of your array.



The features of our SOLAR CARPORTS

Bolted Foundation for Easy Installation. UL 2703 & 467 grounding washers with bolt through panel attachment. Structure can sustain 130 MPH wind load & 60 PSF snow load.

Call for immediate estimates & layout design assistance from one of our professional sales team.



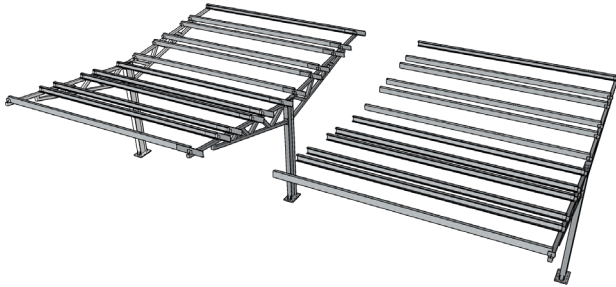
1-844-757-7225

www.SolarMounts.com
300 Woolley | Marshall | MI 49068
info@solargroundmounts.com

TECHNICAL INFORMATION

Start Section

Add Section



Features and benefits

- 4 Components & Minimal Hardware
- Pre Welded tilt angle in truss
- UL 467 & 2703 grounding washer connection
- Pre-punched purlins to panel mounting holes
- Minimal lead times on manufacturing
- PE Stamped drawing provided
- Accomodates difficult terrain

Technical characteristics

Application	Parking Lot, Walkway, Entrance
Foundation	Concrete Pier & I-beam
Modules	Portrait - 6 to 8 high, 8 across
Orientation	(64 panels/section Max)
Module Compatibility	All brands - 60, 72, & 96 Cell
Tilt Angles	7° Standard
Ground Clearance	14' Standard
Grade of Terrain	EW 30° NS 30°
Wind Load	Up to 130 MPH
Snow Load	Up to 60 PSF
Purlin Length	26.5' - 27" Spans
Material Composition	Galvanized Steel G-90 Post, Truss & Purlins
Warranty	25 years
Manufacturing	Made in USA



1.7 MW - Mickleton
New Jersey



1.1 MW - Horsham
pennsylvania



1 MW - Washington
District of Columbia



1.2 MW - East Windsor
Connecticut



560 kW - Somerdale
New Jersey



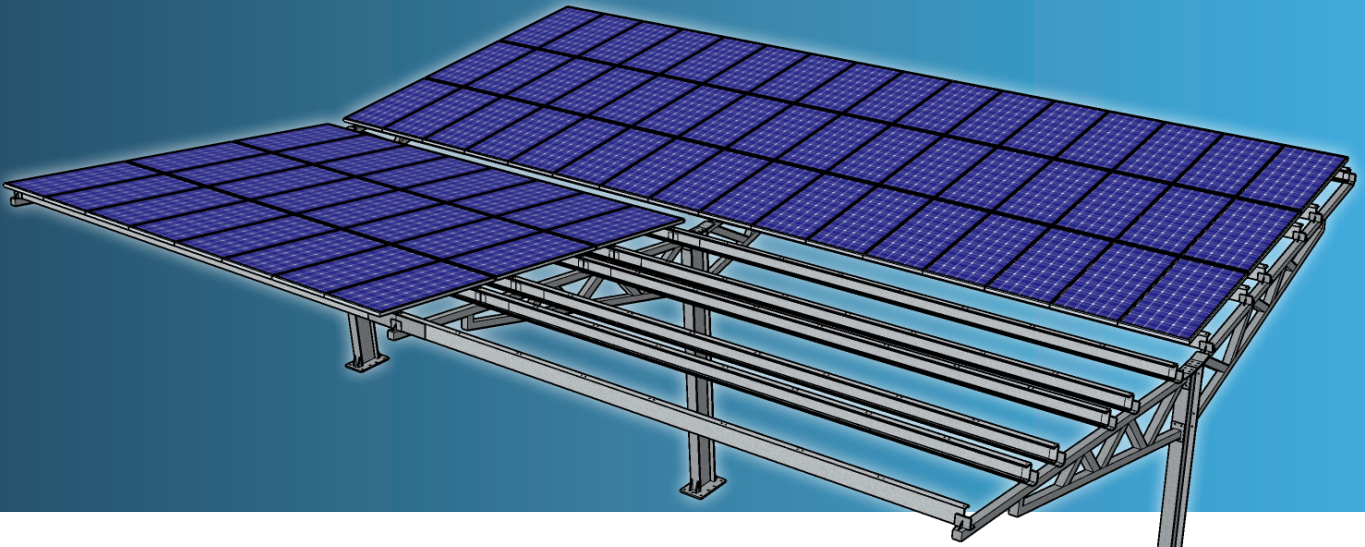
600 kW - Vineland
New Jersey



1-844-757-7225

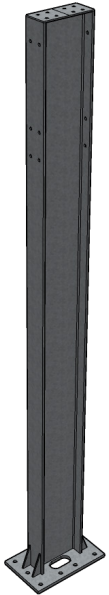
25 YEAR
WARRANTY

TECHNICAL DRAWINGS



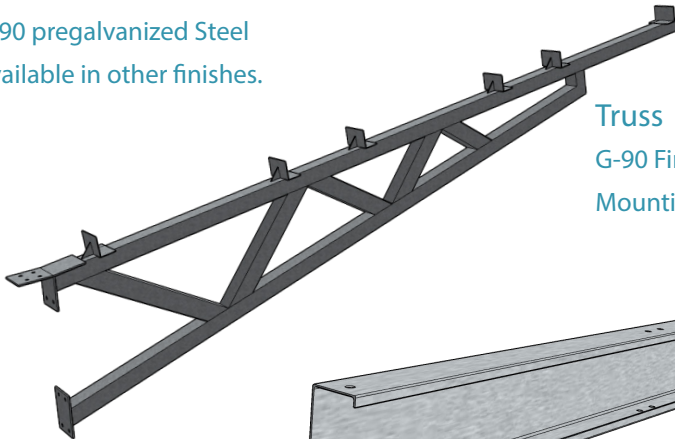
Post

G-90 pregalvanized Steel
Available in other finishes.



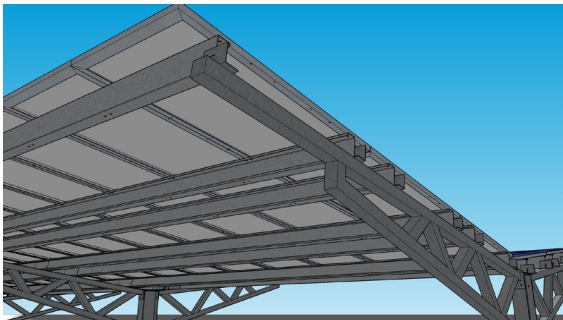
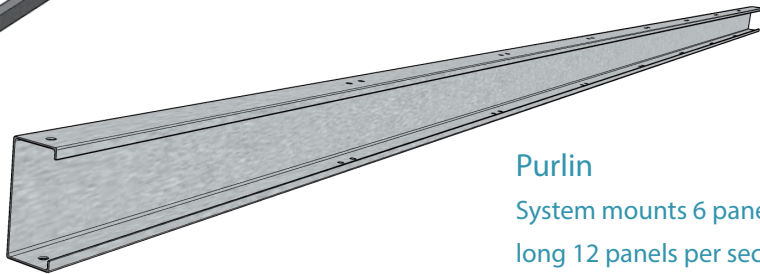
Truss

G-90 Finish with Purlin
Mounting Holes and slotted



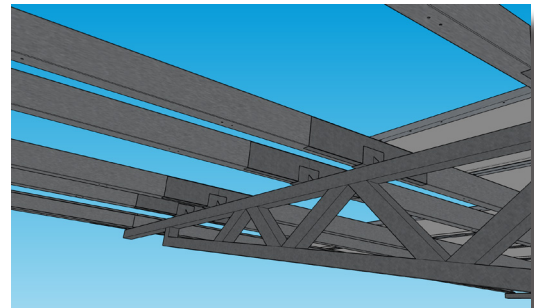
Purlin

System mounts 6 panels
long 12 panels per section.
11 Gage G90 Steel.



Bolted Panel Connection

Panel to Purlin grounding washer
features UL 2703 & UL 467 Certifica-
tion.



L-Plate Purlin Connection

40" L-plate purlin connection over
the truss ensures life long purlin
connection.



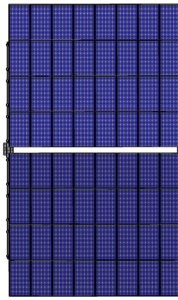
1-844-757-7225

www.SolarMounts.com
300 Woolley | Marshall | MI 49068
info@solargroundmounts.com

LAYOUT CONFIGURATION

25 YEAR WARRANTY

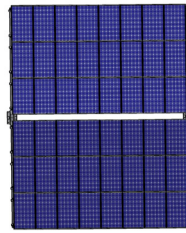
East - West



8x8 Layout

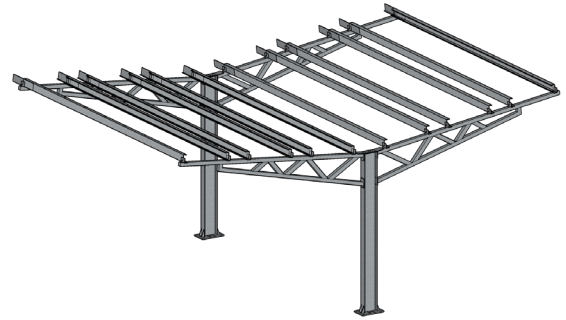
26' - 27' E/W (Post to Post)
51-53' N/S (Span Cover)

North
South

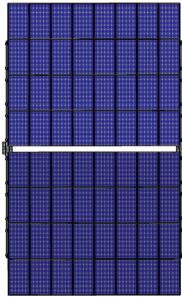


8x6 Layout

26' - 27' E/W (Post to Post)
38' - 42" N/S (Span Cover)

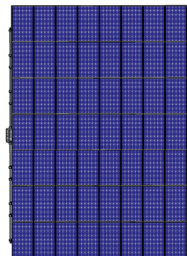


Y FRAME



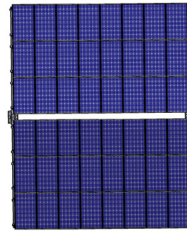
8x8 Layout

26' - 27' E/W (Post to Post)
51-53' N/S (Span Cover)



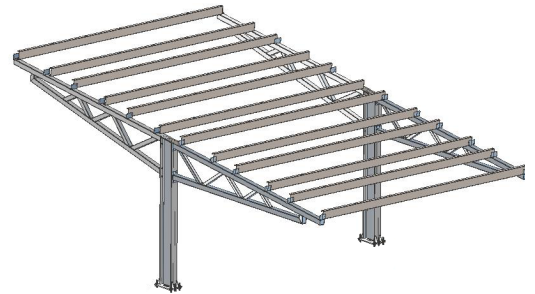
8x7 Layout

26' - 27' E/W (Post to Post)
44' - 46" N/S (Span Cover)

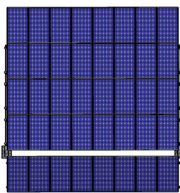


8x6 Layout

26' - 27' E/W (Post to Post)
38' - 42" N/S (Span Cover)

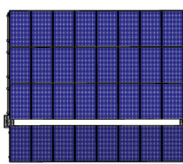


T FRAME



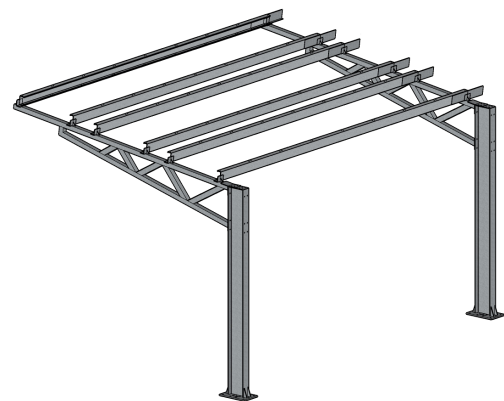
8x5 Layout

26' - 27' E/W (Post to Post)
32' - 35' N/S (Span Cover)

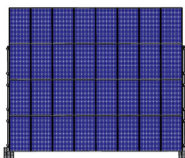


8x4 Layout

26' - 27' E/W (Post to Post)
26-29' N/S (Span Cover)

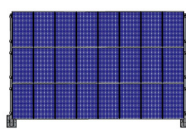


L FRAME



8x4 Layout

26' - 27' E/W (Post to Post)
26 - 29' N/S (Span Cover)



8x3 Layout

26' - 27' E/W (Post to Post)
19' - 21' N/S (Span Cover)



1-844-757-7225

www.SolarMounts.com

300 Woolley | Marshall | MI 49068

info@solargroundmounts.com