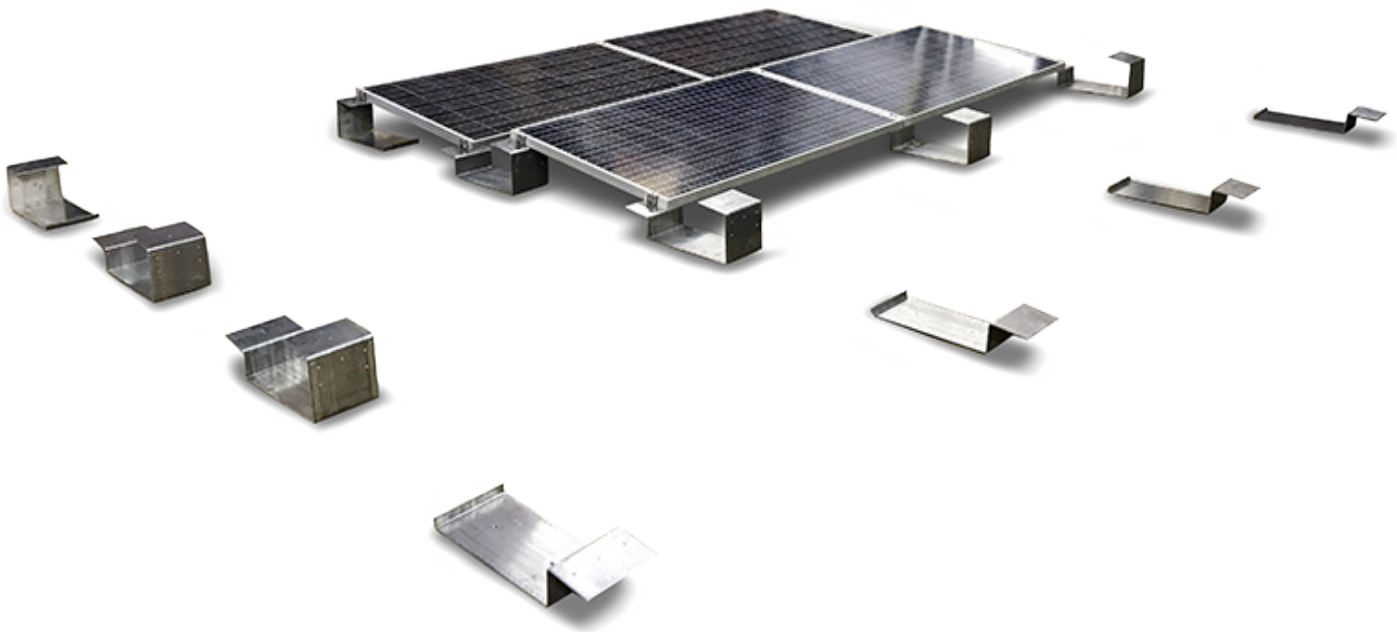


25 YEAR
WARRANTY

Ballasted Solar Mounts - Simple & Efficient

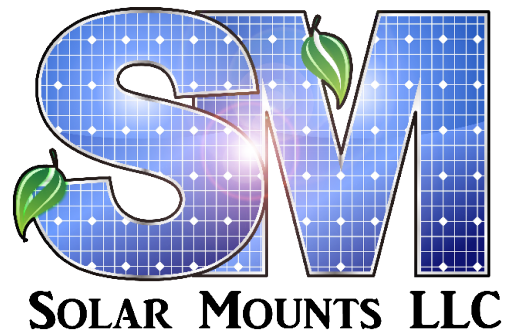
Utility scale ballasted racking with reduced components and minimal installation time. Over a decade of proven reliability and a 25 year warranty to serve the lifetime of your solar array.



The features of our **BALLASTED**

Simple design optimized for efficient shipping and skeleton layout to reduce installation time. The panel attachments feature UL 2703 & 467 grounding top-clamps and can sustain up to 150 MPH windload & 50 PSF snow load.

Call for immediate estimates & layout design assistance



1-844-757-7225

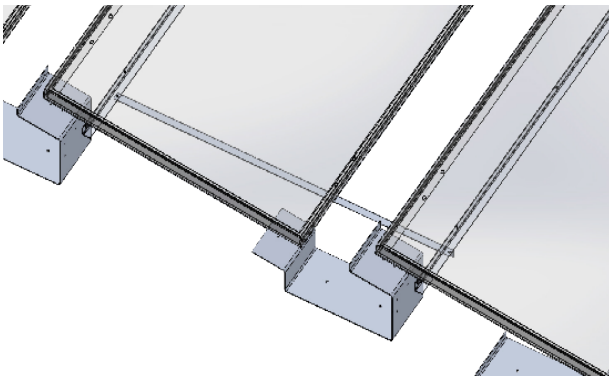
www.SolarMounts.com

300 Woolley | Marshall | MI 49068

info@solargroundmounts.com

25 YEAR
WARRANTY

TECHNICAL INFORMATION

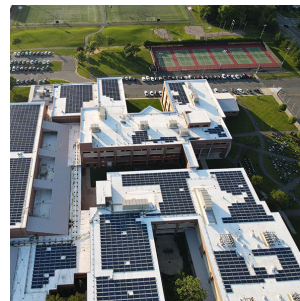


Features and benefits

- 3 Components & Minimal Hardware
- Welded bolt connection for top clamps
- UL 467 & 2703 grounding clamps
- East West wire ways across entire array
- North South wire way home runs
- PE Stamped drawing provided
- Simple skeleton layout before panels

Technical characteristics

Application	Commercial flat roof
Foundation	Ballast tray with concrete blocks
Modules	Landscape
Orientation	
Module Compatibility	All brands - 60, 72, & 96 Cell
Tilt Angles	5° Standard
Ground Clearance	3.75" low side, 8.75" high side
Grade of Terrain	EW/NS - 5° tolerance
Wind Load	Up to 150 MPH
Snow Load	Up to 50 PSF
Base Spacing	base pan center to center = panel length + .4"
Material Composition	Galvanized Steel G-90 Base pans and wire ways.
Warranty	25 years
Manufacturing	Made in USA



500 kW - South Brunswick
New Jersey



600 kW - Patterson HS
New Jersey



550 kW - Howell
New Jersey



280 kW Livingston
New Jersey



320 kW Patterson
New Jersey



430 kW Taunton School
New Jersey



1-844-757-7225

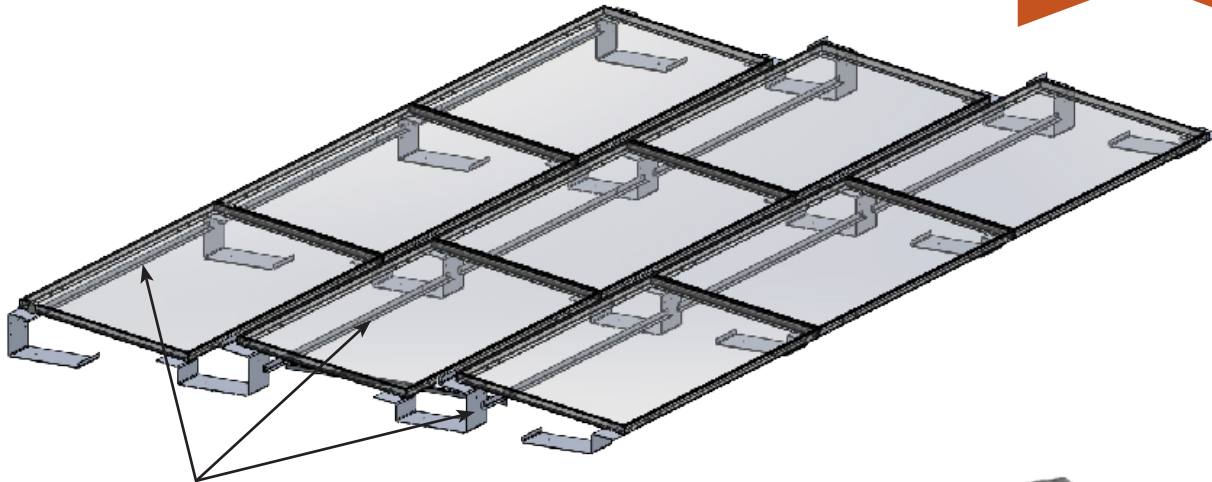
www.SolarMounts.com

300 Woolley | Marshall | MI 49068

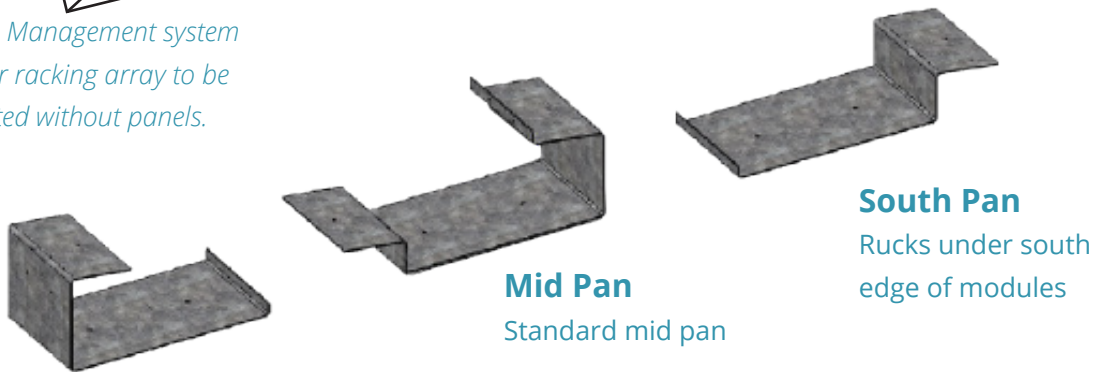
info@solargroundmounts.com

25 YEAR
WARRANTY

COMPONENTS



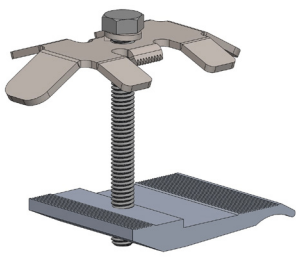
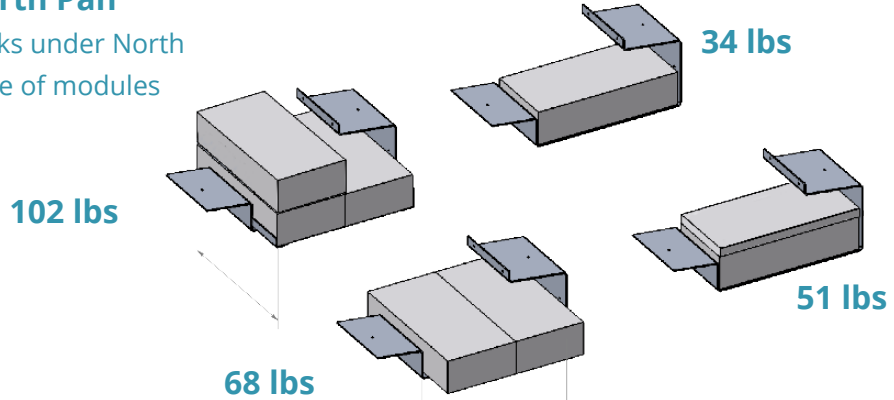
E/W Wire Management system allows for racking array to be constructed without panels.



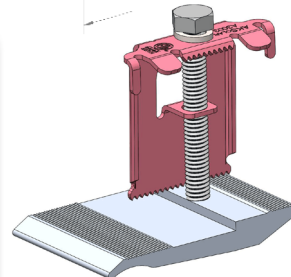
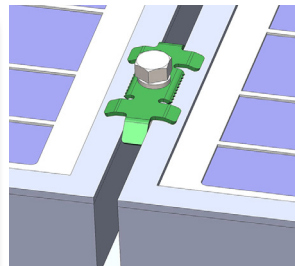
North Pan
Tucks under North edge of modules

Mid Pan
Standard mid pan

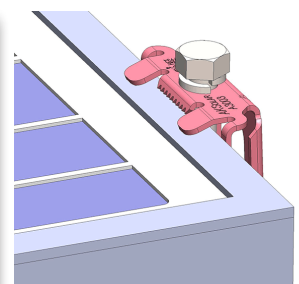
South Pan
Rucks under south edge of modules



Mid Clamp
Panel to Panel Grounding Mid-Clamp
Recognized to UL 2703 and ETL listed to UL standard 467.



End Clamp
Panel to Purlin Grounding End-Clamp
Recognized to UL 2703 and ETL listed to UL standard 467.



1-844-757-7225

www.SolarMounts.com

300 Woolley | Marshall | MI 49068

info@solargroundmounts.com